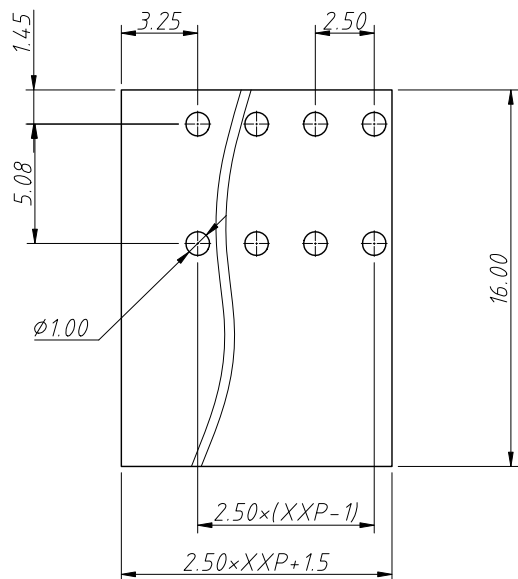
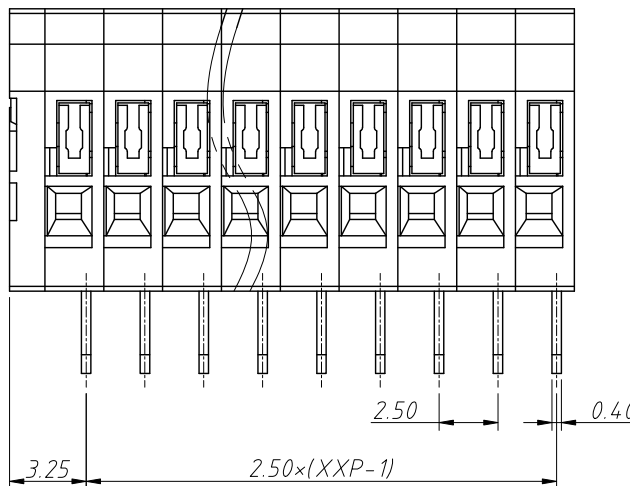


1 RoHS Compliance

REV	SYM	Revision Record	Appr.	Date
V0	KLS02006	New Version Release	WuHao	2024-10-14



Recommended PCB Layout



Electrical Characteristics	UL	IEC
Rated Voltage	150V	130V
Rated Current	5A	6A
Withstand Voltage	AC1250V/1Min	---
Wire Range	26 ~ 20AWG	0.5mm ²

Material and other:

Housing: PA66, UL 94V-0

Pin Header: Brass, Tin Plated

Wire Guard: Stainless steel

Contact Resistance: 20mΩ Max

Insulation Resistance: 500MΩ / DC500V Min

Stripping Length: 12mm

Temp. Range: -40°C ~ +105°C

MAX Soldering: +250°C for 5 Sec

Order Information

L-KLS2-211R-2.50-XXP-1 09

RoHS

Terminal Block

Pitch: 2.50mm

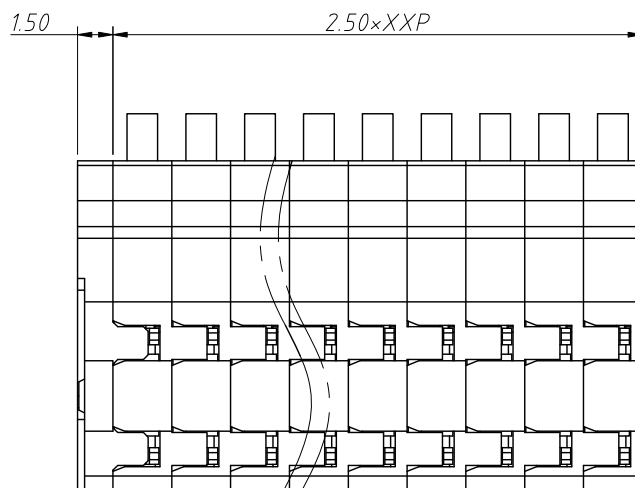
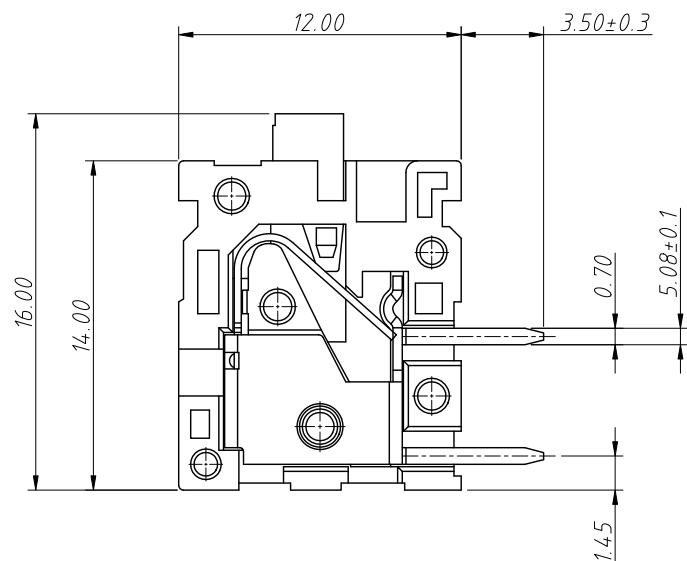
No.: Of Pins (01 ~ XXP)

Color: 1=Gray 2=Blue 3=Black

4=Green 5=Orange 6=Red

7=Transp 8=Yellow 9=White

Product Code: 00 ~ 99



ANGLE TOLERANCE	PROJECTION	Description:
±3°		2.50mm Spring Terminal Blocks
GENERAL TOLERANCE	UNITS	mm
0 ~ 30 ±0.50	SHEET SIZE	A4
30 ~ 60 ±0.75	Draw:	Song
60 ~ 90 ±1.00	Check:	Daniel
KLS P/N:		L-KLS2-211R-2.50-XXP-XXX
KLS ELECTRONIC		NingBo KLS ELECTRONIC CO.,LTD.