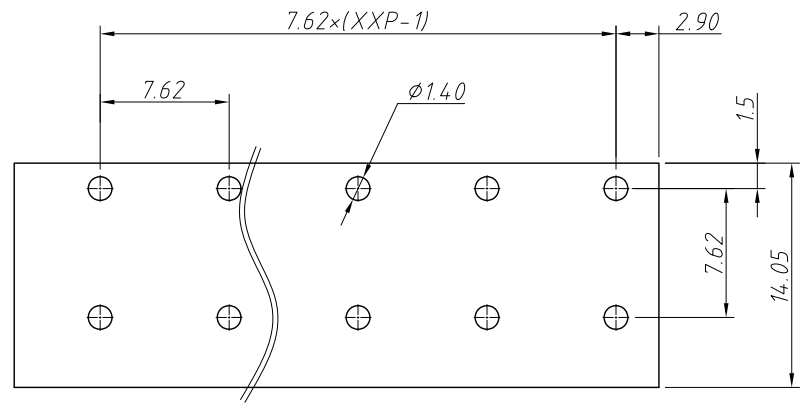
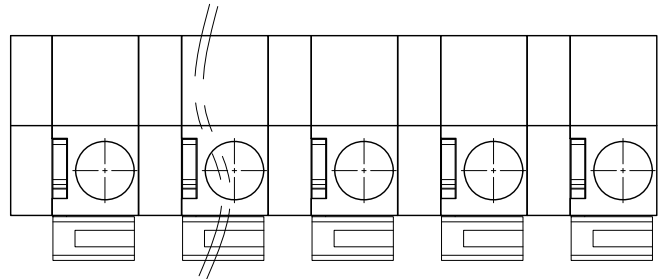


1
RoHS Compliance

REV	SYM	Revision Record	Appr.	Date
V0	KLS02006	New Version Release	Song	2024-08-20

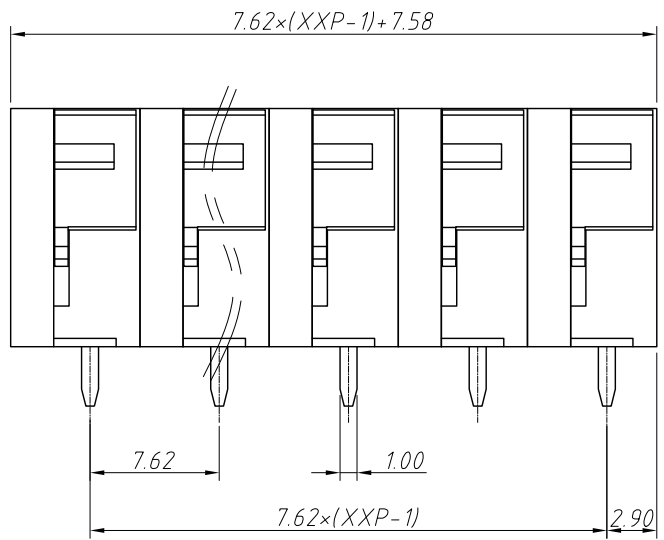
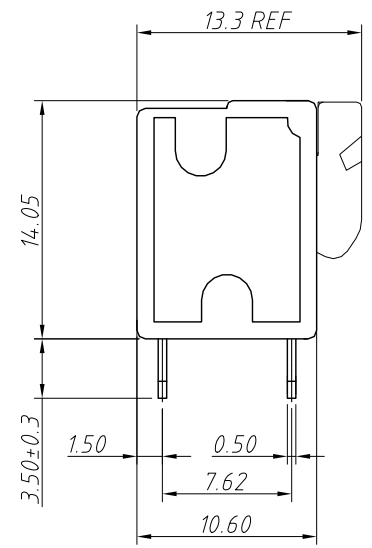


Recommended PCB Layout



Electrical Characteristics	UL	IEC
Rated Voltage	300V	500V
Rated Current	10A	15A
Withstand Voltage	1600V/1 min	6.0KV
Wire Range	24 ~ 14 AWG	0.2 ~ 1.5mm ²

Material and other:
 Housing:PA66, UL94V-0
 Pin Header:Copper Alloy,Sn Plated
 Stripping Length:10mm
 Operating Temperature:-40°C ~ +105°C



Order Information
 L-KLS2-143V-7.62-XXP-X

RoHS
 Terminal Block
 Pitch:7.62mm
 No.:Of (02~24) Pins
 Color:1=Gray 2=Blue 3=Black
 4=Green 5=Orange 6=Red
 7=Transp 8=Yellow 9=White

ANGLE TOLERANCE	PROJECTION	Description:
±3°		7.62mm Spring Terminal Blocks
GENERAL TOLERANCE	UNITS	mm
0~30	±0.50	KLS P/N:
30~60	±0.75	SHEET SIZE
60~90	±1.00	A4
Draw:	Song	2024-08-20
Check:	Daniel	2024-08-20
		L-KLS2-143V-7.62-XXP-X
		NingBo KLS ELECTRONIC CO.,L TD.