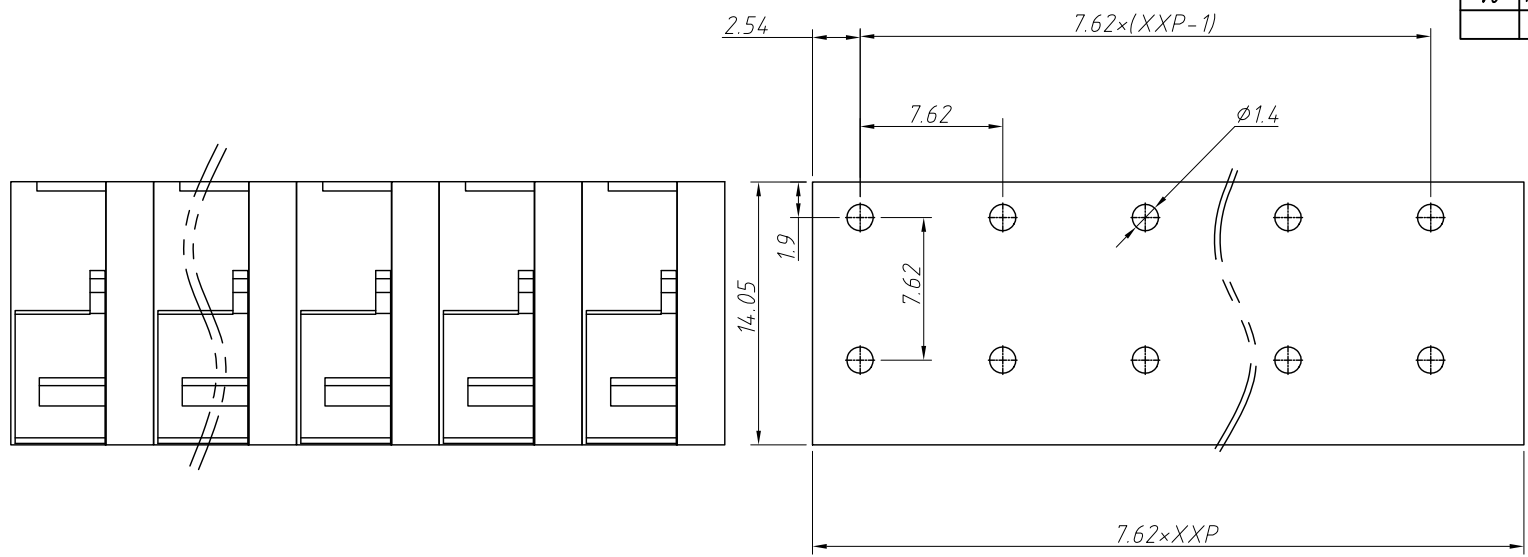


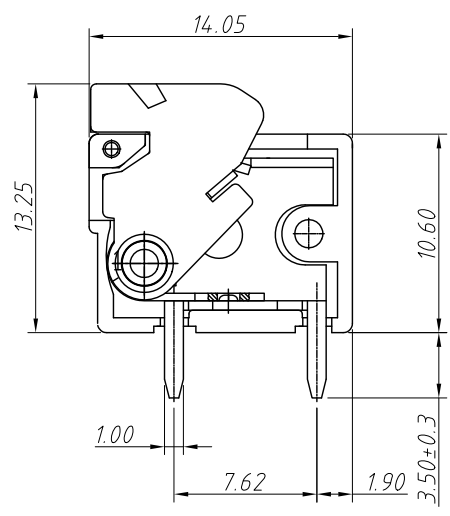
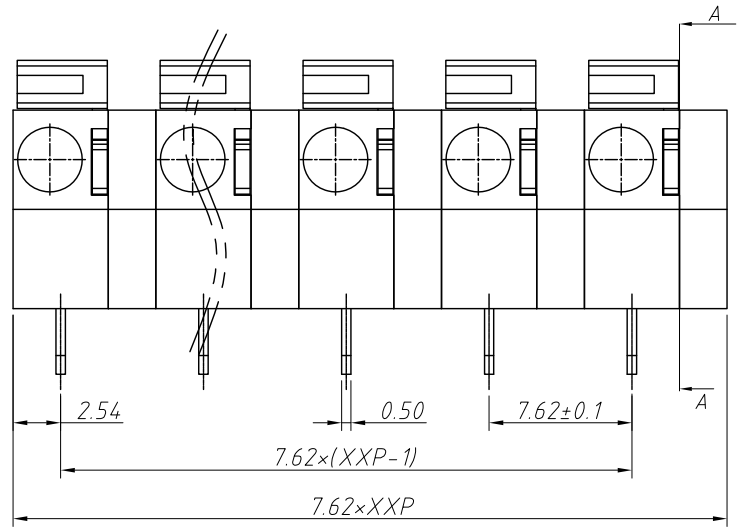
1
RoHS Compliance

REV	SYM	Revision Record	Appr.	Date
V0	KLS02006	New Version Release	Song	2024-08-20



Electrical Characteristics	UL	IEC
Rated Voltage	300V	250V
Rated Current	10A	15A
Withstand Voltage	AC2000V/1 min	---
Wire Range	22~16 AWG	1.0mm ²

Material and other:
 Housing:PA66, UL 94 V-0
 Pin Header:Brass,Tin Plated
 Wire Guard:Stainless Steel
 Contact Resistance:20mΩ
 Insulation Resistance:500MΩ/DC500V
 Stripping Length:10mm
 Temp. Range:-40°C ~ +105°C
 MAX Soldering:250°C±5°C for 5S



Order Information
L-KLS2-143R-7.62-XXP-X

RoHS
 Terminal Block
 Pitch:7.62mm
 No.:Of (1~XX) Pins
 Color:1=Gray 2=Blue 3=Black
 4=Green 5=Orange 6=Red
 7=Transp 8=Yellow 9=White

ANGLE TOLERANCE	PROJECTION	Description:
±3°		7.62mm Spring Terminal Blocks
GENERAL TOLERANCE	UNITS	mm
0~30	±0.50	SHEET SIZE
30~60	±0.75	Draw:
60~90	±1.00	Check:
KLS P/N:		L-KLS2-143R-7.62-XXP-X
KLS ELECTRONIC		NingBo KLS ELECTRONIC CO.,L TD.