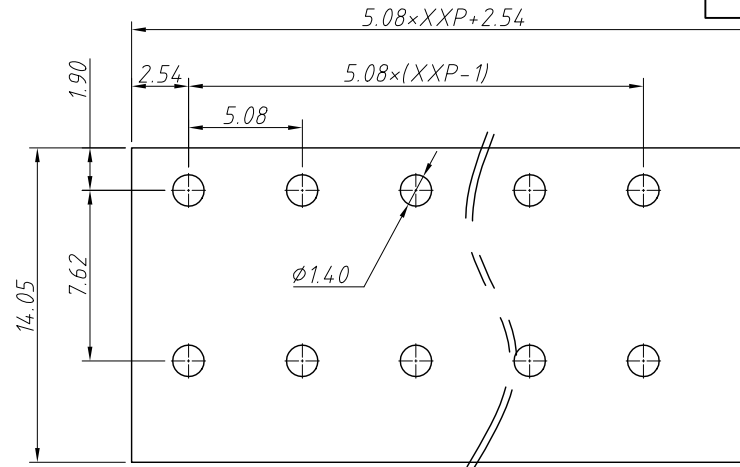
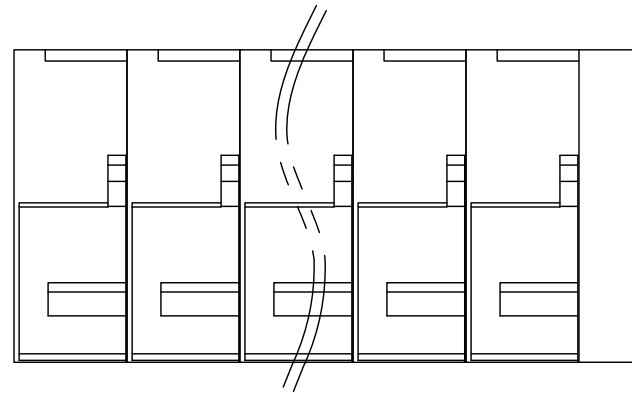
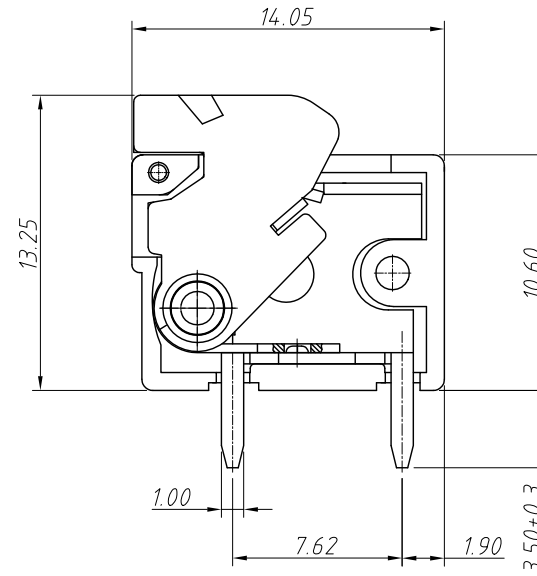
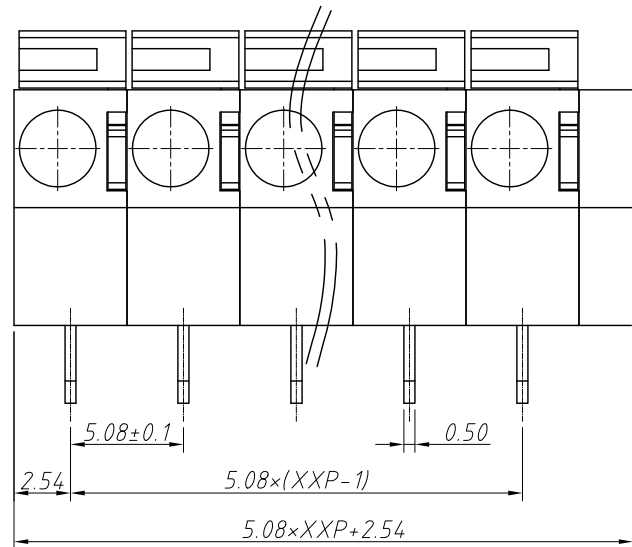


1 RoHS Compliance

REV	SYM	Revision Record	Appr.	Date
V0	KLS02006	New Version Release	Song	2024-08-20



Recommended PCB Layout



Electrical Characteristics	UL	IEC
Rated Voltage	300V	250V
Rated Current	10A	15A
Withstand Voltage	AC2000V/1 min	---
Wire Range	26~16 AWG	1.0mm ²

Material and other:

Housing:PA66, UL94V-0

Pin Header:Brass,Tin Plated

Wire Guard:Stainless Steel

Contact Resistance:20mΩ

Insulation Resistance:500MΩ/DC500V

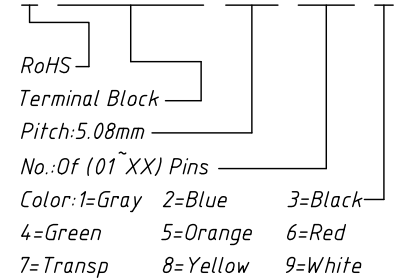
Stripping Length:10mm

Temp. Range:-40°C ~ +105°C

MAX Soldering:250°C±5°C for 5S

Order Information

L-KLS2-142R-5.08-XXP-X



ANGLE TOLERANCE	PROJECTION	Description:	5.08mm Spring Terminal Blocks		
±3°					
GENERAL TOLERANCE	UNITS	mm	KLS P/N:	L-KLS2-142R-5.08-XXP-X	
0~30	±0.50	SHEET SIZE	A4		
30~60	±0.75	Draw:	Song	2024-08-20	
60~90	±1.00	Check:	Daniel	2024-08-20	

NingBo KLS ELECTRONIC CO.,L TD.