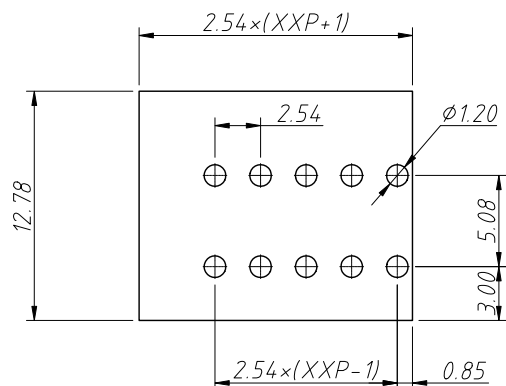
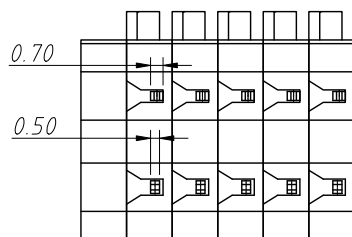
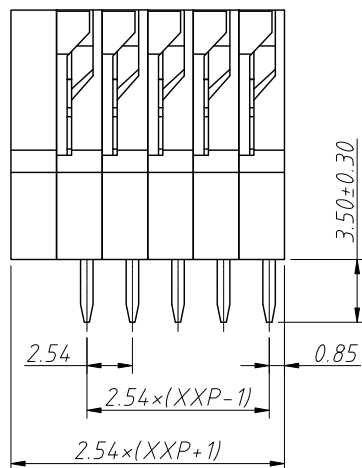
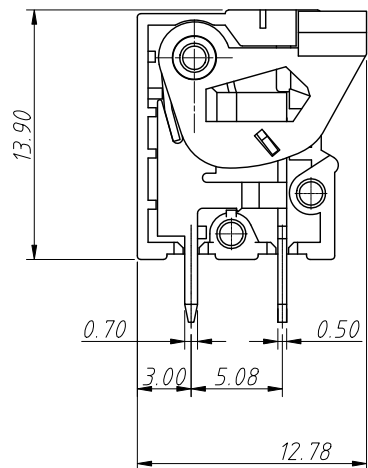
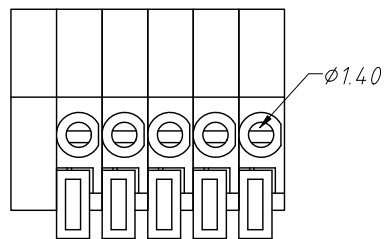


1  
RoHS Compliance

REV	SYM	Revision Record	Appr.	Date
V0	KLS02006	New Version Release	Jenny	2024-08-15



Recommended PCB Layout



Electrical Characteristics	UL	IEC
Rated Voltage	150V	130V
Rated Current	2A	6A
Wire Range	20~26 AWG	0.5mm <sup>2</sup>

Material and other:

Housing:PA66, UL 94 V-0

Pin header:Brass, Tin plated

Wire guard:Stainless steel

Contact resistance:20mΩ

Insulation resistance:500MΩ/DC500V

Withstanding Voltage:AC1300V/1min

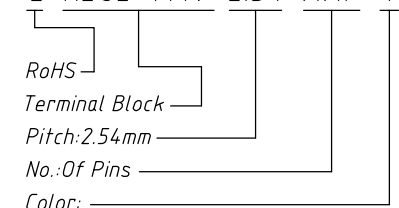
Stripping Length:11mm

Temp. Range:-40°C ~ +105°C

MAX Soldering:250°C±5°C for 5S

Order Information

L-KLS2-141V-2.54-XXP-4



- 1=Gray      2=Blue      3=Black
- 4=Green    5=Orange    6=Red
- 7=Transp   8=Yellow    9=White

ANGLE TOLERANCE	PROJECTION	Description:	2.54mm Spring Terminal Blocks	
±3°				
GENERAL TOLERANCE	UNITS	mm	KLS P/N:	L-KLS2-141V-2.54-XXP-4
0~30	±0.50	SHEET SIZE	A4	
30~60	±0.75	Draw:	Jenny	2024-08-15
60~90	±1.00	Check:	Daniel	2024-08-15



NingBo KLS ELECTRONIC CO.,LTD.