

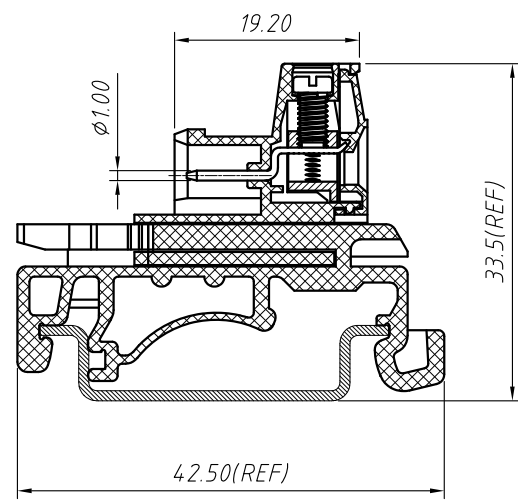
**Material**  
 Housing: PA66, UL94V-0  
 Screws: M3 Steel, Zn plated  
 Pin header: Brass, Tin plated  
 Cage: Brass, Tin plated

**Electrical**  
 Rated voltage: 300V  
 Rated current: 15A  
 Contact Resistance: 20 mΩ  
 Insulation resistance: 500MΩ/DC500V  
 Wire range: 28-14 AWG 2.5mm<sup>2</sup>  
 Withstand voltage: AC2000V / 1 min

**Mechanical**  
 Torque: 0.5NM(4.5Lb.in)  
 Steip length: 7-8mm  
 Temp. Range: -40 °C ~ +105 °C

**Order Information**

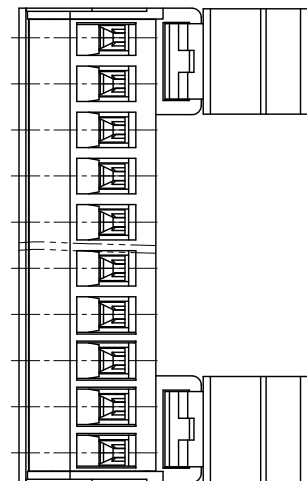
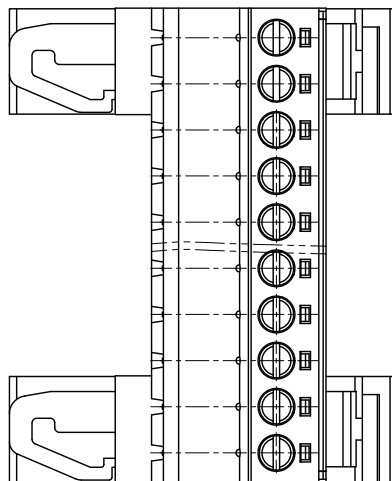
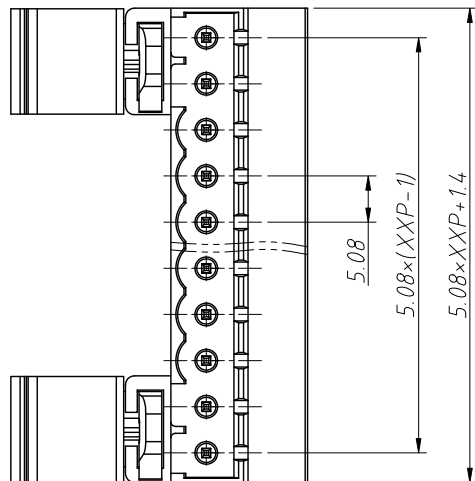
L-KLS2-DGNU-5.00-XXP-4 S 00  
 RoHS-  
 Terminal Block  
 Pitch  
 No.: of Pole  
 Color: 4- Green  
 Screw: S-Slot Screw C-Cross Screw  
 Product Code: 00~99



GENERAL TOLERANCE		ANGLE TOLERANCE		Description:	
X. ±0.60		X. ±5°		Pluggable Terminal Block 5.00MM	
.X ±0.38		.X ±3°		KLS P/N:	KLS2-DGNU-5.00-XXP-4S-00
.XX ±0.25		.XX ±2°			
Draw by	2015-09-01	PROJECTION		NingBo KLS ELECTRONIC CO.,L TD.	
Check by	2015-09-15	UNITS	mm		
SCALE		SHEET SIZE	A4		

1  
RoHS Compliance

7		8		
REV	SYM	Revision Record	Appr.	Date
V0	KLS02006	New Version Release	WuHao	2024-10-28



Electrical Characteristics	UL	IEC
Rated Voltage	300V	450V
Rated Current	15A	20A
Withstand Voltage	AC2000V/1 min	---
Wire Range	28~14 AWG	2.5mm <sup>2</sup>

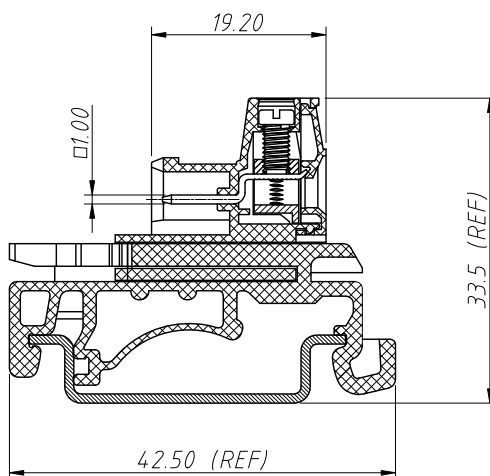
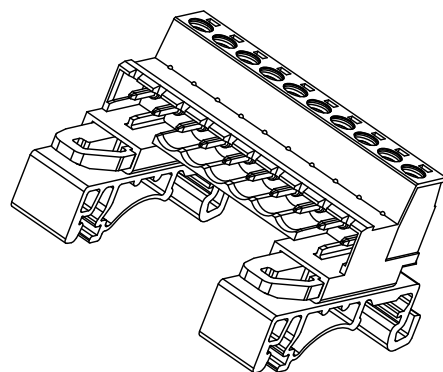
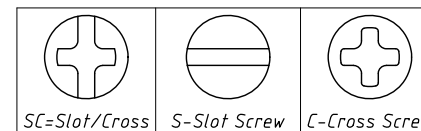
Material and other:

Housing:PA66, UL 94V-0 Cage:Brass,Ni Plated  
 Pin Header:Brass,Tin Plated  
 Screw/Torque:Steel,M3,Zn Plated/0.5N.m  
 Contact Resistance:20mΩ Max  
 Insulation Resistance:500MΩ/DC500V Min  
 Stripping Length:7~8mm  
 Temp. Range:-40°C ~ +105°C

Order Information

L-KLS2-DGNU-5.08-XXP-X X

RoHS  
 Terminal Block  
 Pitch:5.08mm  
 No.:Of (06~24) Pin  
 Color:  
 1=Gray 2=Blue 3=Black  
 4=Green 5=Orange 6=Red  
 7=Transp 8=Yellow 9=White  
 Screw:SC=Slot/Cross  
 S-Slot Screw C-Cross Screw



ANGLE TOLERANCE	PROJECTION	Description:
±3°		Pitch 5.08mm Terminal Block
GENERAL TOLERANCE	UNITS	mm
0~30 ±0.50	SHEET SIZE	A4
30~60 ±0.75	Draw:	WuHao 2024-10-28
60~90 ±1.00	Check:	Daniel 2024-10-28
		NingBo KLS ELECTRONIC CO.,L TD.