

1
RoHS Compliance

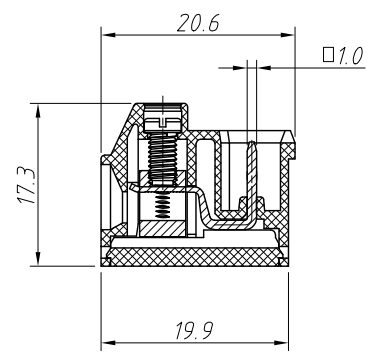
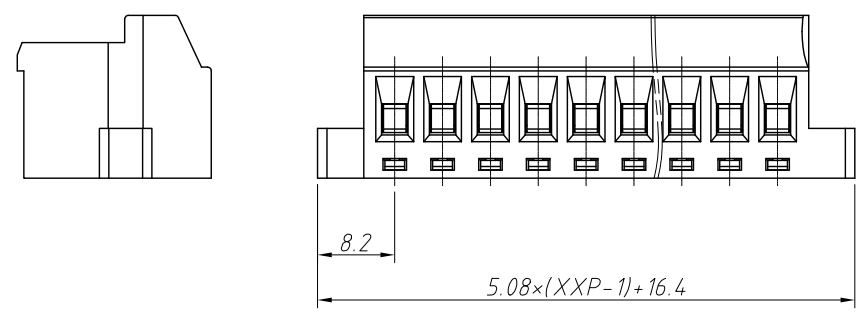
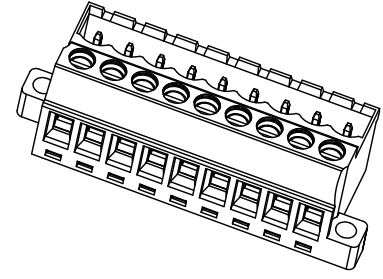
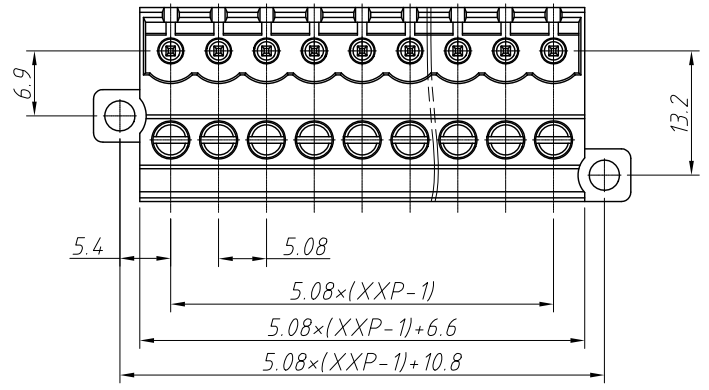
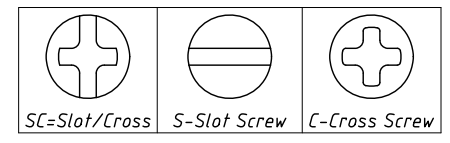
6	7	8
REV	SYM	Revision Record
V0	KLS02006	New Version Release
		Appr.
		WuHao
		Date
		2024-11-07

Electrical Characteristics	UL	IEC
Rated Voltage	300V	450V
Rated Current	15A	20A
Withstand Voltage	AC2000V/1 min	---
Wire Range	28~14 AWG	2.5mm ²

Material and other:
 Housing:PA66, UL 94V-0
 Pin Header/Cage:Brass,Ni Plated
 Screw/Torque:Steel,M3,Zn Plated/0.5N.m
 Contact resistance:20mΩ MAX
 Insulation resistance:500MΩ/DC500V
 Stripping Length:7~8mm
 Temp.Range:-40°C ~ +105°C

Order Information
 L-KLS2-UHK-5.08-XXP-X X

RoHS
 Terminal Block
 Pitch:5.08mm
 No.:Of (02~24) Pin
 Color:1=Gray 2=Blue 3=Black
 4=Green 5=Orange 6=Red
 7=Transp 8=Yellow 9=White
 Screw:SC=Slot/Cross
 S-Slot Screw C-Cross Screw



ANGLE TOLERANCE	PROJECTION	Description:
±3°		Pitch 5.08mm Terminal Block
GENERAL TOLERANCE	UNITS	KLS P/N:
0~30 ±0.50	mm	L-KLS2-UHK-5.08-XXP-XX
30~60 ±0.75	SHEET SIZE	
60~90 ±1.00	A4	
	Draw:	WuHao 2024-11-07
	Check:	Daniel 2024-11-07

