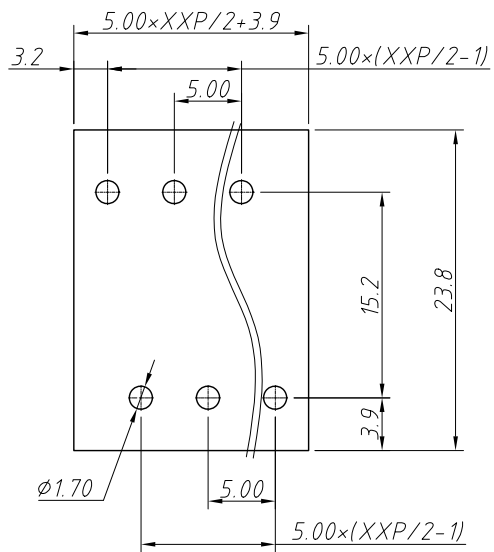
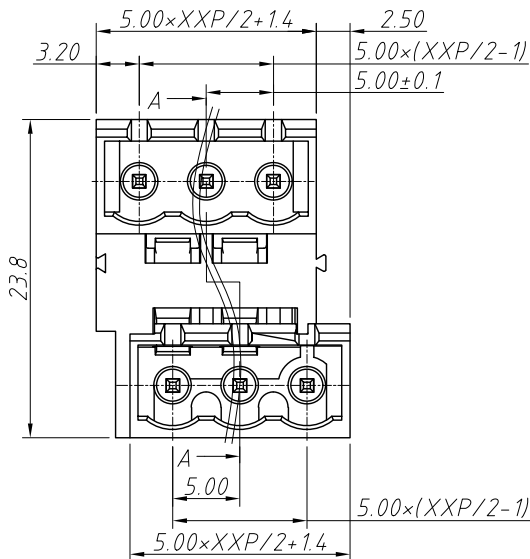
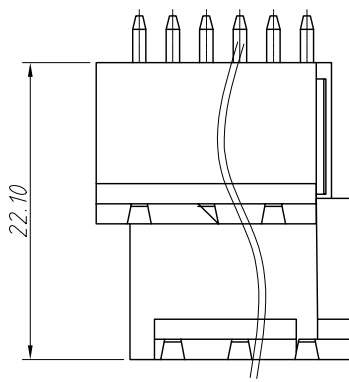
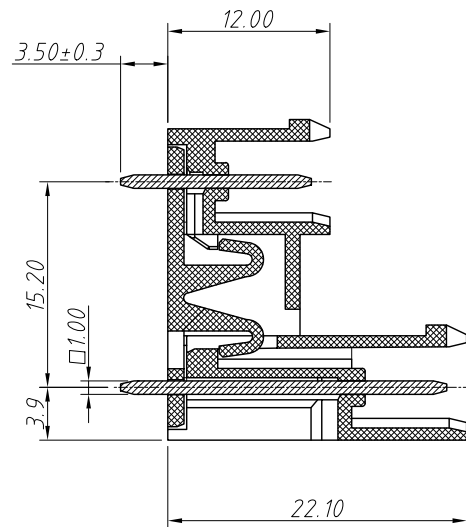


1 RoHS Compliance



Recommended PCB Layout



| | | | | | | | | | | | | | | | |
|----------------------------|----------|---------------------|--|---|--|---------------|------------|---|--|---|--|---|--|---|--|
| 1 | | 2 | | 3 | | 4 | | 5 | | 6 | | 7 | | 8 | |
| REV | SYM | Revision Record | | | | Appr. | Date | | | | | | | | |
| V0 | KLS02006 | New Version Release | | | | WuHao | 2024-10-30 | | | | | | | | |
| Electrical Characteristics | | | | | | UL | IEC | | | | | | | | |
| Rated Voltage | | | | | | 300V | 450V | | | | | | | | |
| Rated Current | | | | | | 15A | 17.5A | | | | | | | | |
| Withstand Voltage | | | | | | AC2000V/1 min | --- | | | | | | | | |

Material and other:
 Housing: PA66, UL 94V-0
 Pin Header: Copper Alloy, Tin Plated
 Temp. Range: -40°C ~ +105°C
 Soldering: +250°C For 5 Sec Max

Order Information
L-KLS2-EDCVC-5.00-XXP-X

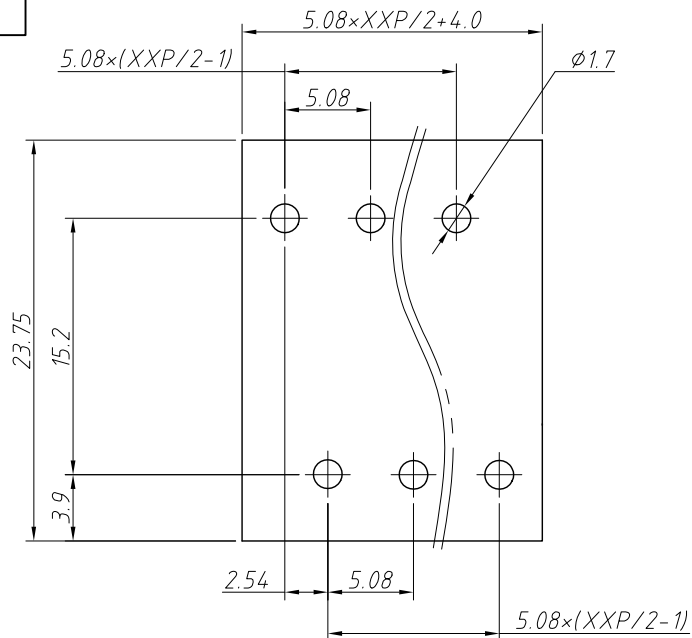
RoHS-
 Terminal Block
 Pitch: 5.00mm
 No.: Of (04 ~ 06) Pin
 Color:

1=Gray 2=Blue 3=Black
 4=Green 5=Orange 6=Red
 7=Transp 8=Yellow 9=White

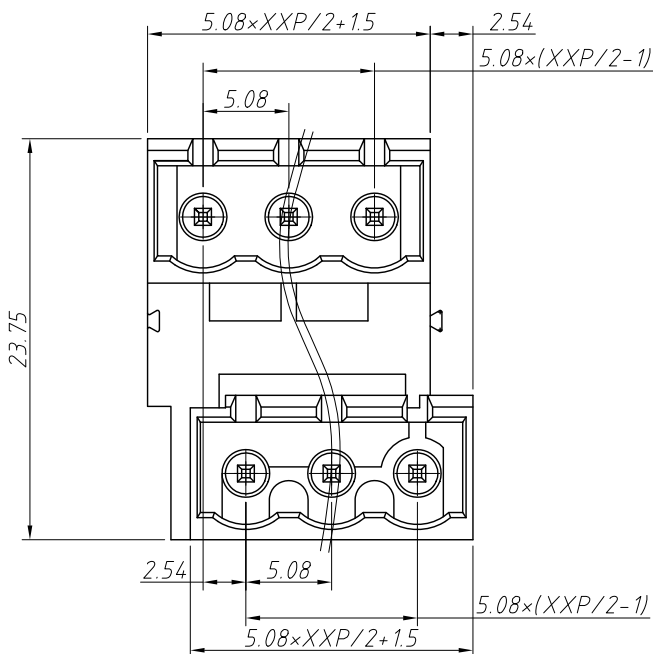
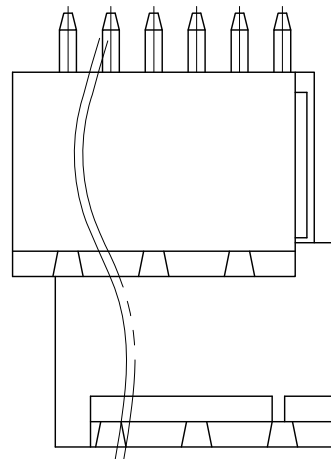
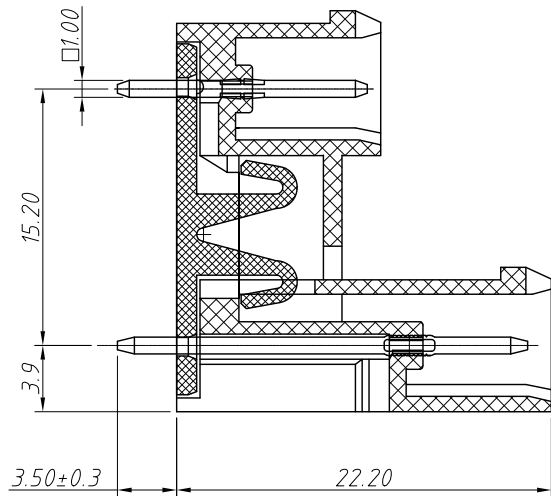
| | | | | | |
|-------------------|------------|-----------------------------|----------|------------|-------------------------|
| ANGLE TOLERANCE | PROJECTION | Description: | | | |
| ±3° | | Pitch 5.00mm Terminal Block | | | |
| GENERAL TOLERANCE | UNITS | mm | KLS P/N: | | L-KLS2-EDCVC-5.00-XXP-X |
| 0 ~ 30 | ±0.50 | SHEET SIZE | A4 | | |
| 30 ~ 60 | ±0.75 | Draw: | WuHao | 2024-10-30 | |
| 60 ~ 90 | ±1.00 | Check: | Daniel | 2024-10-30 | |

NingBo KLS ELECTRONIC CO.,LTD.

1 RoHS Compliance



Recommended PCB Layout



| | | | | |
|-----|----------|---------------------|-------|------------|
| REV | SYM | Revision Record | Appr. | Date |
| V0 | KLS02006 | New Version Release | WuHao | 2024-10-30 |

| | | |
|----------------------------|---------------|-------|
| Electrical Characteristics | UL | IEC |
| Rated Voltage | 300V | 450V |
| Rated Current | 15A | 17.5A |
| Withstand Voltage | AC2000V/1 min | --- |

Material and other:
 Housing:PA66, UL 94V-0
 Pin Header:Brass, Tin Plated
 Temp.Range:-40°C ~ +105°C
 Soldering:+250°C For 5 Sec Max

Order Information

L-KLS2-EDCVC-5.08-XXP-X

RoHS
 Terminal Block
 Pitch:5.08mm
 No.:Of (04~06) Pin
 Color:
 1=Gray 2=Blue 3=Black
 4=Green 5=Orange 6=Red
 7=Transp 8=Yellow 9=White

| | | |
|-------------------|--------------------------|-----------------------------|
| ANGLE TOLERANCE | PROJECTION | Description: |
| ±3° | | Pitch 5.08mm Terminal Block |
| GENERAL TOLERANCE | UNITS | mm |
| 0~30 | ±0.50 | SHEET SIZE |
| 30~60 | ±0.75 | A4 |
| 60~90 | ±1.00 | Draw: WuHao 2024-10-30 |
| | Check: Daniel 2024-10-30 | |



NingBo KLS ELECTRONIC CO.,L TD.