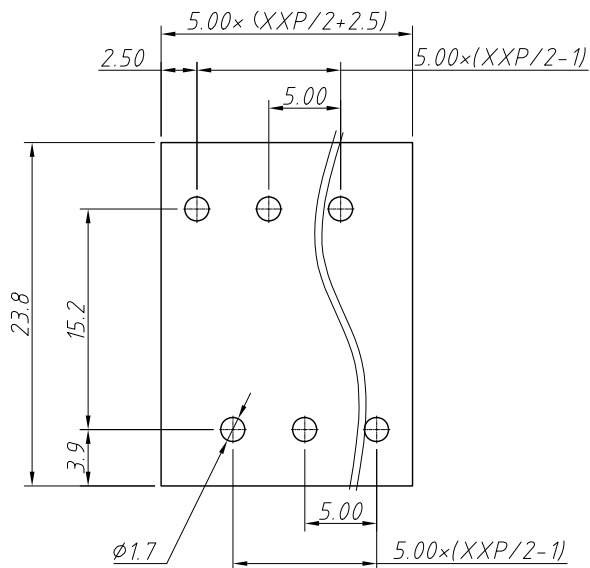
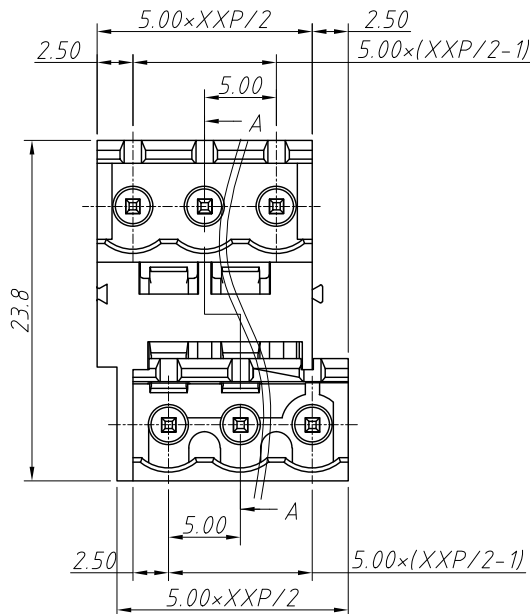
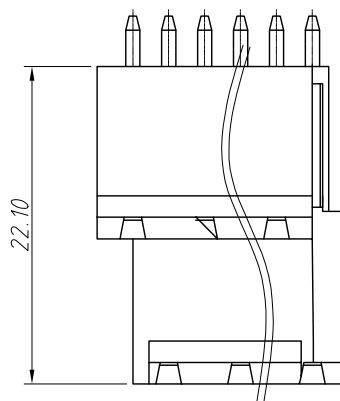
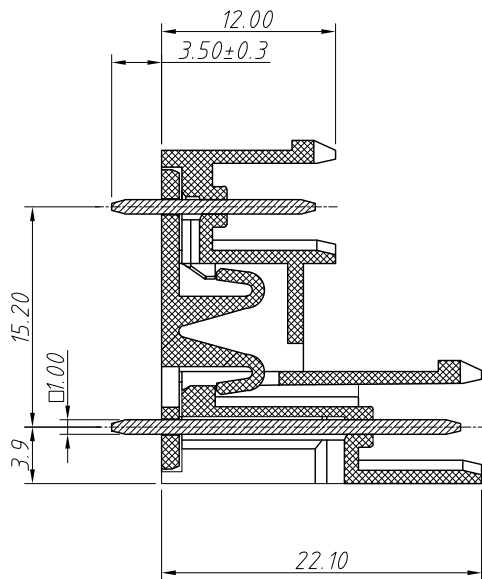


1 RoHS Compliance



Recommended PCB Layout



REV	SYM	Revision Record	Appr.	Date
V0	KLS02006	New Version Release	WuHao	2024-10-30

Electrical Characteristics	UL	IEC
Rated Voltage	300V	450V
Rated Current	15A	17.5A
Withstand Voltage	AC2000V/1 min	---

Material and other:
 Housing:PA66, UL 94V-0
 Pin Header:Copper Alloy,Sn Plated
 Temp.Range:-40°C ~ +105°C
 Soldering:+250°C For 5 Sec Max

Order Information

L-KLS2-EDCV-5.00-XXP-X

RoHS
 Terminal Block
 Pitch:5.00mm
 No.:Of (04~48) Pin
 Color:
 1=Gray 2=Blue 3=Black
 4=Green 5=Orange 6=Red
 7=Transp 8=Yellow 9=White

ANGLE TOLERANCE	PROJECTION	Description:
±3°		Pitch 5.00mm Terminal Block
GENERAL TOLERANCE	UNITS	mm
0~30	±0.50	SHEET SIZE
30~60	±0.75	Draw:
60~90	±1.00	Check:
		KLS P/N:
		L-KLS2-EDCV-5.00-XXP-X
		WuHao 2024-10-30
		Daniel 2024-10-30



NingBo KLS ELECTRONIC CO.,LTD.

1 RoHS Compliance

A

B

C

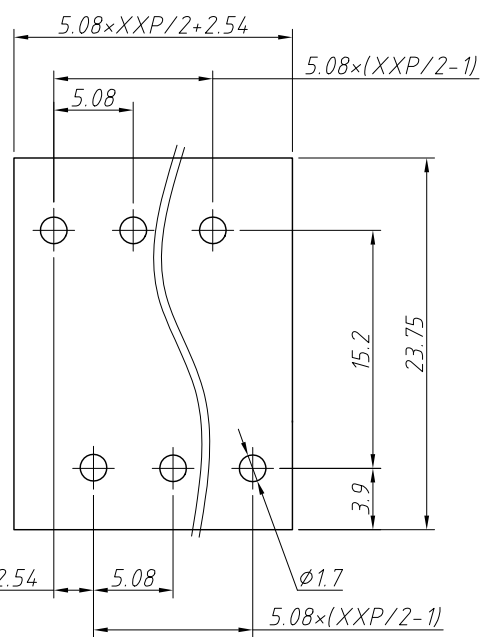
D

E

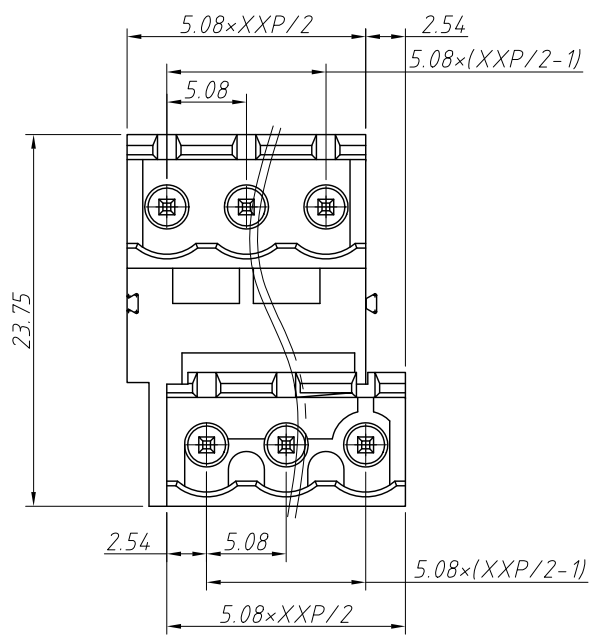
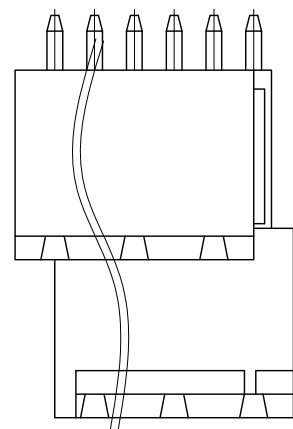
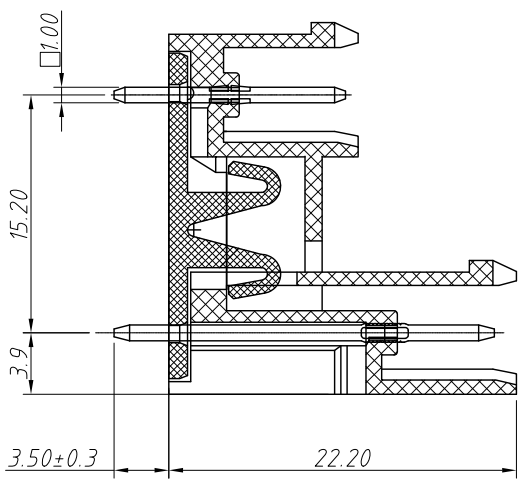
F

G

H



Recommended PCB Layout



6		7		8	
REV	SYM	Revision Record		Appr.	Date
V0	KLS02006	New Version Release		WuHao	2024-10-30

Electrical Characteristics	UL	IEC
Rated Voltage	300V	450V
Rated Current	15A	17.5A
Withstand Voltage	AC2000V/1 min	---

Material and other:
 Housing:PA66, UL 94V-0
 Pin Header:Brass, Tin Plated
 Temp.Range:-40°C ~ +105°C
 Soldering:+250°C For 5 Sec Max

Order Information

L-KLS2-EDCV-5.08-XXP-X

RoHS
 Terminal Block
 Pitch:5.08mm
 No.:Of (04~48) Pin
 Color:
 1=Gray 2=Blue 3=Black
 4=Green 5=Orange 6=Red
 7=Transp 8=Yellow 9=White

ANGLE TOLERANCE	PROJECTION	Description:			
±3°		Pitch 5.08mm Terminal Block			
GENERAL TOLERANCE	UNITS	mm	KLS P/N:	L-KLS2-EDCV-5.08-XXP-X	
0~30	±0.50	SHEET SIZE	A4		
30~60	±0.75	Draw:	WuHao	2024-10-30	
60~90	±1.00	Check:	Daniel	2024-10-30	

KLS NingBo KLS ELECTRONIC CO.,L TD.