

TOLERANCES EXCEPT AS NOTED

Material  
 Housing: PA66, UL94V-0  
 Pin header: Brass, Tin plated

Electrical  
 Rated voltage: 300V  
 Rated current: 15A  
 Contact Resistance: 20 mΩ  
 Insulation resistance: 500MΩ/DC500V  
 Withstand voltage: AC2000V / 1 min

Mechanical  
 Temp. Range: -40 °C ~ +105 °C

Order Information

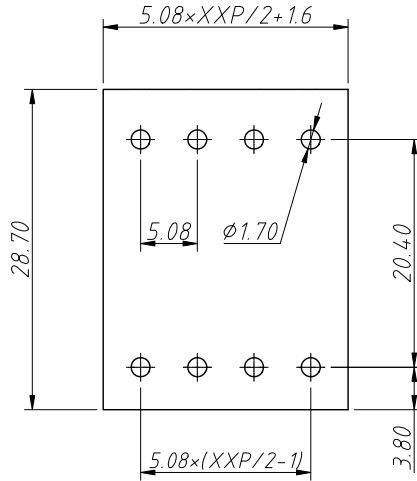
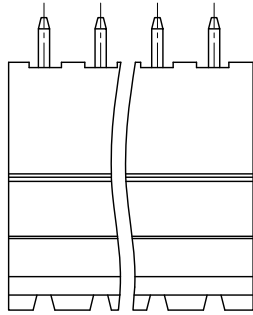
L-KLS2-EDDV-5.00-XXP-4 00

RoHS  
 Terminal Block  
 Pitch  
 No.: of Pole  
 Color: 4- Green  
 Product Code: 00 ~ 99

GENERAL TOLERANCE		ANGLE TOLERANCE		Description:	
X. ±0.60		X. ±5°		Pluggable Terminal Block 5.00MM	
.X ±0.38		.X ±3°		KLS P/N:	KLS2-EDDV-5.00-XXP-4-00
.XX ±0.25		.XX ±2°			
Draw by	2015-09-01	PROJECTION		NingBo KLS ELECTRONIC CO.,L TD.	
Check by	2015-09-15	UNITS	mm		
SCALE		SHEET SIZE	A4		

1  
RoHS Compliance

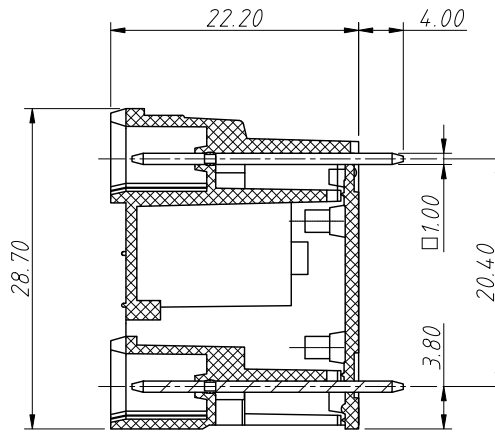
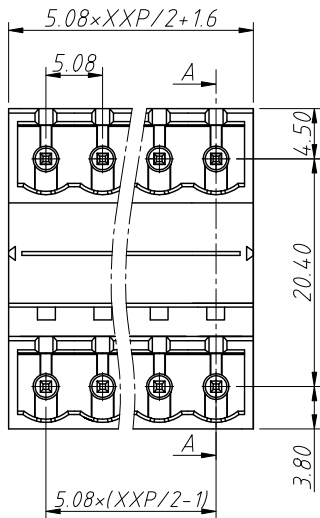
6	7	8
REV	SYM	Revision Record
V0	KLS02006	New Version Release
		Appr.
		Jenny
		Date
		2024-10-29



Recommended PCB Layout

Electrical Characteristics	UL	IEC
Rated Voltage	300V	450V
Rated Current	15A	17.5A
Withstand Voltage	1250V / 1 min	---

Material and other:  
 Housing: PA66, UL 94 V-0  
 Pin header: Brass, Tin Plated  
 Contact resistance: 20mΩ  
 Insulation resistance: 500MΩ/DC500V  
 Temp. Range: -40°C ~ +105°C  
 Soldering: +250°C for 5 Sec



A-A

Order Information  
 L-KLS2-EDDV-5.08-XXP-X  
 RoHS  
 Terminal Block  
 Pitch: 5.08mm  
 No.: Of (04 ~ 48) Pin  
 Color:  
 1=Gray    2=Blue    3=Black  
 4=Green    5=Orange    6=Red  
 7=Transp    8=Yellow    9=White

ANGLE TOLERANCE	PROJECTION	Description:
±3°		Pitch 5.08mm Terminal Block
GENERAL TOLERANCE	UNITS	KLS P/N:
0 ~ 30 ±0.50	mm	L-KLS2-EDDV-5.08-XXP-X
30 ~ 60 ±0.75	SHEET SIZE	
60 ~ 90 ±1.00	A4	
	Draw:	Jenny 2024-10-29
	Check:	Daniel 2024-10-29



NingBo KLS ELECTRONIC CO.,L TD.