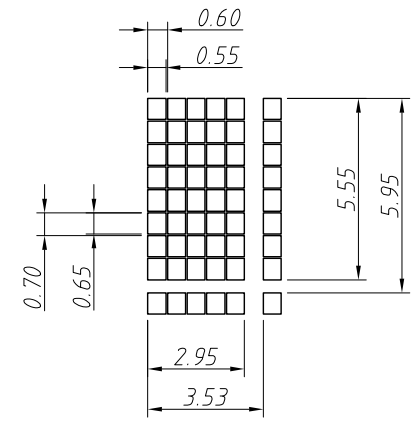
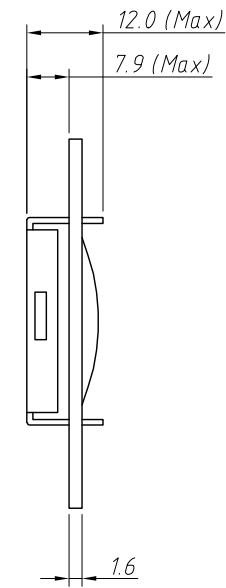
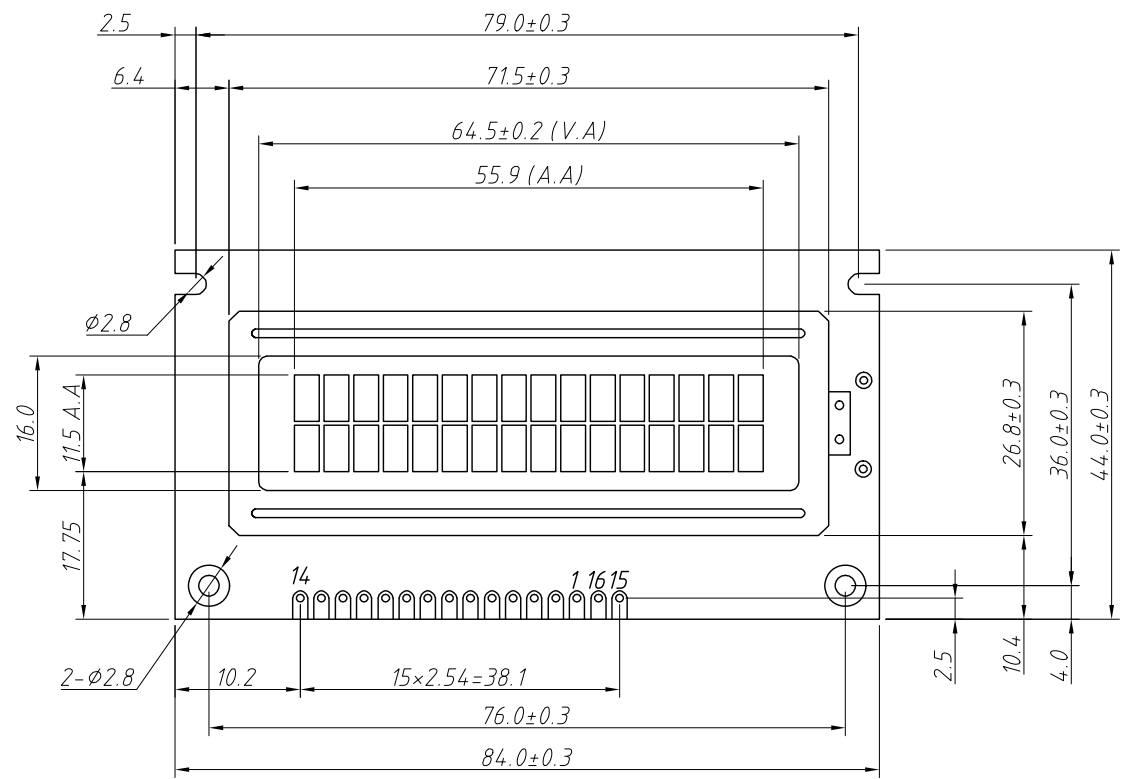


1
RoHS Compliance

6	7	8
REV	SYM	Revision Record
V0	KLS09032	New Version Release
		Appr.
		WuHao
		Date
		2024-12-02



1	2	3	4	5	6	7	8	9	10	11	12	13	14	15	16
VSS	VDD	V0	RS	R/W	E	DB0	DB1	DB2	DB3	DB4	DB5	DB6	DB7	K-	A+

LED Type

LED Color	Black Light
Yellow Green	LED/Yellow Green/3.1 V (20mA Max)

ANGLE TOLERANCE	PROJECTION	Description:
±3°		LED Digital Display
GENERAL TOLERANCE	UNITS	KLS P/N:
.x ±0.30	SHEET SIZE	L-KLS9-1602E-YG
.xx ±0.20	Draw:	NingBo KLS ELECTRONIC CO.,L TD.
.xxx ±0.10	Check:	WuHao 2024-12-02
		Daniel 2024-12-02

REV	SYM	Revision Record	Appr.	Date
V0	KLS09032	New Version Release	WuHao	2024-12-02

Absolute Maximum Ratings

Item	Symbol	Min	Max	Unit
Supply Voltage (Logic)	Vdd-Vss	-0.3	7.0	V
Supply Voltage (LED)	Vdd-V0	-0.3	5.0	V
Input Voltage	Vi	-0.3	Vdd+0.3	V
Operating Temp.	Topr	-20	70	°C
Storage Temp.	Tstg	-30	80	°C

Mechanical Data

Item	Max	Unit
Module Size (W×H×T)	84.0×44.0×12.0	mm
Viewing Area (W×H)	64.5×16.0	mm
Character Size (W×H)	2.95×5.55	mm
Dot Size (W×H)	0.55×0.65	mm
View Angle	6 O'Clock	--

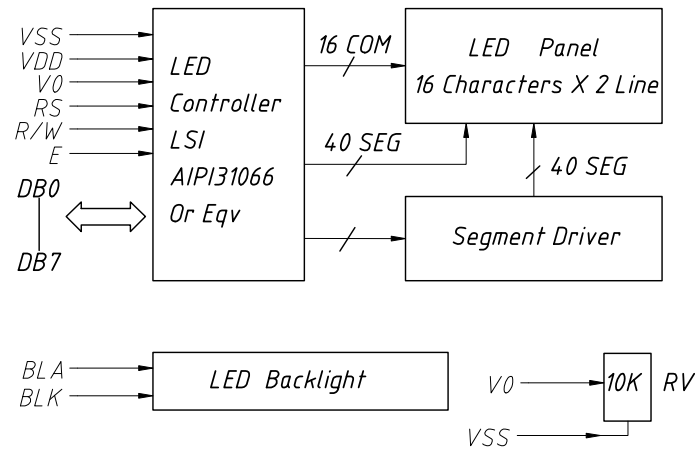
Electrical Characteristics (Vdd=5V±0.25V)

Item	Symbol	Test Condition	Max	Typ.	Max	Unit
Input High Voltage	Vih	---	2.0	---	Vdd	V
Input Low Voltage	Vil	---	-0.3	---	0.8	V
Output High Voltage	Voh	Ioh=-0.2mA	2.4	---	Vdd	V
Output Low Voltage	Vol	Iol=-1.6mA	0	---	0.4	V
Supply Current	Idd	Vdd=5.0V	---	1.5	3.0	mA
LED Driving Voltage	Vdd-V0	Ta=25°C	---	4.7	---	V

Pin Connections

Pin	Symbol	Level	Function
1	VSS	0V	Power GND
2	VDD	+5V	Power Supply For Logic
3	V0	---	Operation Voltage For LED
4	RS	H/L	H:Data L:Instruction Code
5	R/W	H/L	H:Read L:Write
6	E	H/L	Enable Signal
7	DB 0	H/L	Data Bus Line
8	DB 1	H/L	
9	DB 2	H/L	
10	DB 3	H/L	
11	DB 4	H/L	
12	DB 5	H/L	
13	DB 6	H/L	
14	DB 7	H/L	
15	BLK	0V	Power Supply For LED Backlight
16	BLA	+5V	

Block Diagram



ANGLE TOLERANCE	PROJECTION	Description:		
±3°		LED Digital Display		
GENERAL TOLERANCE	UNITS	mm	KLS P/N:	L-KLS9-1602E-YG
.x ±0.30	SHEET SIZE	A4	2/2	NingBo KLS ELECTRONIC CO.,L TD.
.xx ±0.20	Draw:	WuHao	2024-12-02	
.xxx ±0.10	Check:	Daniel	2024-12-02	