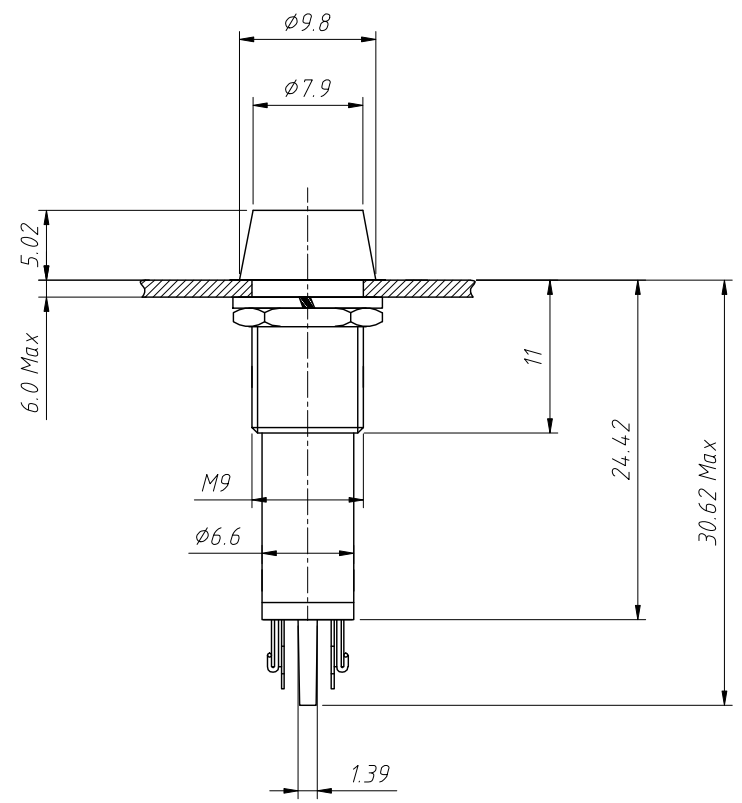


1  
RoHS Compliance

6		7		8	
REV	SYM	Revision Record		Appr.	Date
V0	KLS07070	New Version Release		Jenny	2024-12-06



Specification:  
 Colloid: ABS  
 Shell: Copper, Nickel plated  
 Use voltage: 120V  
 Mounting Hole:  $\phi 9$ mm  
 Emitting colors: Red, Green, Yellow

Order Information:  
 KLS9-IL-M9-03A-X  
 Function: \_\_\_\_\_  
 R = Red Lamp  
 Y = Yellow Lamp  
 G = Green Lamp

ANGLE TOLERANCE	PROJECTION	Description:			
$\pm 3^\circ$		LED Indicator Light			
GENERAL TOLERANCE	UNITS	mm	KLS P/N:		
x.x $\pm 0.30$	SHEET SIZE	A4	KLS9-IL-M9-03A		
x.xx $\pm 0.20$	Draw:	Jenny	2024-12-06	NingBo KLS ELECTRONIC CO.,L TD.	
x.xxx $\pm 0.10$	Check:	Daniel	2024-12-06		