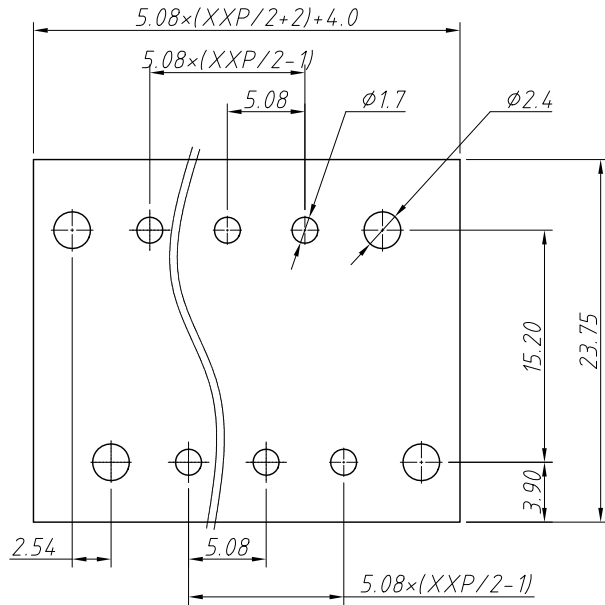
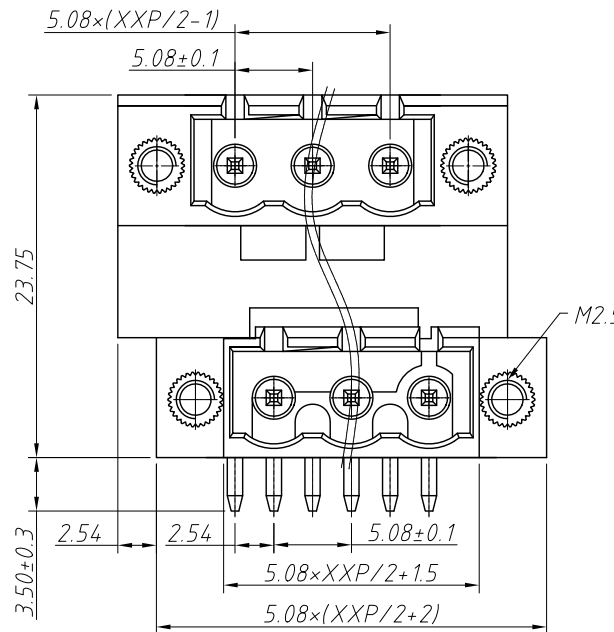
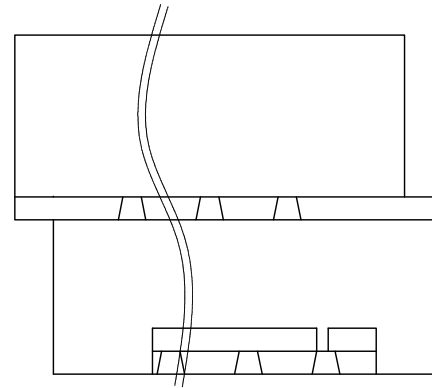
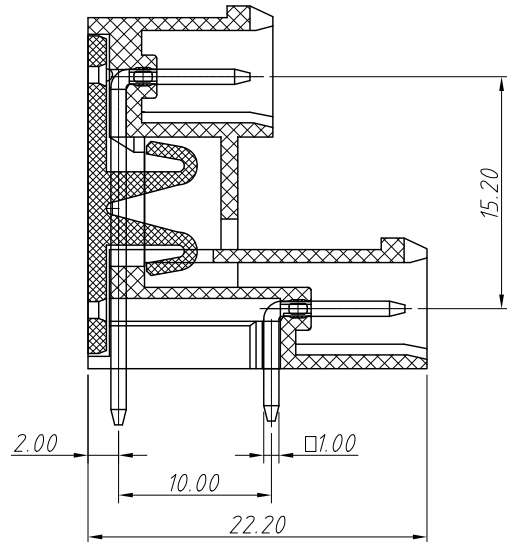


RoHS Compliance



Recommended PCB Layout



REV	SYM	Revision Record	Appr.	Date
V0	KLS02006	New Version Release	WuHao	2024-10-29
Electrical Characteristics		UL	IEC	
Rated Voltage		300V	450V	
Rated Current		15A	17.5A	
Withstand Voltage		AC2000V/1 min	---	

Material and other:  
 Housing:PA66, UL 94V-0  
 Pin Header:Brass, Tin Plated  
 Nut:Brass  
 Temp.Range:-40°C ~ +105°C  
 Soldering:+250°C For 5 Sec Max


Order Information

L-KLS2-EDCRM-5.08-XXP-4 09

RoHS  
 Terminal Block  
 Pitch:5.08mm  
 No.:Of (04~06) Pin  
 Color:  
 1=Gray    2=Blue    3=Black  
 4=Green    5=Orange    6=Red  
 7=Transp    8=Yellow    9=White  
 Product Code:00~99

ANGLE TOLERANCE	PROJECTION	Description:	
±3°		Pitch 5.08mm Terminal Block	
GENERAL TOLERANCE	UNITS	mm	KLS P/N:
0~30	±0.50	SHEET SIZE	A4
30~60	±0.75	Draw:	WuHao 2024-10-29
60~90	±1.00	Check:	Daniel 2024-10-29

L-KLS2-EDCRM-5.08-XXP-409



NingBo KLS ELECTRONIC CO.,LTD.