

SECTION A-A

TOLERANCES EXCEPT AS NOTED

Material
 Housing: PA66, UL94V-0
 Pin header: Brass, Tin plated

Electrical
 Rated voltage: 300V
 Rated current: 15A
 Contact Resistance: 20 mΩ
 Insulation resistance: 500MΩ/DC500V
 Withstand voltage: AC2000V / 1 min

Mechanical
 Temp. Range: -40 °C ~ +105 °C

Order Information

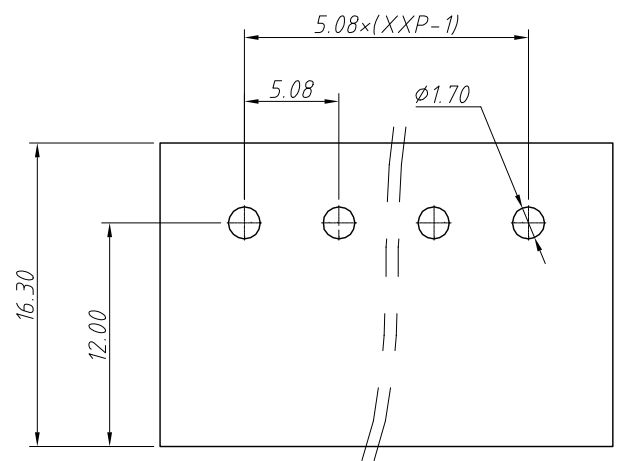
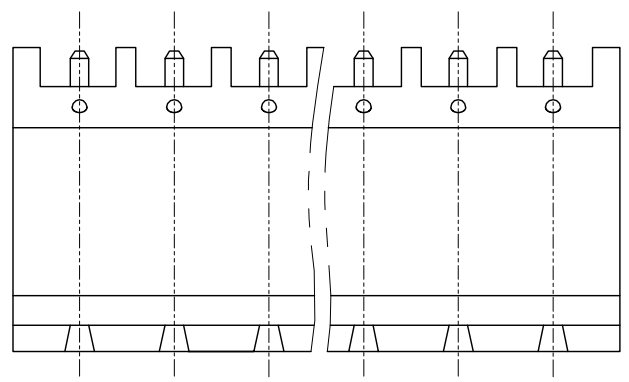
L-KLS2-EDCY-5.00-XXP-4 00
 RoHS
 Terminal Block
 Pitch
 No.: of Pole
 Color: 4- Green
 Product Code: 00~99

GENERAL TOLERANCE		ANGLE TOLERANCE		Description:	
X. ±0.60		X. ±5°		Pluggable Terminal Block 5.00MM	
.X ±0.38		.X ±3°		KLS P/N:	KLS2-EDCY-5.00-XXP-4-00
.XX ±0.25		.XX ±2°			
Draw by	2015-09-01	PROJECTION			NingBo KLS ELECTRONIC CO.,L TD.
Check by	2015-09-15	UNITS	mm		
SCALE		SHEET SIZE	A4		

1
RoHS Compliance

6		7		8	
REV	SYM	Revision Record		Appr.	Date
V0	KLS02006	New Version Release		WuHao	2024-10-30

B

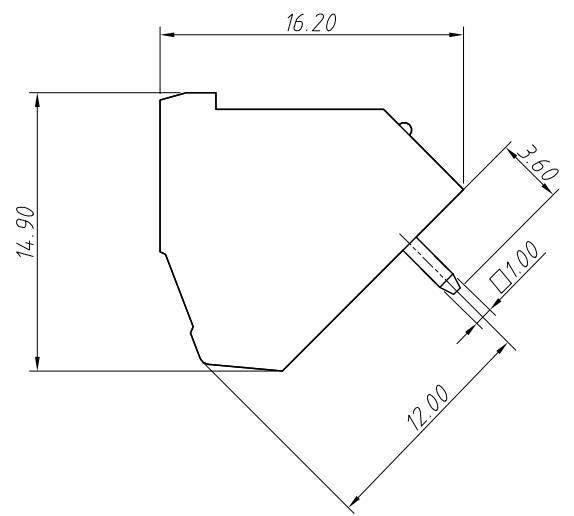
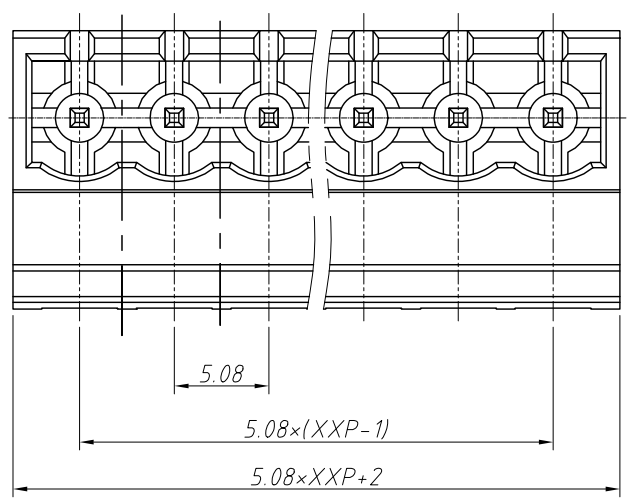


Recommended PCB Layout

Electrical Characteristics	UL	IEC
Rated Voltage	300V	250V
Rated Current	15A	12A
Withstand Voltage	1600V/1 min	4.0 KV

Material and other:
 Housing:PA66, UL 94V-0
 Pin Header:Copper Alloy,Sn Plated
 Operating Temperature:-40°C ~ +105°C
 Soldering Temperature:+260°C For 5 Sec Max

E



Order Information
L-KLS2-EDCY-5.08-XXP-X

RoHS
 Terminal Block
 Pitch:5.08mm
 No.:Of (02~24) Pin
 Color:

1=Gray 2=Blue 3=Black
 4=Green 5=Orange 6=Red
 7=Transp 8=Yellow 9=White

H

ANGLE TOLERANCE	PROJECTION	Description:			
±3°		Pitch 5.08mm Terminal Block			
GENERAL TOLERANCE	UNITS	mm	KLS P/N:	L-KLS2-EDCY-5.08-XXP-X	
0~30	±0.50	SHEET SIZE	A4		
30~60	±0.75	Draw:	WuHao	2024-10-30	
60~90	±1.00	Check:	Daniel	2024-10-30	

NingBo KLS ELECTRONIC CO.,L TD.