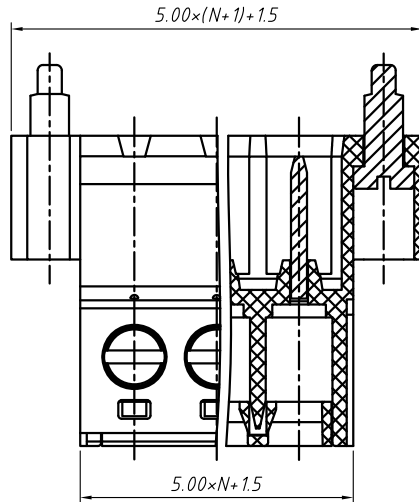


SECTION: A-A



SECTION: B-B

Material
 Housing: PA66, UL94V-0
 Screws: M3.0, Steel, Zinc plated
 Pin header: Brass, Tin plated
 Clamp: Brass, Ni plated

Electrical
 Rated voltage: 300V
 Rated current: 15A
 Contact Resistance: 20 mΩ
 Insulation resistance: 500MΩ/DC500V
 Withstand voltage: AC2000V / 1 min
 Wire range: 28-14 AWG 2.5mm²

Mechanical
 Torque: 0.4Nm (3.6Lb.in)
 Strip length: 7-8mm
 Temp. Range: -40 °C - + 105 °C

Order Information

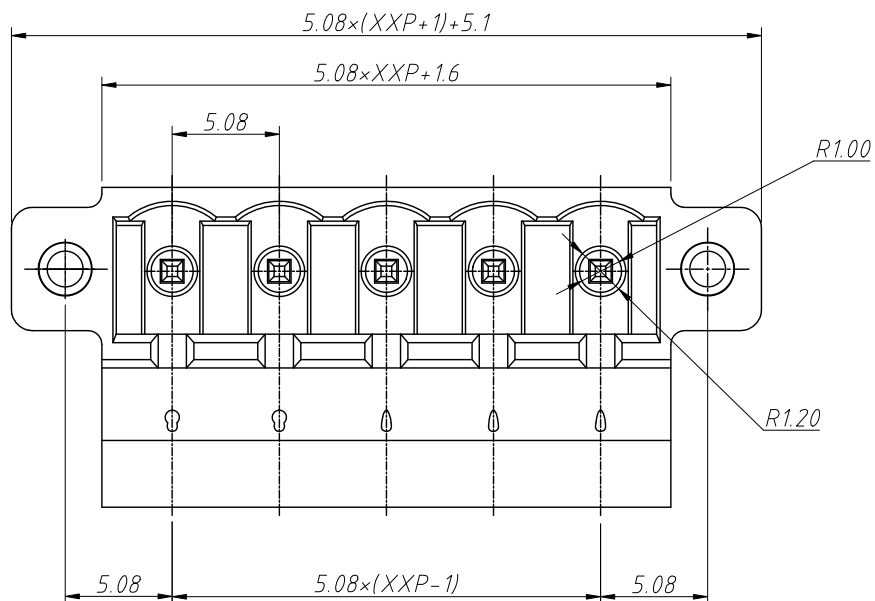
L-KLS2-DGNKR-5.00-XXP-4 S 00

RoHS
 Terminal Block
 Pitch
 No.: of Pole
 Color: 4- Green
 Screw: S-Slot Screw C-Cross Screw
 Product Code: 00~99

GENERAL TOLERANCE		ANGLE TOLERANCE		Description:	
X. ±0.60		X. ±5°		Pluggable Terminal Block 5.00MM	
.X ±0.38		.X ±3°			
.XX ±0.25		.XX ±2°			
Draw by	2015-09-01	PROJECTION		KLS P/N:	KLS2-DGNKR-5.00-XXP-4S-00
Check by	2015-09-15	UNITS	mm	NingBo KLS ELECTRONIC CO.,L TD.	
SCALE		SHEET SIZE	A4		

1 RoHS Compliance

REV	SYM	Revision Record	Appr.	Date
V0	KLS02006	New Version Release	Song	2024-10-26

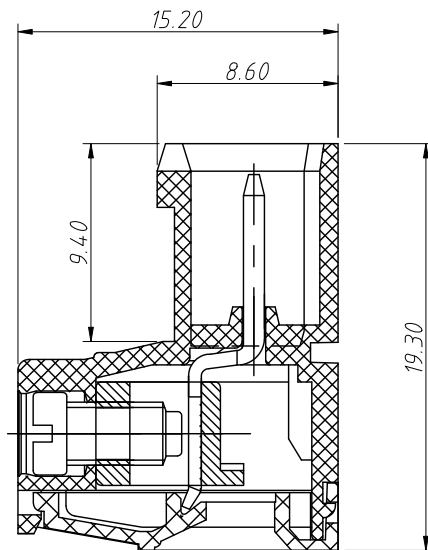
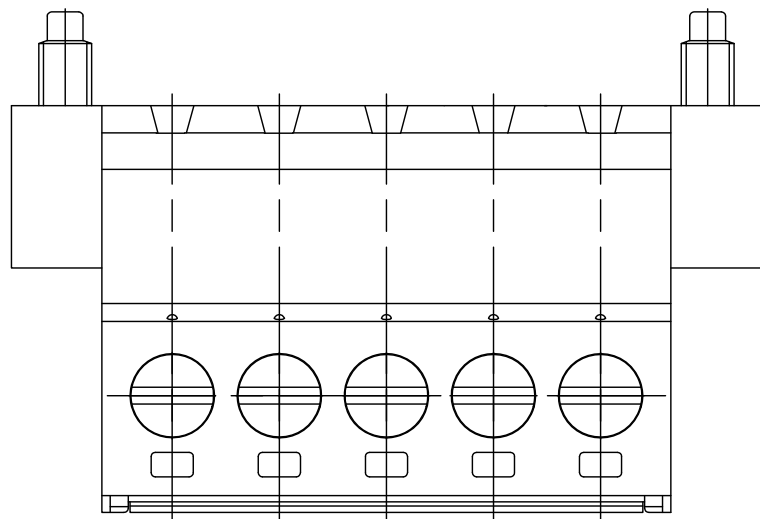
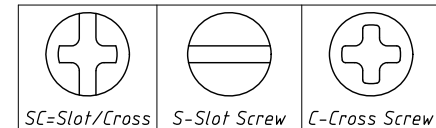


Electrical Characteristics	UL	IEC
Rated Voltage	300V	450V
Rated Current	15A	17.5A
Withstand Voltage	AC2000V/1 min	---
Wire Range	28~14 AWG	1.5mm ²

Material and other:
 Housing: PA66, UL94V-0
 Pin Header: Brass, Tin Plated
 Cage: Brass, Ni Plated
 Screw/Torque: Steel, M3, Zn Plated/0.5N.m
 Contact Resistance: 20mΩ Max
 Insulation Resistance: 500MΩ/DC500V Min
 Stripping Length: 7~8mm
 Temp. Range: -40°C ~ +105°C

Order Information
 L-KLS2-DGNKR-5.08-XXP-X X

RoHS
 Terminal Block
 Pitch: 5.08mm
 No. of (02~24) Pin
 Color: 1=Gray 2=Blue 3=Black
 4=Green 5=Orange 6=Red
 7=Transp 8=Yellow 9=White
 Screw: SC=Slot/Cross
 S-Slot Screw C-Cross Screw



ANGLE TOLERANCE	PROJECTION	Description:
±3°		Pitch 5.08mm Terminal Block
GENERAL TOLERANCE	UNITS	mm
0~30 ±0.50	SHEET SIZE	A4
30~60 ±0.75	Draw:	Song 2024-10-26
60~90 ±1.00	Check:	Daniel 2024-10-26
		L-KLS2-DGNKR-5.08-XXP-XX
		NingBo KLS ELECTRONIC CO.,L TD.