

SECTION A-A

**Material**

Screw: M3, Steel, Zn plated  
 Cage: Brass, Nickel plated  
 Pin header: Brass, Tin plated  
 Housing: PA66, UL94V-0

**Electrical**

Rated voltage: 300V  
 Rated current: 15A  
 Wire range: 28~14AWG 2.5mm<sup>2</sup>  
 Contact Resistance: 20 mΩ  
 Insulation resistance: 500MΩ/DC500V  
 Withstand voltage: AC2000V / 1 min

**Mechanical**

Temp. Range: -40 °C ~ +105 °C  
 Torque: 0.5 N.m (4.43 Lb. in)  
 Strip length: 7~8 mm

**Order Information**

L-KLS2-DGKR-5.00-XXP-4 S XX  
 RoHS  
 Terminal Block  
 Pitch  
 No. of Pole  
 Product Code: 00~99  
 Screw: S- Slot Screw  
 Color: 4- Green

GENERAL TOLERANCE		ANGLE TOLERANCE		PROJECTION	Description:
X.	±0.60	X.	±5°	UNITS	Plug-in TERM BLOCK 5.00MM
.X	±0.38	.X	±3°	SHEET SIZE	
.XX	±0.25	.XX	±2°	KLS P/N:	

Draw by: Date	2015-09-01
Check by: Date	2015-09-15
SCALE	SHEET OF

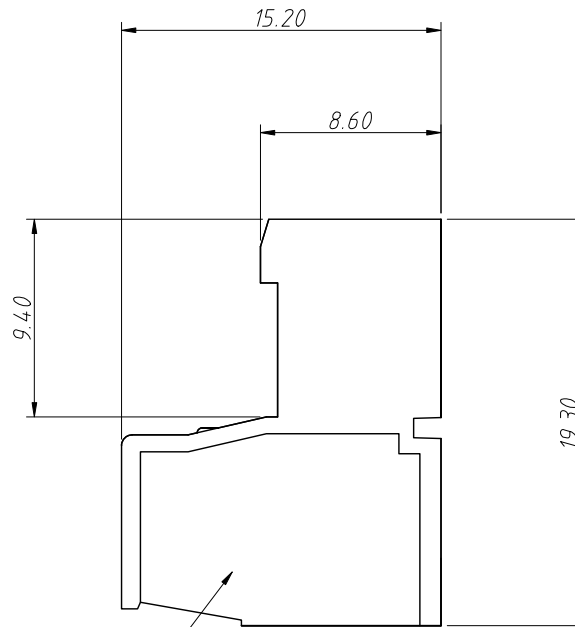
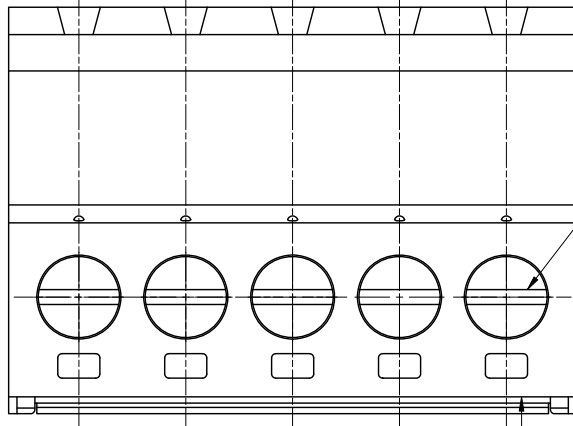
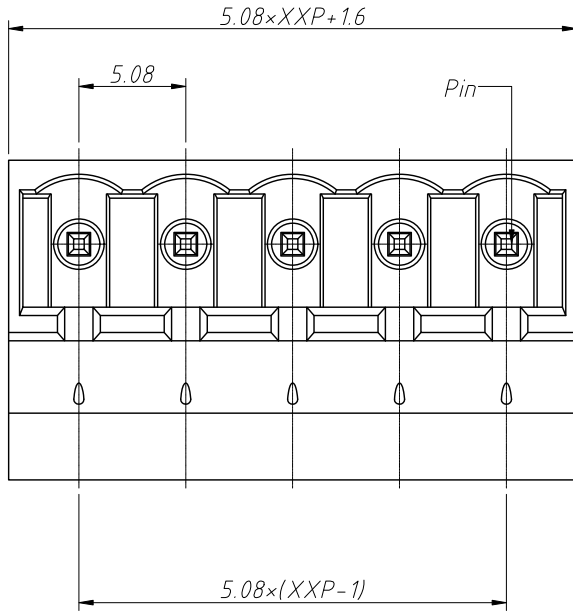
KLS ELECTRONIC CO., LTD.

1 RoHS Compliance

6	7	8
REV	SYM	Revision Record
V0	KLS02006	New Version Release
		Appr. Jenny
		Date 2024-08-20

Electrical Characteristics	UL	IEC
Rated Voltage	300V	250V
Rated Current	15A	12A
Withstand Voltage	1600V / 1min	4.0KV
Wire Range	12~28 AWG	0.2~2.5mm <sup>2</sup>

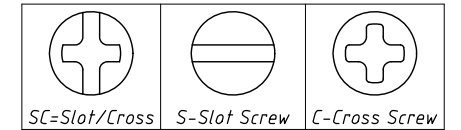
Material and other:  
 Housing:PA66, UL 94V-0  
 Cover:PA66, UL 94V-0  
 Pin:Copper alloy,Ni Plated  
 Cage:Copper alloy,Ni Plated  
 Screw/Torque:M3 0.5Nm max,Steel,Zn Plated  
 Stripping Length:7-8mm  
 Operating temperature:-40°C ~ +105°C



Order Information

L-KLS2-DGKR-5.08-XXP-4 X

RoHS  
 Terminal Block  
 Pitch:5.08mm  
 No.:Of (02~24) Pin  
 Color:  
 1=Gray 2=Blue 3=Black  
 4=Green 5=Orange 6=Red  
 7=Transp 8=Yellow 9=White  
 Screw:SC=Slot/Cross  
 S-Slot Screw C-Cross Screw



ANGLE TOLERANCE	PROJECTION	Description:
±3°		Pitch 5.08mm Pluggable Terminal Block,Plug
GENERAL TOLERANCE	UNITS	KLS P/N:
0~30 ±0.50	mm	L-KLS2-DGKR-5.08-XXP-4X
30~60 ±0.75	SHEET SIZE	
60~90 ±1.00	A4	
	Draw:	Jenny 2024-08-20
	Check:	Daniel 2024-08-20

NingBo KLS ELECTRONIC CO.,L TD.