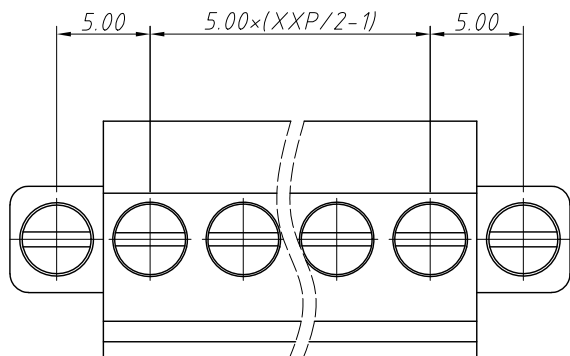


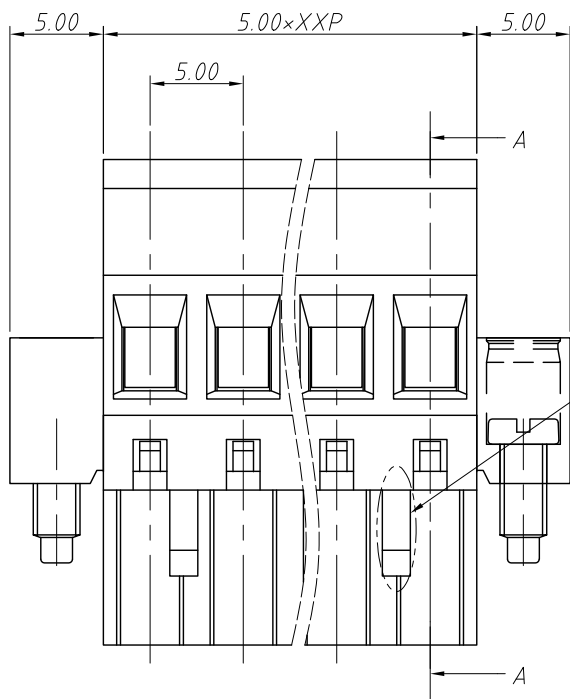
1 RoHS Compliance

6	7	8
REV	SYM	Revision Record
V0	KLS02006	New Version Release
		Appr.
		WuHao
		Date
		2024-10-31

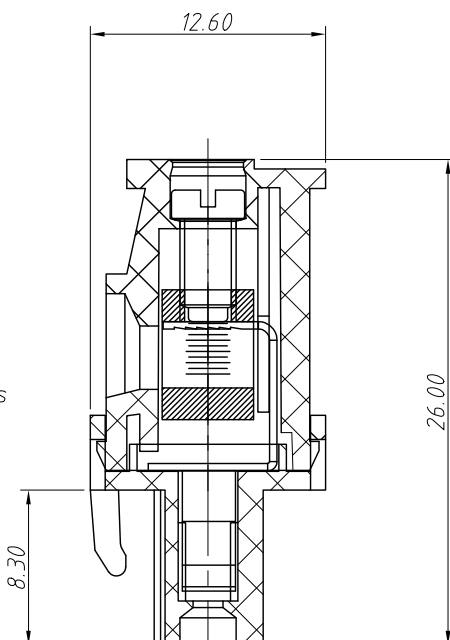


Electrical Characteristics	UL	IEC
Rated Voltage	300V	250V
Rated Current	15A	13.5A
Withstand Voltage	2000V/1 min	4.0 KV
Wire Range	28~14 AWG	0.2~2.5mm ²

Material and other:
 Housing: PA66, UL 94 V-0
 Pin Header: Copper Alloy
 Screw/Torque: M3/0.5N.m
 Stripping Length: 7~8mm
 Operating Temperature: -40°C ~ +105°C

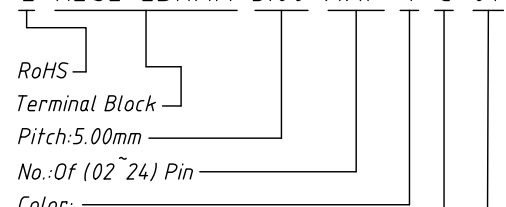


2P only has this card hook



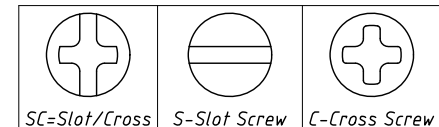
SECTION A-A

Order Information
 L-KLS2-EDKAM-5.00-XXP-4 C 01



- RoHS
- Terminal Block
- Pitch: 5.00mm
- No. of (02~24) Pin
- Color:
 - 1=Gray 2=Blue 3=Black
 - 4=Green 5=Orange 6=Red
 - 7=Transp 8=Yellow 9=White

Screw: SC=Slot/Cross
 S-Slot Screw C-Cross Screw



Product Code: 00~99

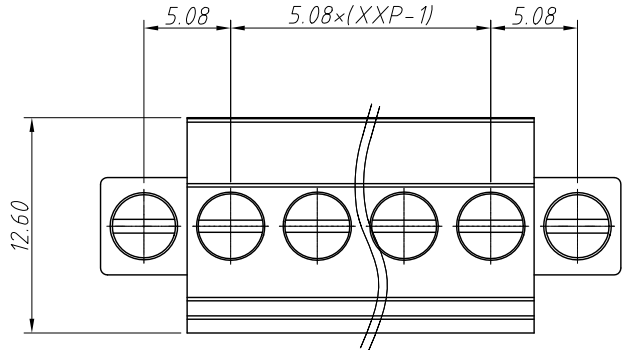
ANGLE TOLERANCE	PROJECTION	Description:
±3°		Pitch 5.00mm Terminal Block
GENERAL TOLERANCE	UNITS	mm
0~30 ±0.50	SHEET SIZE	A4
30~60 ±0.75	Draw:	WuHao 2024-10-31
60~90 ±1.00	Check:	Daniel 2024-10-31
		KLS NingBo KLS ELECTRONIC CO.,L TD.



NingBo KLS ELECTRONIC CO.,L TD.

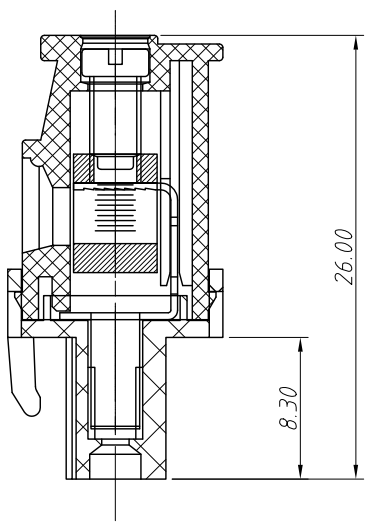
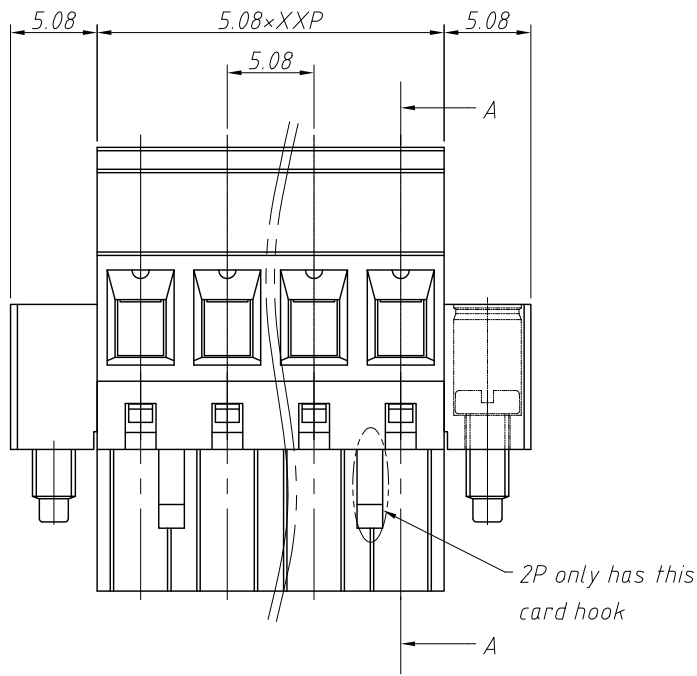
1
RoHS Compliance

6	7	8
REV	SYM	Revision Record
V0	KLS02006	New Version Release
		Appr.
		WuHao
		Date
		2024-10-31

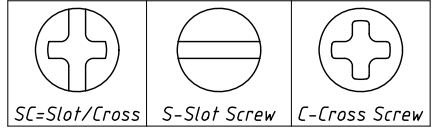
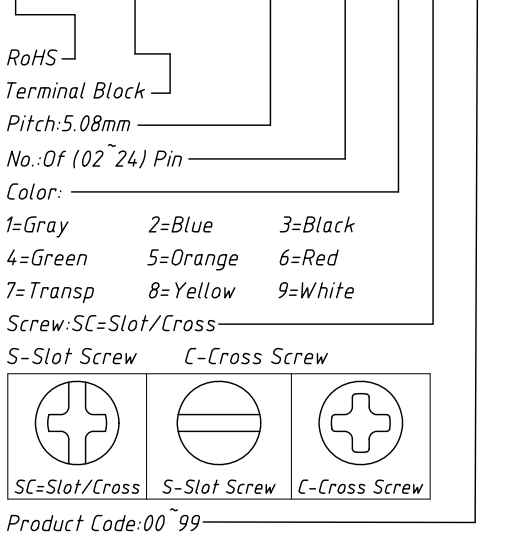


Material and other:
 Housing: PA66, UL 94 V-0
 Clamp: Phosphor Bronze, Ni Plated
 Cage: Brass, Ni Plated
 Screw/Torque: Steel, M3, Zn Plated/0.5N.m
 Stripping Length: 7~8mm
 Temp. Range: -40°C ~ +105°C
 Soldering: +250°C For 5 Sec

Electrical Characteristics	UL	IEC
Rated Voltage	300V	450V
Rated Current	15A	17.5A
Withstand Voltage	2000V/1 min	---
Wire Range	28~14 AWG	1.5mm ²



Order Information
 L-KLS2-EDKAM-5.08-XXP-4 C 01



Product Code: 00~99

ANGLE TOLERANCE	PROJECTION	Description:
±3°		Pitch 5.08mm Terminal Block
GENERAL TOLERANCE	UNITS	KLS P/N:
0~30 ±0.50	mm	L-KLS2-EDKAM-5.08-XXP-4C01
30~60 ±0.75	SHEET SIZE	
60~90 ±1.00	A4	
	Draw:	WuHao 2024-10-31
	Check:	Daniel 2024-10-31

