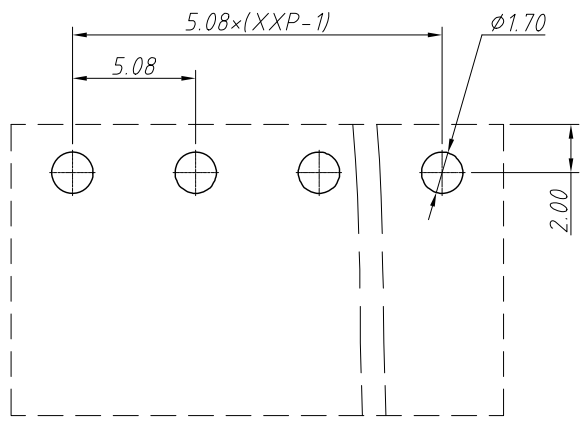


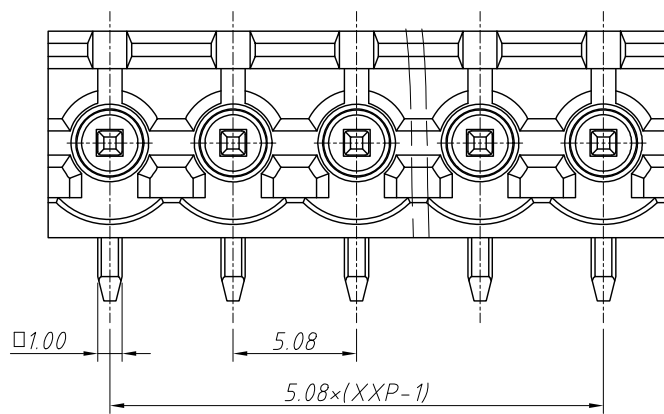
1 RoHS Compliance

REV	SYM	Revision Record	Appr.	Date
V0	KLS02006	New Version Release	WuHao	2024-10-8

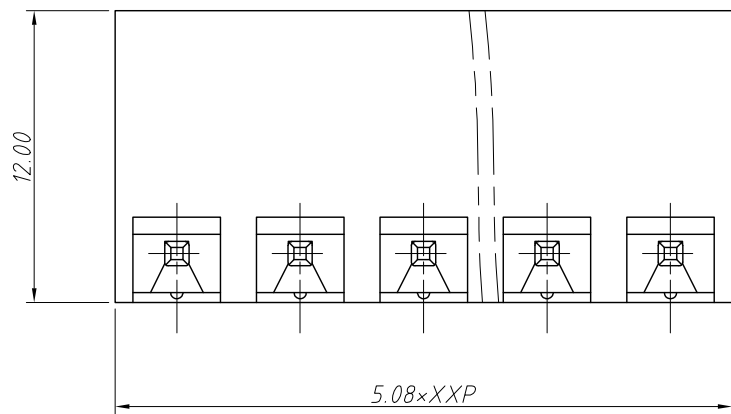
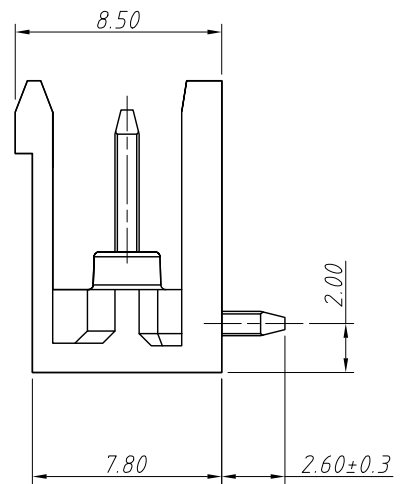
Electrical Characteristics	UL	IEC
Rated Voltage	300V	250V
Rated Current	15A	12A
Withstand Voltage	1600V/1 min	4KV



Recommended PCB Layout



Material and other:
 Housing:LCP UL 94 V-0
 Pin:Copper Alloy, Sn Plated
 Operating Temperature:-40°C ~ +130°C
 Soldering Temperature:285°C/10 S



Order Information
 L-KLS2-THREDR-5.08-XXP-X
 RoHS
 Terminal Block
 Pitch:5.08mm
 No.:Of (02~24) Pin
 Color:
 1=Gray 2=Blue 3=Black
 4=Green 5=Orange 6=Red
 7=Transp 8=Yellow 9=White

ANGLE TOLERANCE	PROJECTION	Description:
±3°		Pitch 5.08mm Pluggable Terminal Block, Plug
GENERAL TOLERANCE	UNITS	mm
0~30	±0.50	
30~60	±0.75	
60~90	±1.00	
SHEET SIZE	A4	
Draw:	WuHao	2024-10-8
Check:	Daniel	2024-10-8
KLS ELECTRONIC		NingBo KLS ELECTRONIC CO.,L TD.