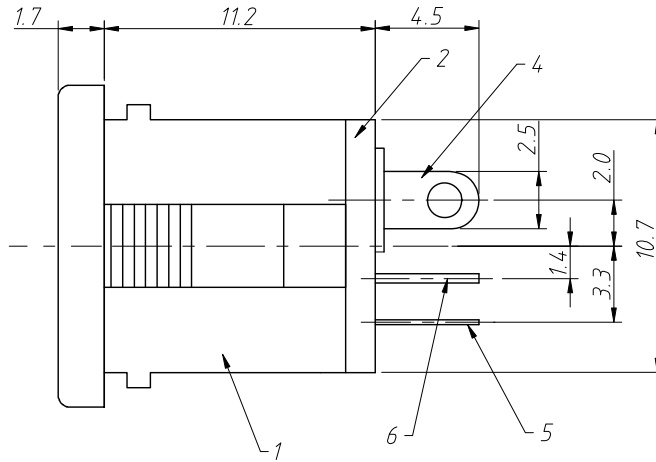
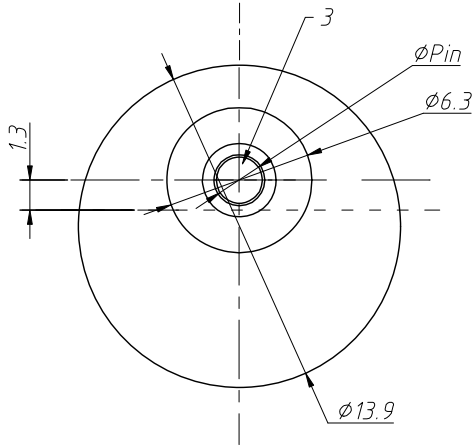


1 RoHS Compliance

|     |          |                     |       |            |
|-----|----------|---------------------|-------|------------|
| REV | SYM      | Revision Record     | Appr. | Date       |
| V0  | KLS01129 | New Version Release | Song  | 2024-12-03 |

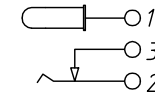


Material:

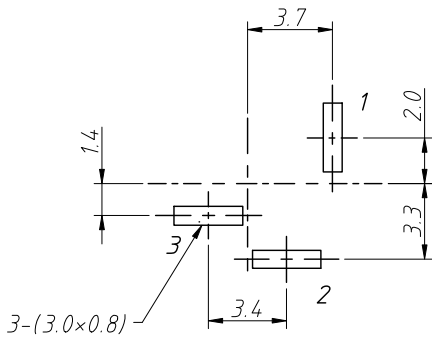
- 1.Base:PBT, Black
- 2.Cover:Insulation Board, Yellow
- 3.PIN:H65 Brass, Tin-Plating
- 4.1# Foot:C5210 Brass=0.3, Tin-Plating
- 5.2# Foot:Manganese steel=0.25, Tin-Plating
- 6.3# Foot:C5210 Brass=0.3, Tin-Plating

Electric:

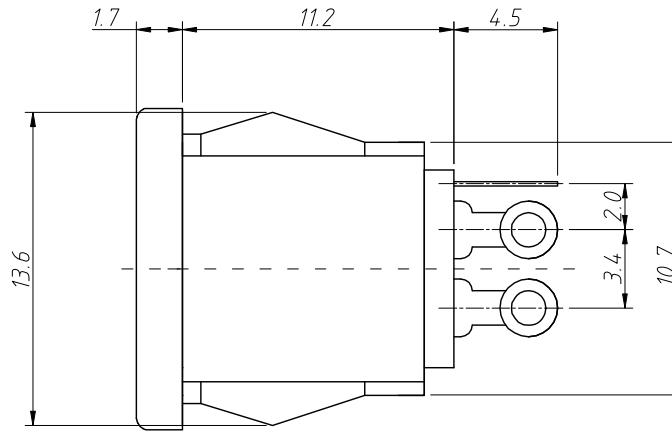
- Rated:DC12V 1A
- Contact Resistance:50 mΩ Max
- Insulator Resistance:100 MΩ Min
- Withstand Voltage:AC 500V For 1 minute Without Flashover Or Breakdown
- Durability:5000, 10~20 Cycles/min
- Insertion Force:2.94~29.4N (0.3~3.0kgf)
- Pullout Force:2.94~29.4N (0.3~3.0kgf)
- Temperature:-25°C~+85°C



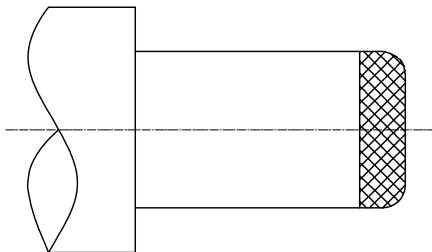
CIRCUIT DIAGRAM



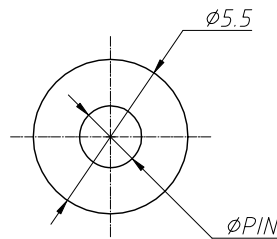
Recommended PCB Layout  
Tolerance:±0.1mm



|      |             |            |             |            |
|------|-------------|------------|-------------|------------|
| φPIN | φ1.65       | φ2.0       | φ2.35       | φ2.5       |
| Item | DC-035-1.65 | DC-035-2.0 | DC-035-2.35 | DC-035-2.5 |



DC MATE PLUG



|                   |            |              |               |                  |
|-------------------|------------|--------------|---------------|------------------|
| ANGLE TOLERANCE   | PROJECTION | Description: | DC Power Jack |                  |
| ±3°               |            |              |               |                  |
| GENERAL TOLERANCE | UNITS      | mm           | KLS P/N:      | L-KLS1-DC-035-XX |
| .x ±0.30          | SHEET SIZE | A4           |               |                  |
| .xx ±0.20         | Draw:      | Song         | 2024-12-03    |                  |
| .xxx ±0.10        | Check:     | Daniel       | 2024-12-03    |                  |



NingBo KLS ELECTRONIC CO.,L TD.