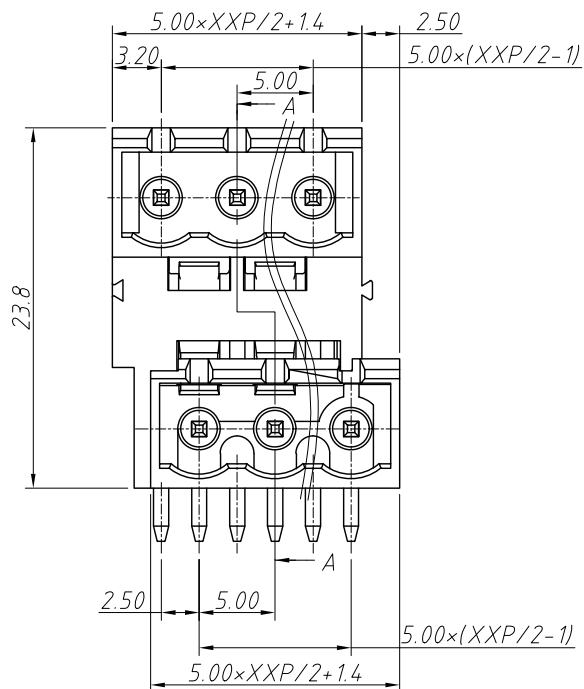
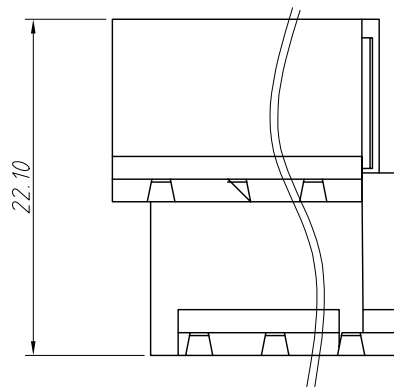
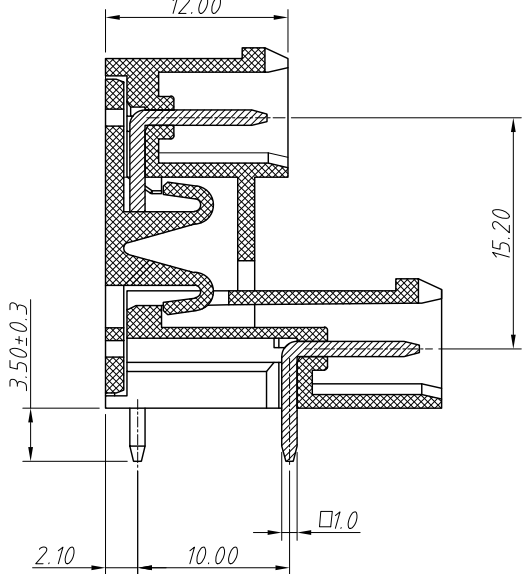
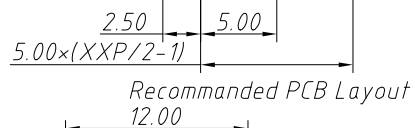
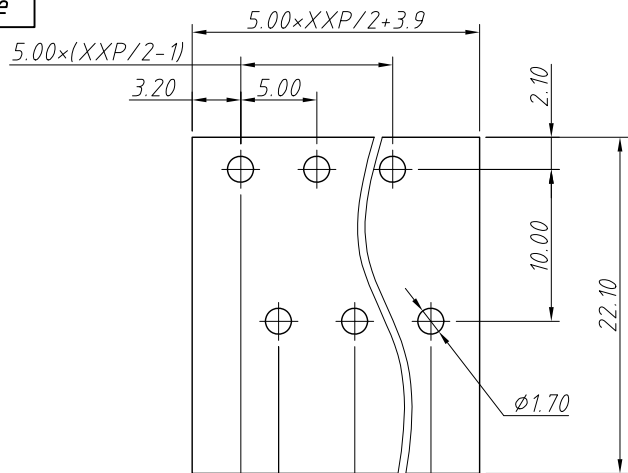


RoHS Compliance



REV	SYM	Revision Record	Appr.	Date
V0	KLS02006	New Version Release	WuHao	2024-10-29

Electrical Characteristics	UL	IEC
Rated Voltage	300V	450V
Rated Current	15A	17.5A
Withstand Voltage	AC2000V/1 min	---

Material and other:  
 Housing:PA66, UL 94V-0  
 Pin Header:Brass, Tin Plated  
 Temp.Range:-40°C ~ +105°C  
 Soldering:+250°C For 5 Sec Max

Order Information

L-KLS2-EDCRC-5.00-XXP-X

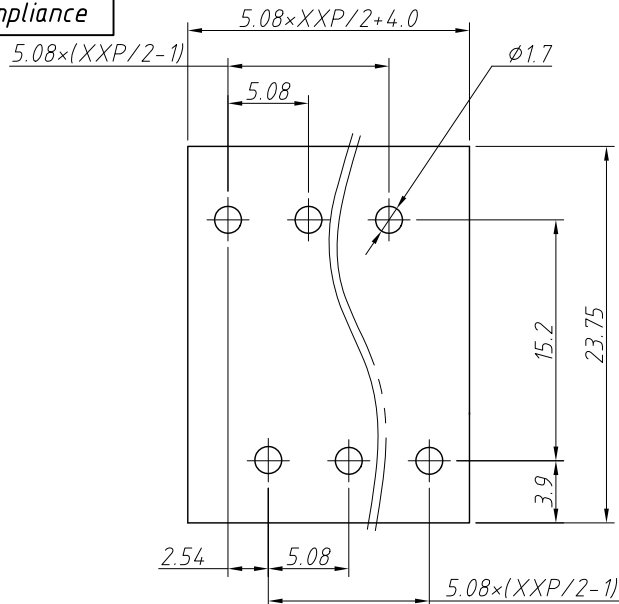
RoHS  
 Terminal Block  
 Pitch:5.00mm  
 No.:Of (04~06) Pin  
 Color:  
 1=Gray    2=Blue    3=Black  
 4=Green    5=Orange    6=Red  
 7=Transp    8=Yellow    9=White

ANGLE TOLERANCE	PROJECTION	Description:
±3°		Pitch 5.00mm Terminal Block
GENERAL TOLERANCE	UNITS	mm
0~30	±0.50	SHEET SIZE
30~60	±0.75	A4
60~90	±1.00	Draw: WuHao 2024-10-29
	Check: Daniel 2024-10-29	

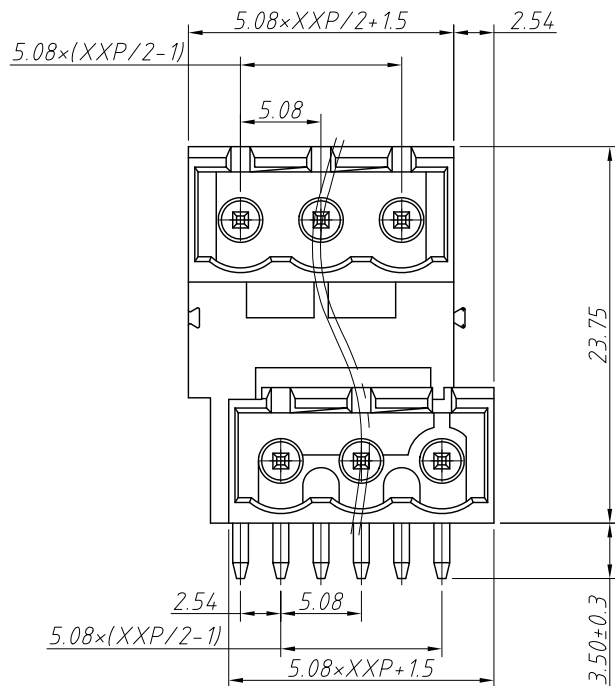
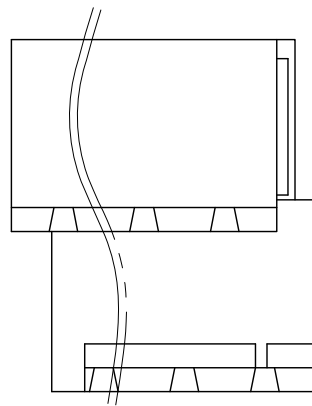
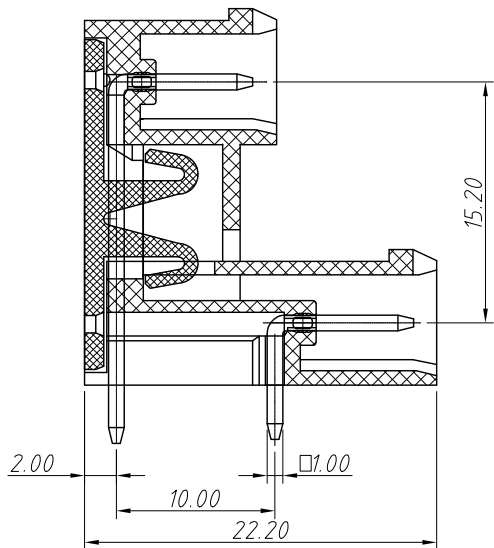


NingBo KLS ELECTRONIC CO.,LTD.

RoHS Compliance



Recommended PCB Layout



REV	SYM	Revision Record	Appr.	Date
V0	KLS02006	New Version Release	WuHao	2024-10-29
Electrical Characteristics		UL	IEC	
Rated Voltage		300V	450V	
Rated Current		15A	17.5A	
Withstand Voltage		AC2000V/1 min	---	

Material and other:  
 Housing:PA66, UL 94V-0  
 Pin Header:Brass, Tin Plated  
 Temp.Range:-40°C ~ +105°C  
 Soldering:+250°C For 5 Sec Max

Order Information

L-KLS2-EDCRC-5.08-XXP-X

RoHS  
 Terminal Block  
 Pitch:5.08mm  
 No.:Of (04 ~ 06) Pin  
 Color:  
 1=Gray    2=Blue    3=Black  
 4=Green    5=Orange    6=Red  
 7=Transp    8=Yellow    9=White

ANGLE TOLERANCE	PROJECTION	Description:
±3°		Pitch 5.08mm Terminal Block
GENERAL TOLERANCE	UNITS	mm
0 ~ 30	±0.50	SHEET SIZE
30 ~ 60	±0.75	Draw:
60 ~ 90	±1.00	Check:
KLS P/N:		L-KLS2-EDCRC-5.08-XXP-X
KLS ELECTRONIC		NingBo KLS ELECTRONIC CO.,L TD.