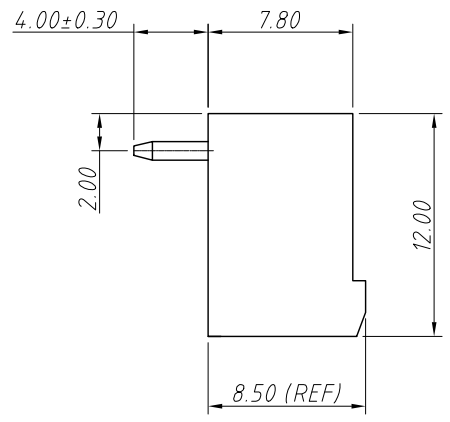
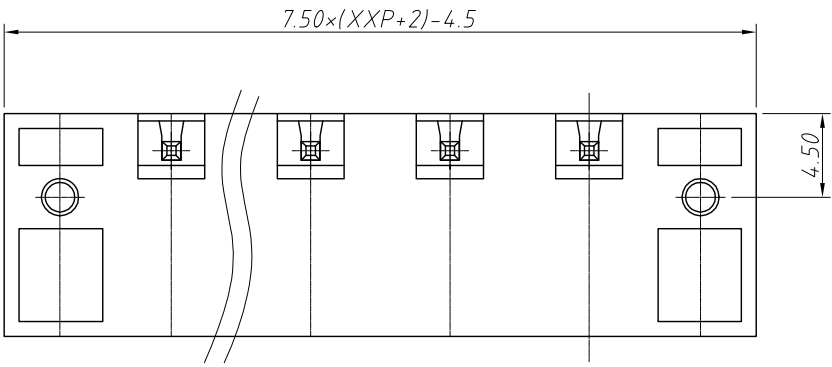


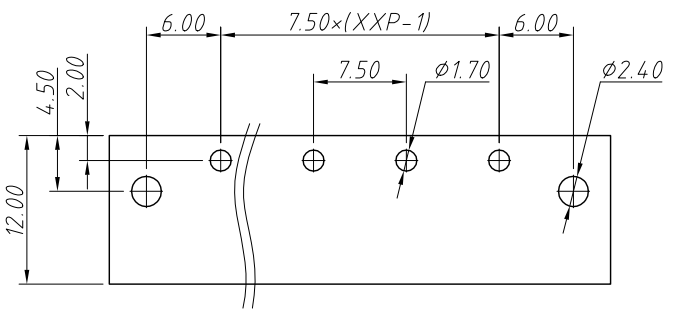
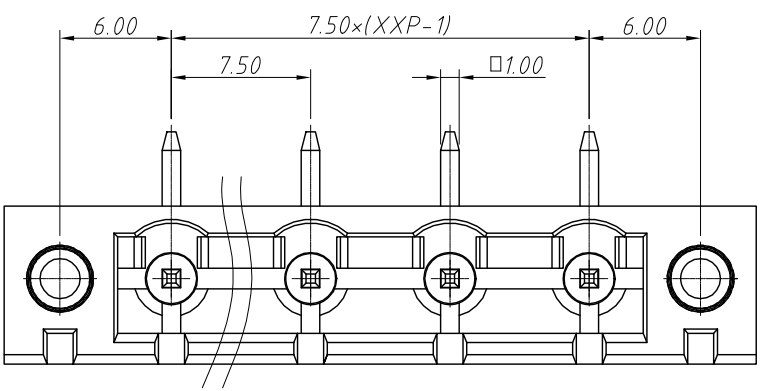
1
RoHS Compliance

6		7		8	
REV	SYM	Revision Record	Appr.	Date	
V0	KLS02006	New Version Release	WuHao	2024-11-04	



Electrical Characteristics	UL	IEC
Rated Voltage	300V	400V
Rated Current	15A	10A
Withstand Voltage	1600V/1 min	6.0 KV

Material and other:
Housing: PA66, UL 94V-0
Pin Header: Copper Alloy, Sn Plated
Operating Temperature: -40°C ~ +105°C
Soldering Temperature: +260°C For 5 Sec



Recommended PCB Layout

Order Information
L-KLS2-EDRY-7.50-XXP-X

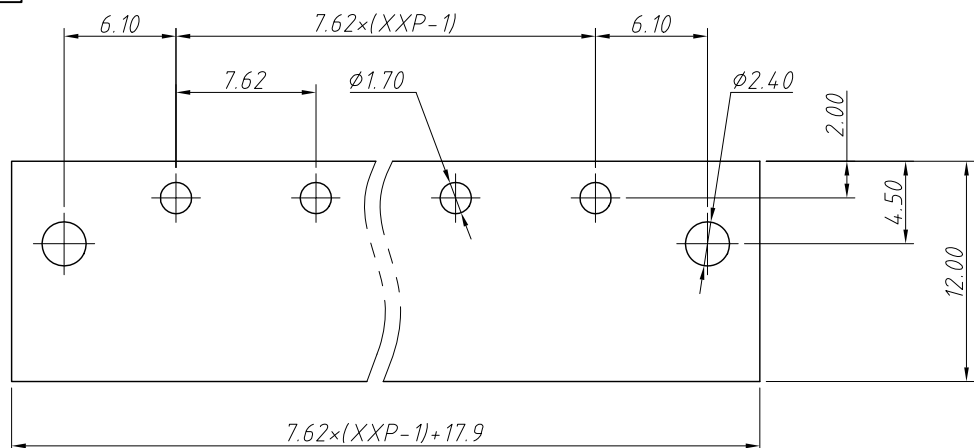
RoHS
Terminal Block
Pitch: 7.50mm
No.: Of (02 ~ 24) Pin
Color:
1=Gray 2=Blue 3=Black
4=Green 5=Orange 6=Red
7=Transp 8=Yellow 9=White

ANGLE TOLERANCE	PROJECTION	Description:	Pitch 7.50mm Terminal Block	
±3°				
GENERAL TOLERANCE	UNITS	mm	KLS P/N:	L-KLS2-EDRY-7.50-XXP-X
0 ~ 30	±0.50	SHEET SIZE	A4	
30 ~ 60	±0.75	Draw:	WuHao	2024-11-04
60 ~ 90	±1.00	Check:	Daniel	2024-11-04

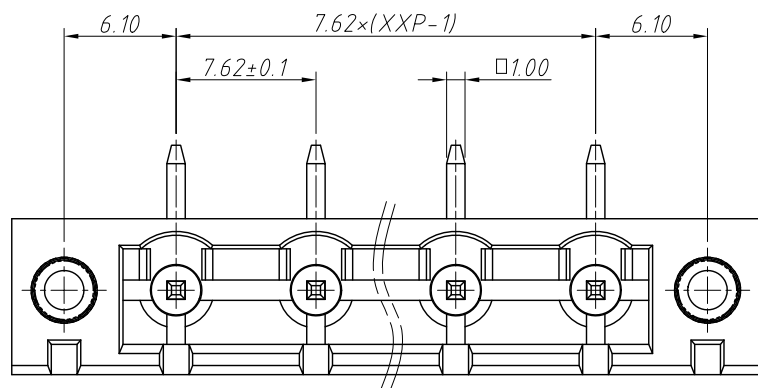
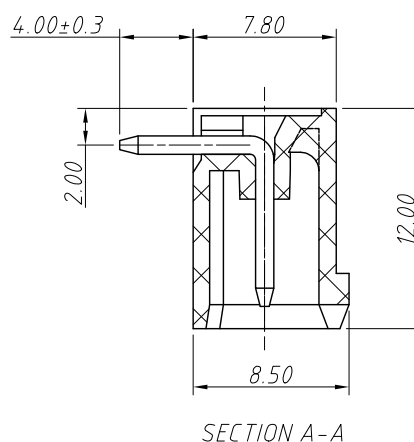
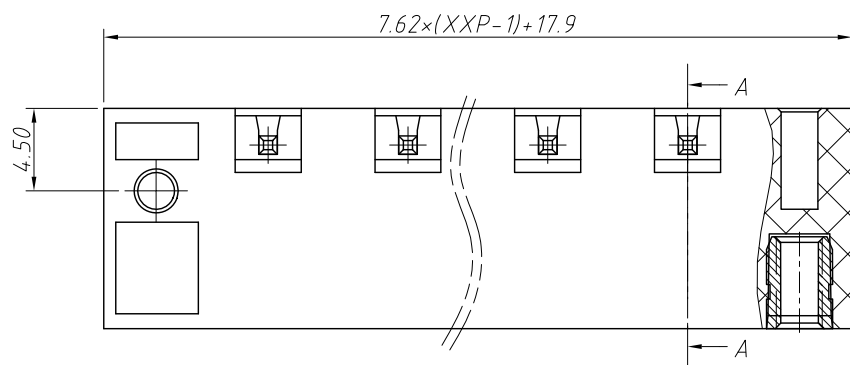


1 RoHS Compliance

REV	SYM	Revision Record	Appr.	Date
V0	KLS02006	New Version Release	WuHao	2024-11-04



Recommended PCB Layout



Electrical Characteristics	UL	IEC
Rated Voltage	300V	450V
Rated Current	15A	17.5A
Withstand Voltage	AC2000V/1 min	---

Material and other:

Housing:PA66, UL 94 V-0

Pin Header:Brass, Tin Plated

Nut:M2.5,Brass

Contact resistance:20mΩ MAX

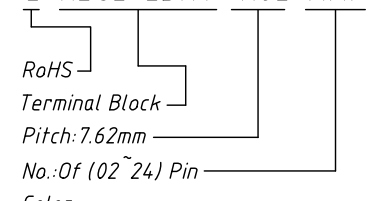
Insulation resistance:500MΩ/DC500V

Temp. Range:-40°C ~ +105°C

Soldering:+250°C For 5 Sec

Order Information

L-KLS2-EDRY-7.62-XXP-X



- Color: 1=Gray 2=Blue 3=Black
4=Green 5=Orange 6=Red
7=Transp 8=Yellow 9=White

ANGLE TOLERANCE	PROJECTION	Description:	Pitch 7.62mm Terminal Block	
±3°				
GENERAL TOLERANCE	UNITS	mm	KLS P/N:	L-KLS2-EDRY-7.62-XXP-X
0°~30° ±0.50	SHEET SIZE	A4		
30°~60° ±0.75	Draw:	WuHao	2024-11-04	NingBo KLS ELECTRONIC CO.,L TD.
60°~90° ±1.00	Check:	Daniel	2024-11-04	