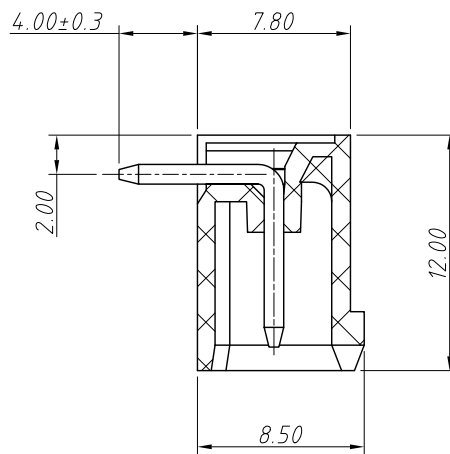
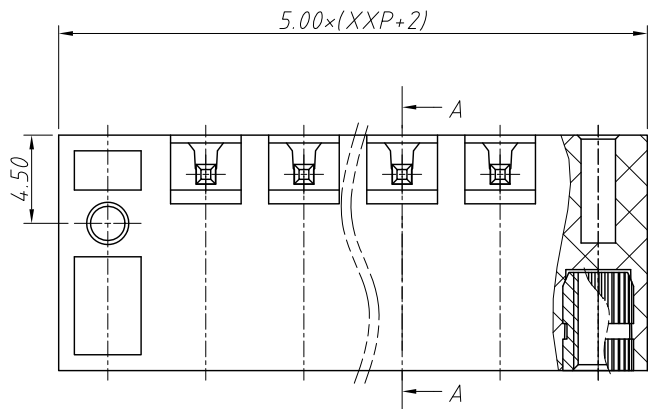


1 RoHS Compliance

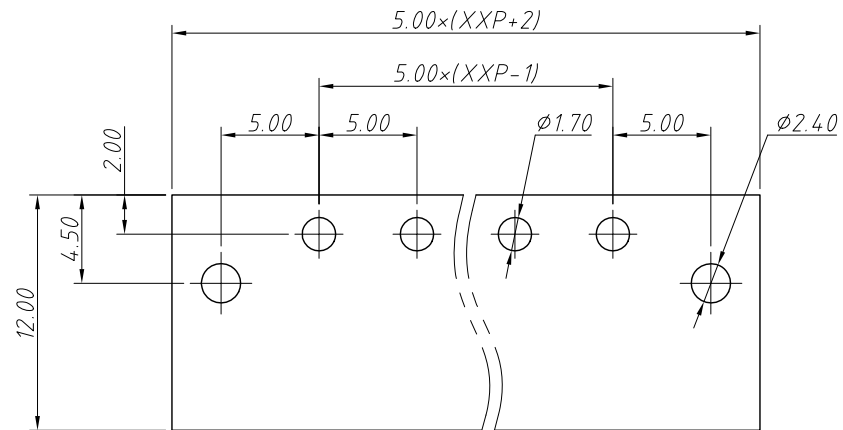
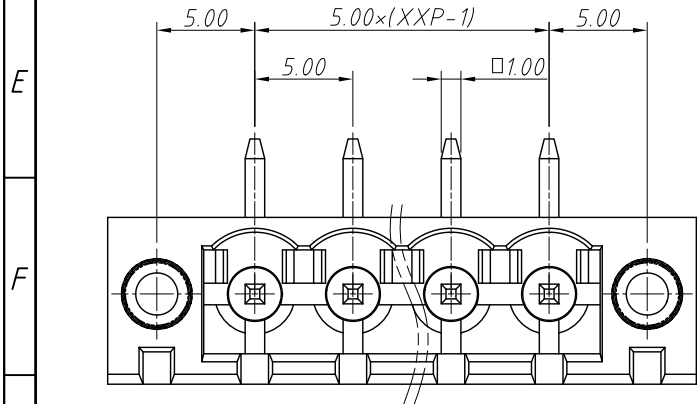
REV	SYM	Revision Record	Appr.	Date
V0	KLS02006	New Version Release	WuHao	2024-11-04



SECTION A-A

Electrical Characteristics	UL	IEC
Rated Voltage	300V	450V
Rated Current	15A	17.5A
Withstand Voltage	AC 2000V/1 min	---

Material and other:
 Housing:PA66, UL 94V-0
 Pin Header:Brass, Tin Plated
 Nut:Brass
 Contact resistance:20mΩ MAX
 Insulation resistance:500MΩ/DC500V
 Temp. Range:-40°C ~ +105°C
 Soldering:+250°C For 5 Sec



Recommended PCB Layout

Order Information
L-KLS2-EDRY-5.00-XXP-X

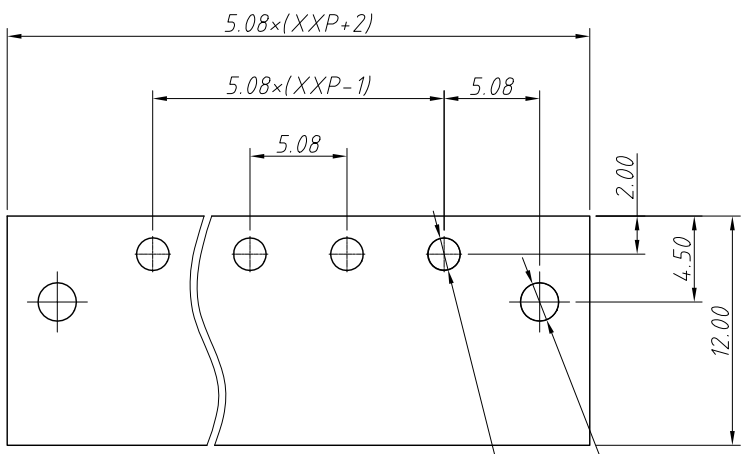
RoHS Terminal Block
 Pitch:5.00mm
 No.:Of (02~24) Pin
 Color:

1=Gray 2=Blue 3=Black
 4=Green 5=Orange 6=Red
 7=Transp 8=Yellow 9=White

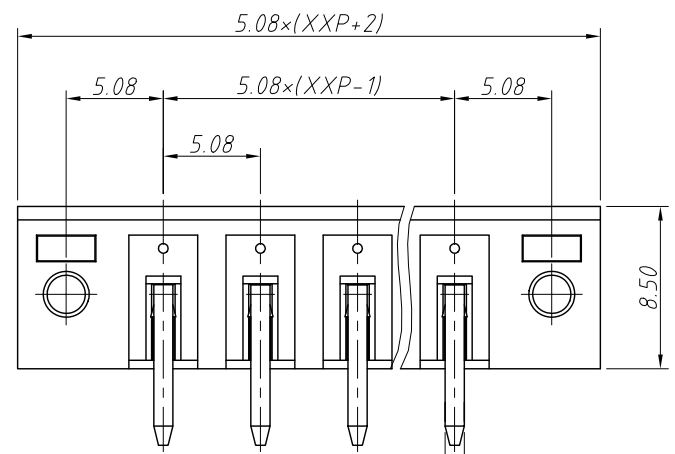
ANGLE TOLERANCE	PROJECTION	Description:
±3°		Pitch 5.00mm Terminal Block
GENERAL TOLERANCE	UNITS	mm
0~30	±0.50	SHEET SIZE
30~60	±0.75	Draw:
60~90	±1.00	Check:
		WuHao 2024-11-04
		Daniel 2024-11-04
		NingBo KLS ELECTRONIC CO.,L TD.

1
RoHS Compliance

REV	SYM	Revision Record	Appr.	Date
V0	KLS02006	New Version Release	WuHao	2024-11-04

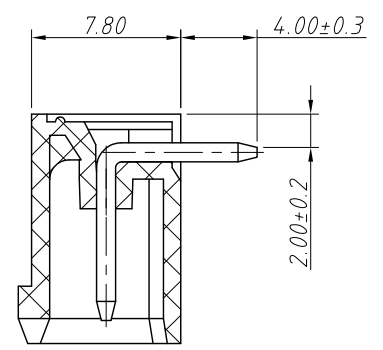


Recommended PCB Layout

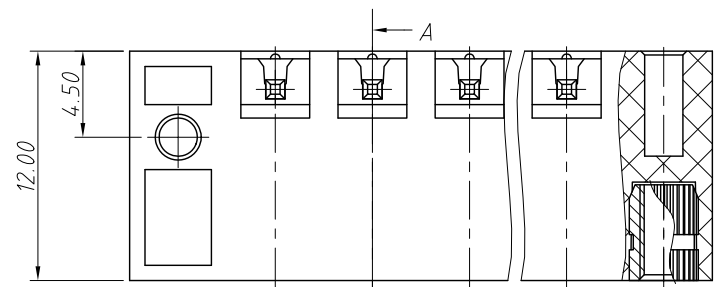


Electrical Characteristics	UL	IEC
Rated Voltage	300V	450V
Rated Current	15A	17.5A
Withstand Voltage	AC 2000V/1 min	---

Material and other:
 Housing:PA66, UL 94 V-0
 Pin Header:Copper Alloy,Sn Plated
 Nut:M2.5,Copper Alloy
 Contact resistance:20mΩ MAX
 Insulation resistance:500MΩ/DC500V
 Temp. Range:-40°C ~ +105°C
 Soldering:+250°C For 5 Sec



SECTION A-A



Order Information
L-KLS2-EDRY-5.08-XXP-X
 RoHS
 Terminal Block
 Pitch:5.08mm
 No.:Of (02~24) Pin
 Color:
 1=Gray 2=Blue 3=Black
 4=Green 5=Orange 6=Red
 7=Transp 8=Yellow 9=White

ANGLE TOLERANCE	PROJECTION	Description:
±3°		Pitch 5.08mm Terminal Block
GENERAL TOLERANCE	UNITS	mm
0~30 ±0.50	SHEET SIZE	A4
30~60 ±0.75	Draw:	WuHao 2024-11-04
60~90 ±1.00	Check:	Daniel 2024-11-04
		KLS P/N: L-KLS2-EDRY-5.08-XXP-X



NingBo KLS ELECTRONIC CO.,L.TD.