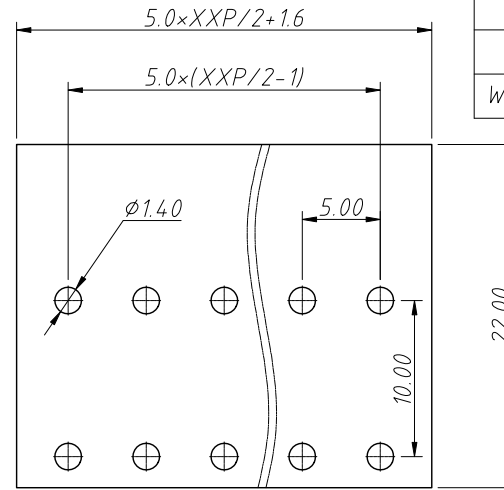
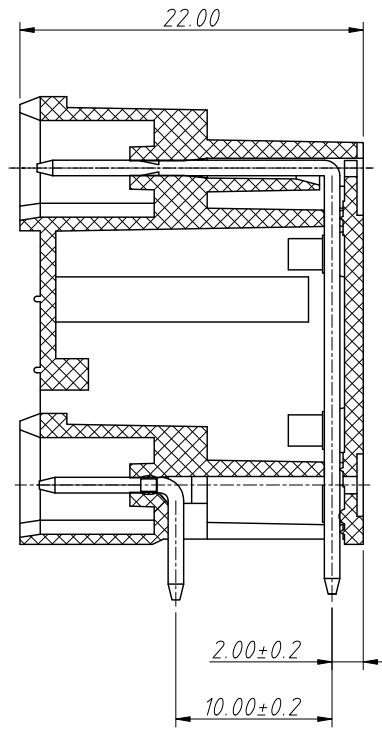
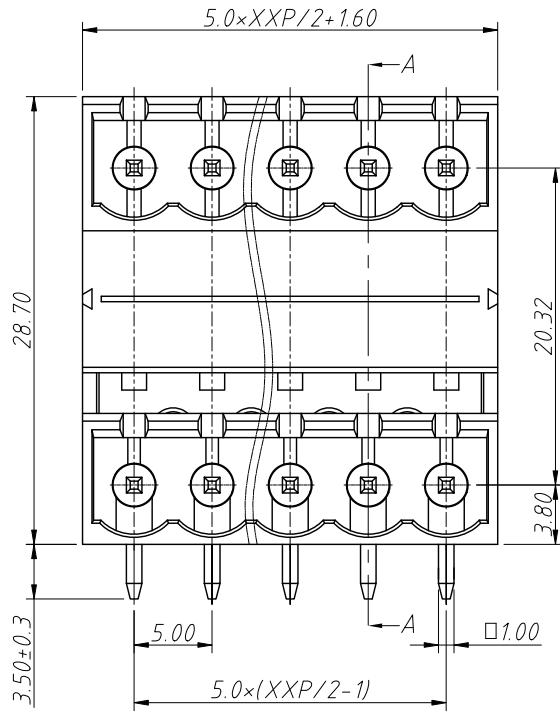


1 RoHS Compliance

REV	SYM	Revision Record	Appr.	Date
V0	KLS02006	New Version Release	Jenny	2024-10-29

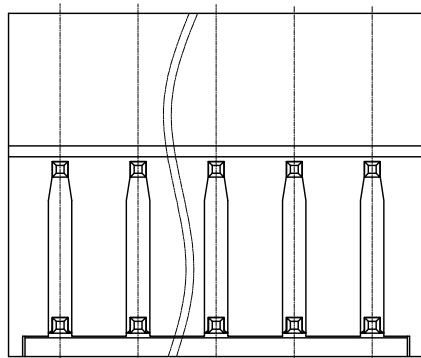
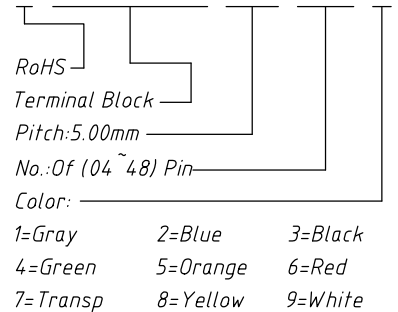
Electrical Characteristics	UL	IEC
Rated Voltage	300V	320V
Rated Current	15A	10A
Withstand Voltage	2000V / 1 min	---



Recommended PCB Layout

Material and other:  
 Housing: PA66, UL 94 V-0  
 Pin header: Brass, Sn Plated  
 Contact resistance: 20mΩ  
 Insulation resistance: 500MΩ/DC500V  
 Temp. Range: -40°C ~ +105°C  
 Soldering: +250°C for 5 Sec

Order Information  
 L-KLS2-EDDR-5.00-XXP-X

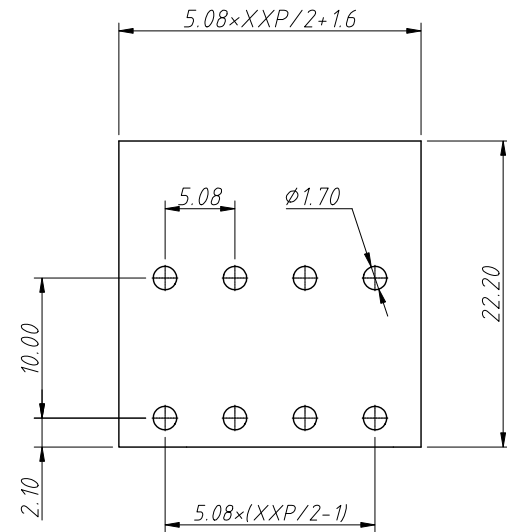
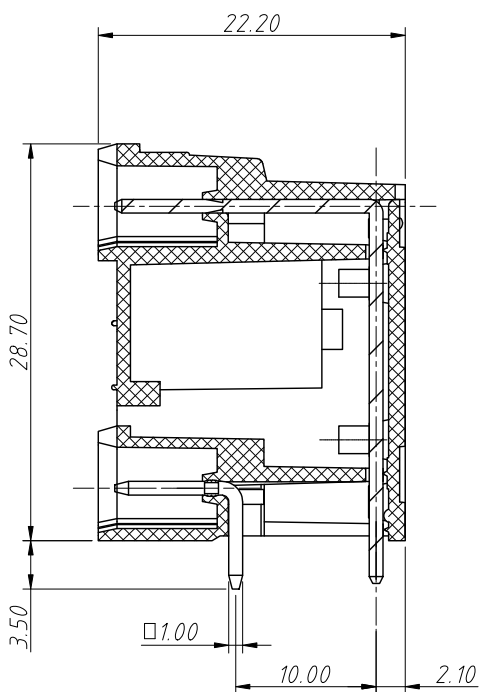
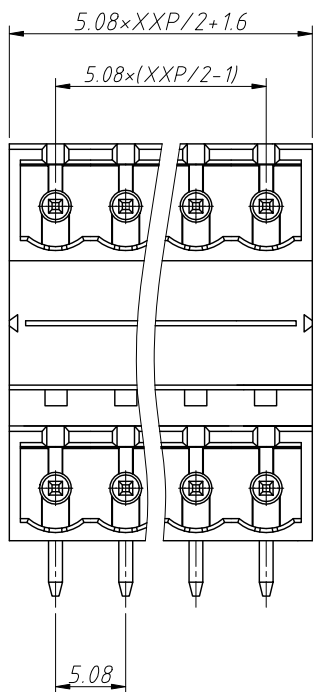


ANGLE TOLERANCE	PROJECTION	Description:	Pitch 5.00mm Terminal Block	
±3°				
GENERAL TOLERANCE	UNITS	mm	KLS P/N:	L-KLS2-EDDR-5.00-XXP-X
0°~30° ±0.50	SHEET SIZE	A4		
30°~60° ±0.75	Draw:	Jenny	2024-10-29	NingBo KLS ELECTRONIC CO.,L TD.
60°~90° ±1.00	Check:	Daniel	2024-10-29	

1 RoHS Compliance

REV	SYM	Revision Record	Appr.	Date
V0	KLS02006	New Version Release	Jenny	2024-10-29

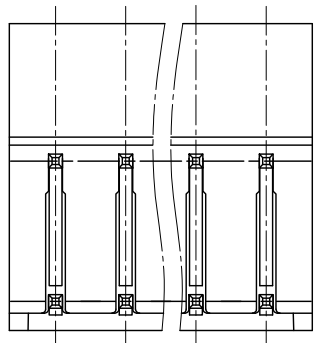
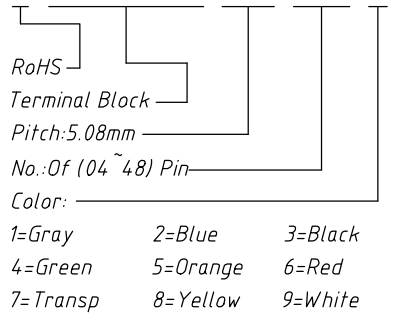
Electrical Characteristics	UL	IEC
Rated Voltage	300V	450V
Rated Current	15A	17.5A
Withstand Voltage	1250V / 1 min	---



Recommended PCB Layout

**Material and other:**  
 Housing: PA66, UL 94V-0  
 Pin header: Brass, Tin Plated  
 Contact resistance: 20mΩ  
 Insulation resistance: 500MΩ/DC500V  
 Temp. Range: -40°C ~ +105°C  
 Soldering: +250°C for 5 Sec

**Order Information**  
 L-KLS2-EDDR-5.08-XXP-X



ANGLE TOLERANCE	PROJECTION	Description:	Pitch 5.08mm Terminal Block		
±3°			L-KLS2-EDDR-5.08-XXP-X		
GENERAL TOLERANCE	UNITS	mm	KLS P/N:	L-KLS2-EDDR-5.08-XXP-X	
0°~30° ±0.50	SHEET SIZE	A4			
30°~60° ±0.75	Draw:	Jenny	2024-10-29	NingBo KLS ELECTRONIC CO.,L TD.	
60°~90° ±1.00	Check:	Daniel	2024-10-29		