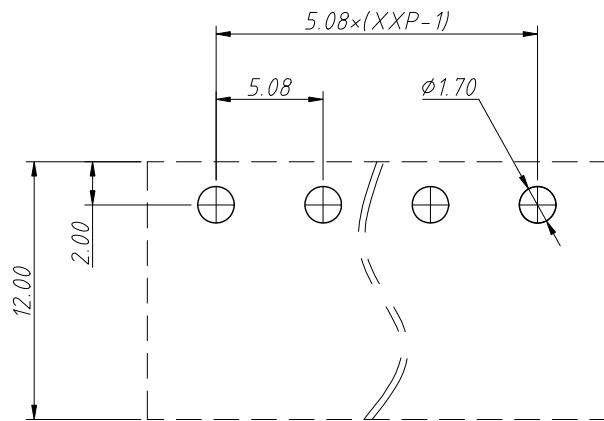
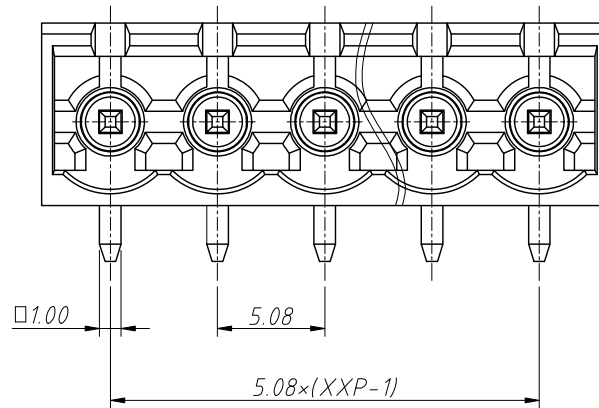


1 RoHS Compliance

REV	SYM	Revision Record	Appr.	Date
V0	KLS02006	New Version Release	WuHao	2024-10-8



Recommended PCB Layout



Electrical Characteristics	UL	IEC
Rated Voltage	300V	250V
Rated Current	15A	12A
Withstand Voltage	1600V/1 min	4KV

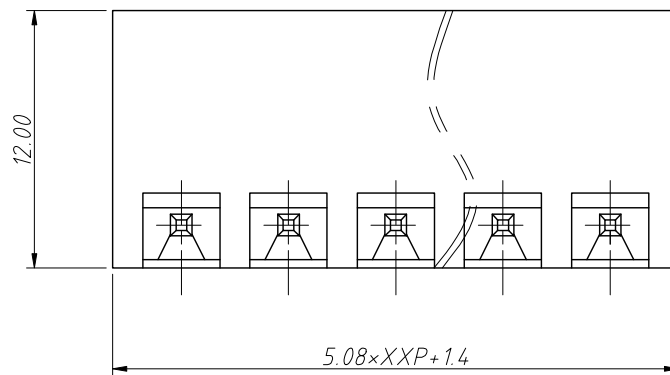
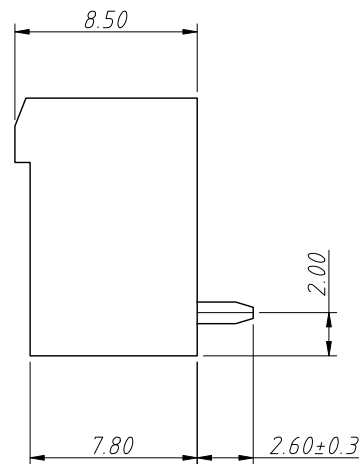
Material and other:

Housing:LCP UL94V-0

Pin:Copper Alloy,Sn Plated

Operating Temperature:-40°C ~ +130°C

Soldering Temperature:285°C/10S



Order Information

L-KLS2-THREDRC-5.08-XXP-X

RoHS

Terminal Block

Pitch:5.08mm

No.:Of (02~24) Pin

Color:

1=Gray 2=Blue 3=Black

4=Green 5=Orange 6=Red

7=Transp 8=Yellow 9=White

ANGLE TOLERANCE	PROJECTION	Description:
±3°		Pitch 5.08mm Pluggable Terminal Block,Socket
GENERAL TOLERANCE	UNITS	mm
0~30	±0.50	SHEET SIZE
30~60	±0.75	Draw:
60~90	±1.00	Check:
		KLS P/N:
		L-KLS2-THREDRC-5.08-XXP-X
		2024-10-8
		2024-10-8



NingBo KLS ELECTRONIC CO.,L TD.