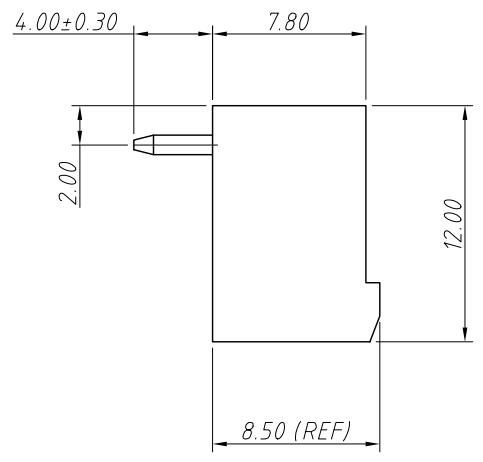
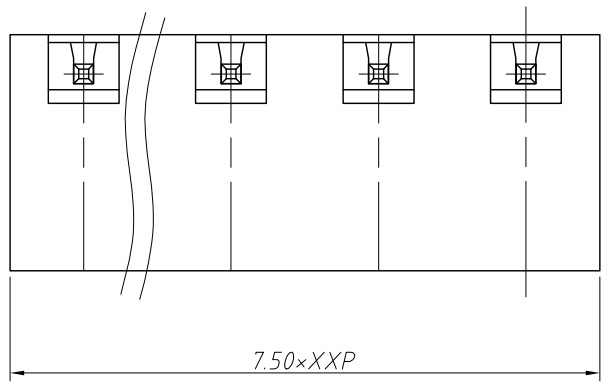


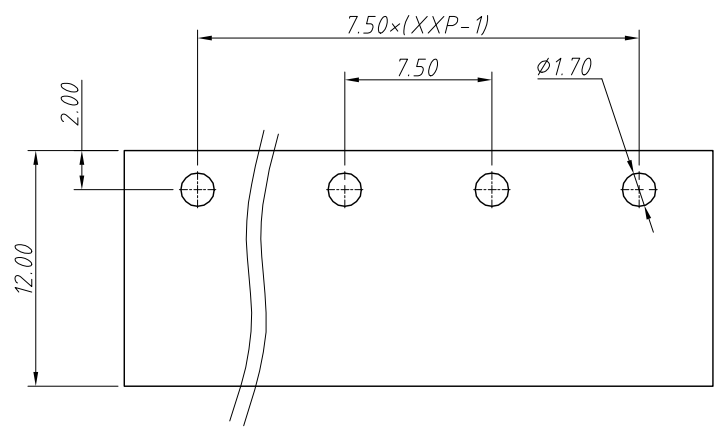
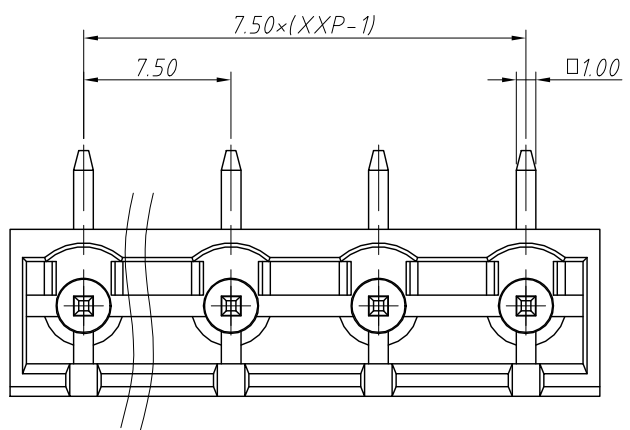
1
RoHS Compliance

6		7		8	
REV	SYM	Revision Record		Appr.	Date
V0	KLS02006	New Version Release		WuHao	2024-11-04



Electrical Characteristics	UL	IEC
Rated Voltage	300V	400V
Rated Current	15A	10A
Withstand Voltage	1600V/1 min	6.0 KV

Material and other:
 Housing:PA66, UL 94V-0
 Pin Header:Copper Alloy,Sn Plated
 Operating Temperature:-40°C ~ +105°C
 Soldering Temperature:+260°C For 5 Sec



Order Information
L-KLS2-EDRC-7.50-XXP-X

RoHS
 Terminal Block
 Pitch:7.50mm
 No.:Of (02~24) Pin
 Color:

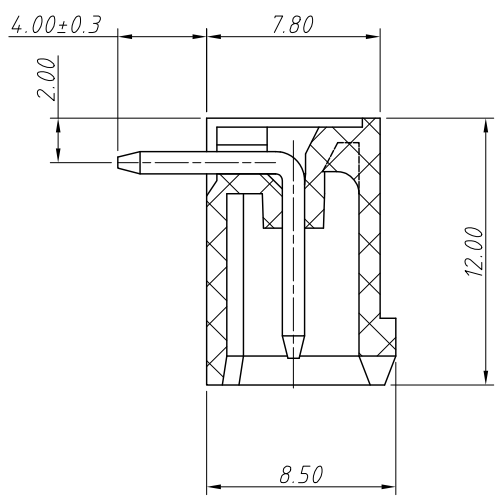
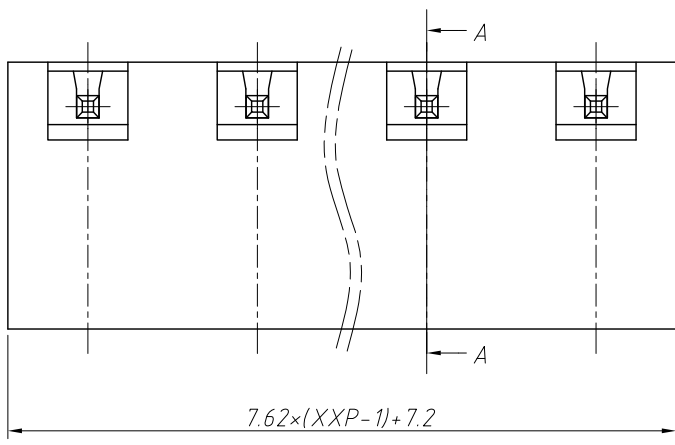
1=Gray	2=Blue	3=Black
4=Green	5=Orange	6=Red
7=Transp	8=Yellow	9=White

ANGLE TOLERANCE	PROJECTION	Description:			
±3°		Pitch 7.50mm Terminal Block			
GENERAL TOLERANCE	UNITS	mm	KLS P/N:	L-KLS2-EDRC-7.50-XXP-X	
0~30	±0.50	SHEET SIZE	A4		
30~60	±0.75	Draw:	WuHao	2024-11-04	
60~90	±1.00	Check:	Daniel	2024-11-04	

NingBo KLS ELECTRONIC CO.,L TD.

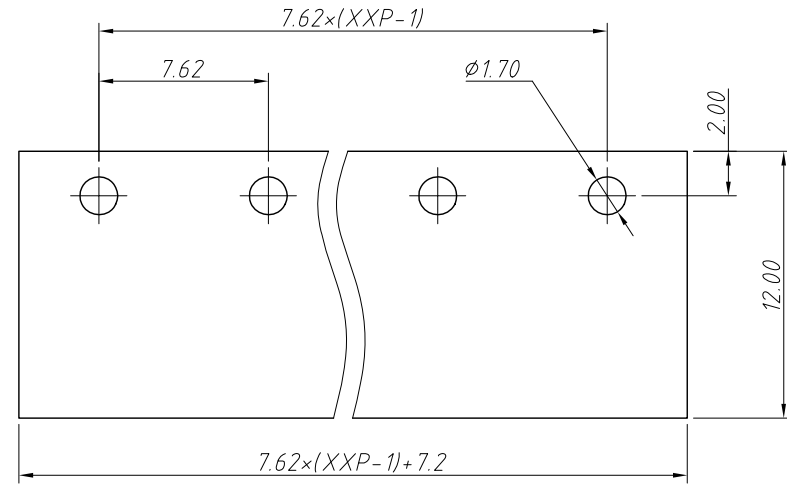
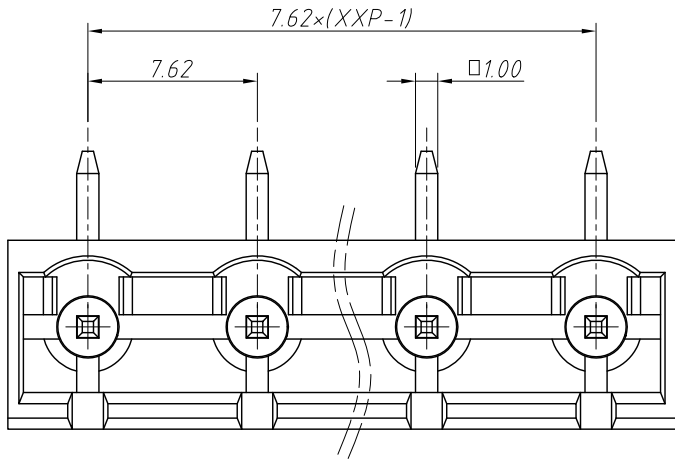
1
RoHS Compliance

6		7		8	
REV	SYM	Revision Record		Appr.	Date
V0	KLS02006	New Version Release		WuHao	2024-11-04



Electrical Characteristics	UL	IEC
Rated Voltage	300V	450V
Rated Current	15A	17.5A
Withstand Voltage	AC2000V/1 min	---

Material and other:
 Housing:PA66, UL 94 V-0
 Pin Header:Brass, Tin Plated
 Contact resistance:20mΩ MAX
 Insulation resistance:500MΩ/DC500V
 Temp. Range:-40°C ~ +105°C
 Soldering:+250°C For 5 Sec



Order Information
L-KLS2-EDRC-7.62-XXP-X

RoHS
 Terminal Block
 Pitch:7.62mm
 No.:Of (02~24) Pin
 Color:

1=Gray	2=Blue	3=Black
4=Green	5=Orange	6=Red
7=Transp	8=Yellow	9=White

ANGLE TOLERANCE	PROJECTION	Description:			
±3°		Pitch 7.62mm Terminal Block			
GENERAL TOLERANCE	UNITS	mm	KLS P/N:		
0~30	±0.50	SHEET SIZE	A4	L-KLS2-EDRC-7.62-XXP-X	
30~60	±0.75	Draw:	WuHao	2024-11-04	
60~90	±1.00	Check:	Daniel	2024-11-04	

NingBo KLS ELECTRONIC CO.,L TD.