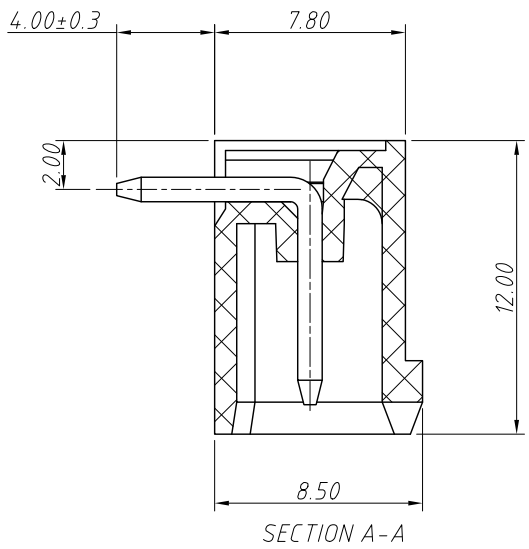
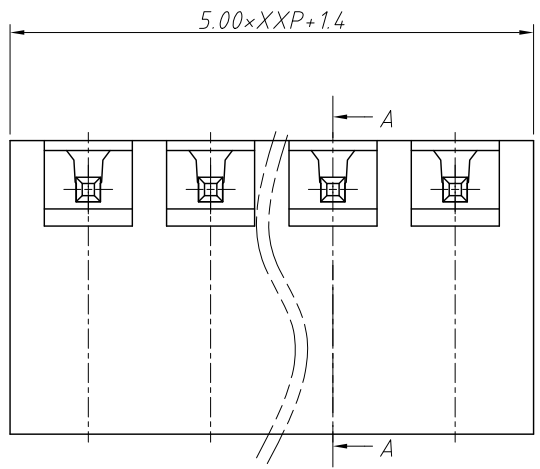


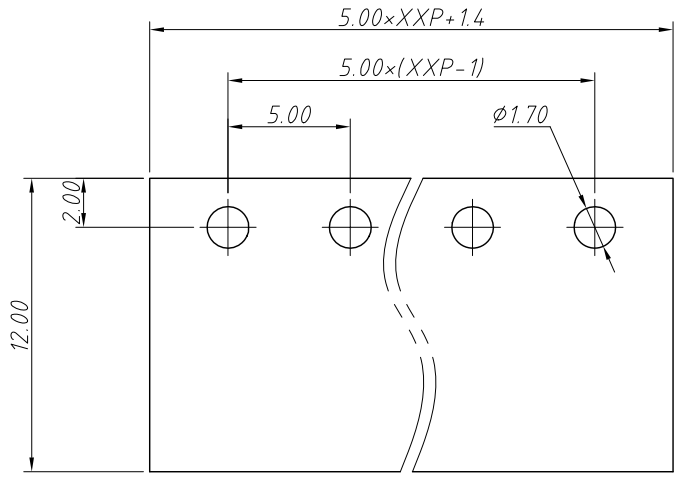
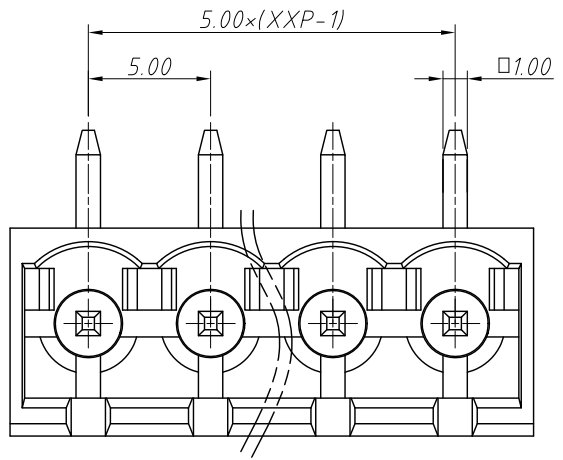
1  
RoHS Compliance

6		7		8	
REV	SYM	Revision Record	Appr.	Date	
V0	KLS02006	New Version Release	WuHao	2024-11-04	



Electrical Characteristics	UL	IEC
Rated Voltage	300V	450V
Rated Current	15A	17.5A
Withstand Voltage	AC 2000V/1 min	---

Material and other:  
 Housing: PA66, UL 94V-0  
 Pin Header: Brass, Tin Plated  
 Contact resistance: 20mΩ MAX  
 Insulation resistance: 500MΩ/DC500V  
 Temp. Range: -40°C ~ +105°C  
 Soldering: +250°C For 5 Sec



Order Information  
 L-KLS2-EDRC-5.00-XXP-X

RoHS Terminal Block  
 Pitch: 5.00mm  
 No.: Of (02 ~ 24) Pin  
 Color:

1=Gray	2=Blue	3=Black
4=Green	5=Orange	6=Red
7=Transp	8=Yellow	9=White

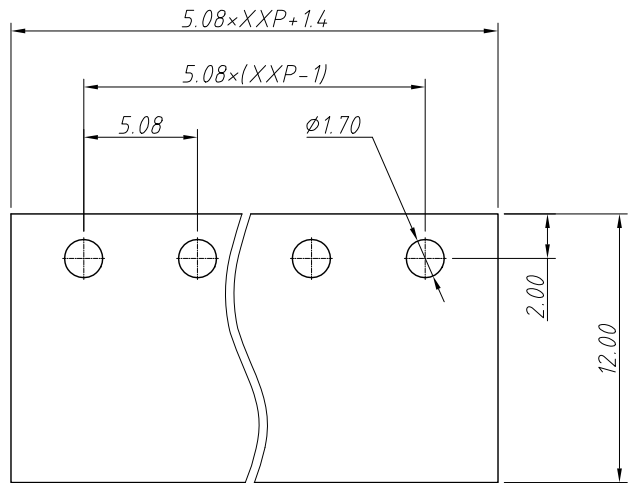
Recommended PCB Layout

ANGLE TOLERANCE	PROJECTION	Description:			
±3°		Pitch 5.00mm Terminal Block			
GENERAL TOLERANCE	UNITS	mm	KLS P/N:	L-KLS2-EDRC-5.00-XXP-X	
0 ~ 30	±0.50	SHEET SIZE	A4		
30 ~ 60	±0.75	Draw:	WuHao	2024-11-04	
60 ~ 90	±1.00	Check:	Daniel	2024-11-04	

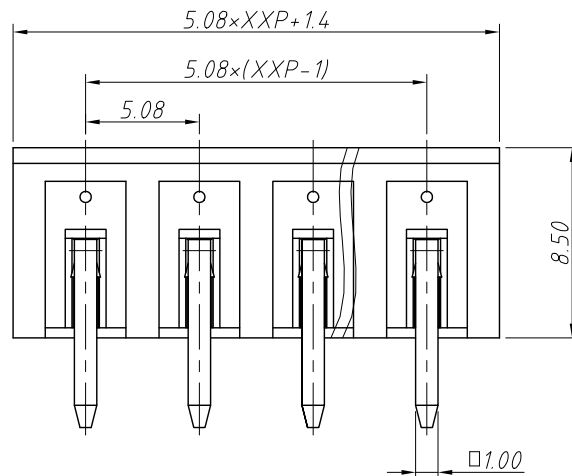
NingBo KLS ELECTRONIC CO.,L TD.

1  
RoHS Compliance

7	8			
REV	SYM	Revision Record	Appr.	Date
V0	KLS02006	New Version Release	WuHao	2024-11-04

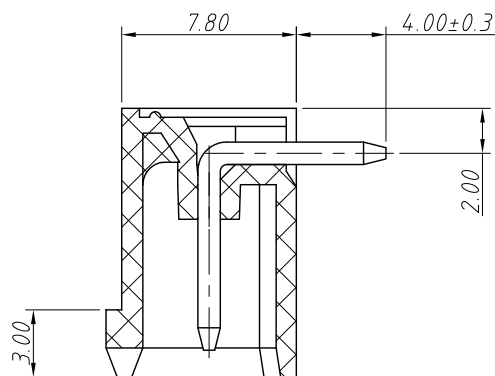


Recommended PCB Layout

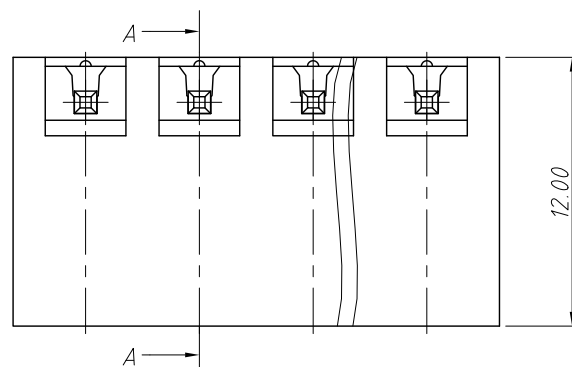


Electrical Characteristics	UL	IEC
Rated Voltage	300V	450V
Rated Current	15A	17.5A
Withstand Voltage	AC 2000V/1 min	---

Material and other:  
 Housing:PA66, UL 94V-0  
 Pin Header:Brass, Tin Plated  
 Contact resistance:20m $\Omega$  MAX  
 Insulation resistance:500M $\Omega$ /DC500V  
 Temp. Range:-40 $^{\circ}$ C ~ +105 $^{\circ}$ C  
 Soldering:+250 $^{\circ}$ C For 5 Sec

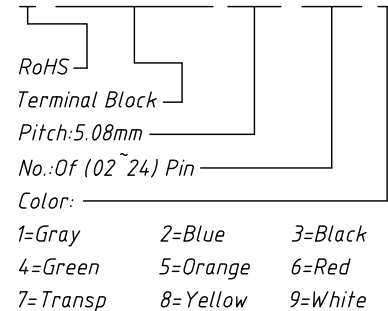


SECTION A-A



Order Information

L-KLS2-EDRC-5.08-XXP-X



- Color: 1=Gray 2=Blue 3=Black  
 4=Green 5=Orange 6=Red  
 7=Transp 8=Yellow 9=White

ANGLE TOLERANCE	PROJECTION	Description:
$\pm 3^{\circ}$		Pitch 5.08mm Terminal Block
GENERAL TOLERANCE	UNITS	mm
0~30	$\pm 0.50$	SHEET SIZE
30~60	$\pm 0.75$	Draw:
60~90	$\pm 1.00$	Check:
		WuHao 2024-11-04
		Daniel 2024-11-04
		KLS NingBo KLS ELECTRONIC CO.,L TD.



NingBo KLS ELECTRONIC CO.,L TD.