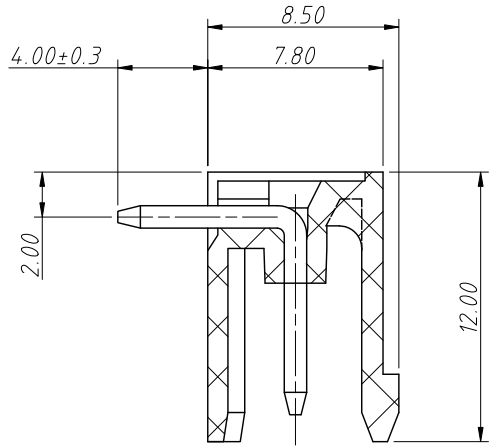
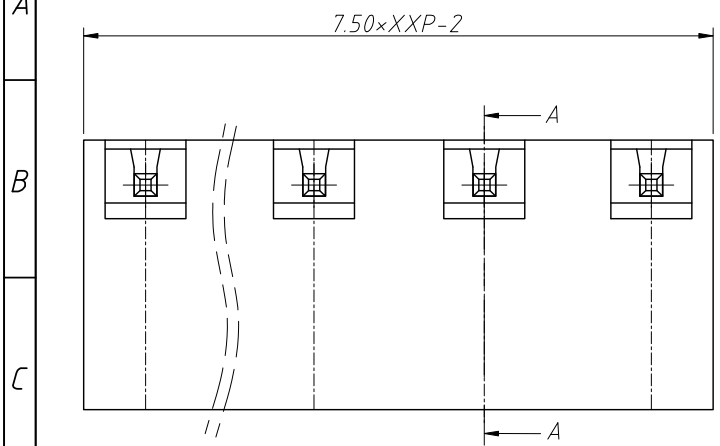


1
RoHS Compliance

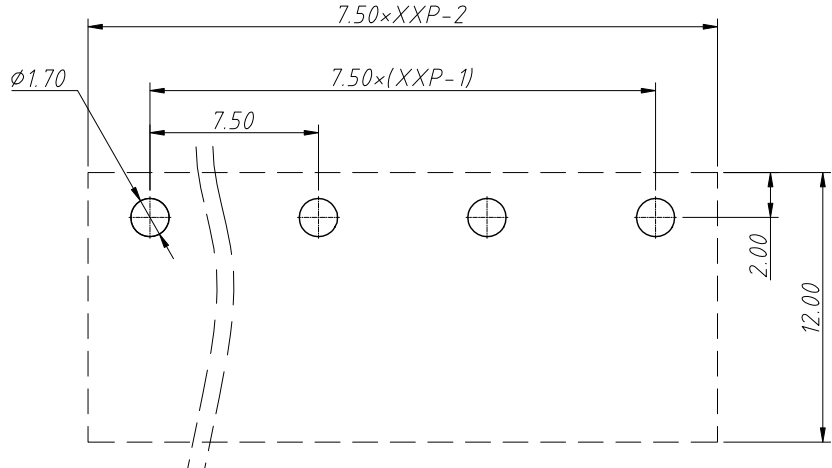
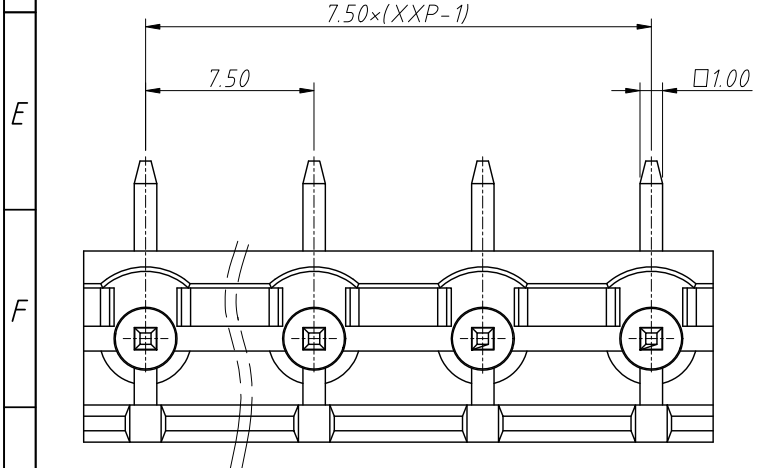


SECTION: A-A

REV	SYM	Revision Record	Appr.	Date
V0	KLS02006	New Version Release	WuHao	2024-09-26

Electrical Characteristics	UL	IEC
Rated Voltage	300V	450V
Rated Current	15A	17.5A
Withstand Voltage	AC2000V/1min	---

Material and other:
 Housing: PA66, UL94 V-0
 Pin Header: Brass, Tin Plated
 Contact resistance: 20mΩ
 Insulation resistance: 500MΩ/DC500V
 MAX Soldering: +250°C, for 5 Sec
 Temp. Range: -40°C ~ +105°C



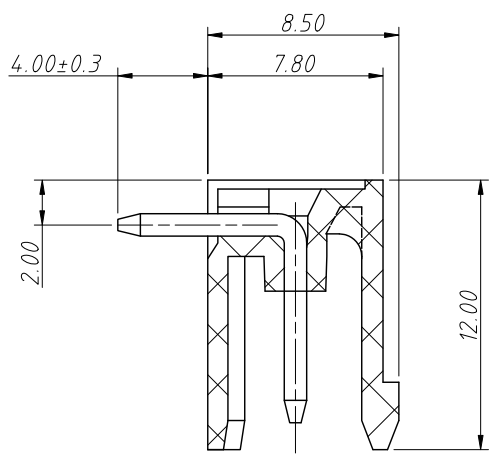
Recommended PCB Layout

Order Information
L-KLS2-EDR-7.50-XXP-X
 RoHS
 Terminal Block
 Pitch: 7.50mm
 No. Of (02~24) Pin
 Color:
 1=Gray 2=Blue 3=Black
 4=Green 5=Orange 6=Red
 7=Transp 8=Yellow 9=White

ANGLE TOLERANCE	PROJECTION	Description:
±3°		Pitch 7.50mm Pluggable Terminal Block, Socket
GENERAL TOLERANCE	UNITS	mm
0~30 ±0.50	SHEET SIZE	A4
30~60 ±0.75	Draw:	WuHao 2024-09-26
60~90 ±1.00	Check:	Daniel 2024-09-26
		NingBo KLS ELECTRONIC CO.,L TD.

1 RoHS Compliance

2 $7.62 \times (XXP-1) + 5.6$



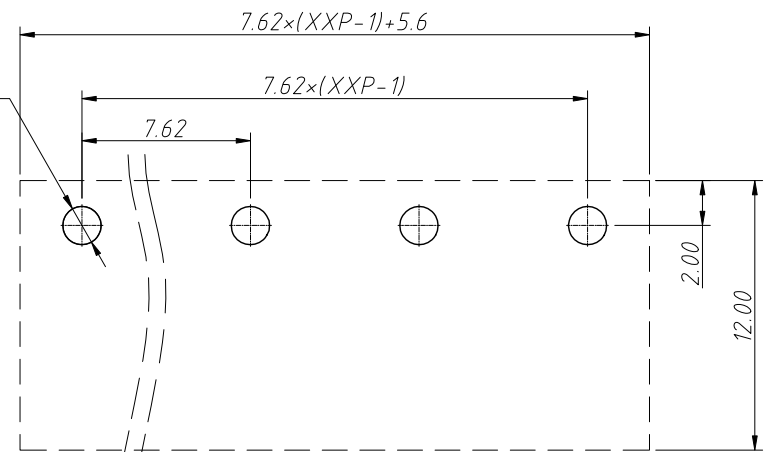
SECTION: A-A

6	7	8		
REV	SYM	Revision Record	Appr.	Date
V0	KLS02006	New Version Release	WuHao	2024-09-26

Electrical Characteristics	UL	IEC
Rated Voltage	300V	450V
Rated Current	15A	17.5A
Withstand Voltage	AC2000V/1min	---

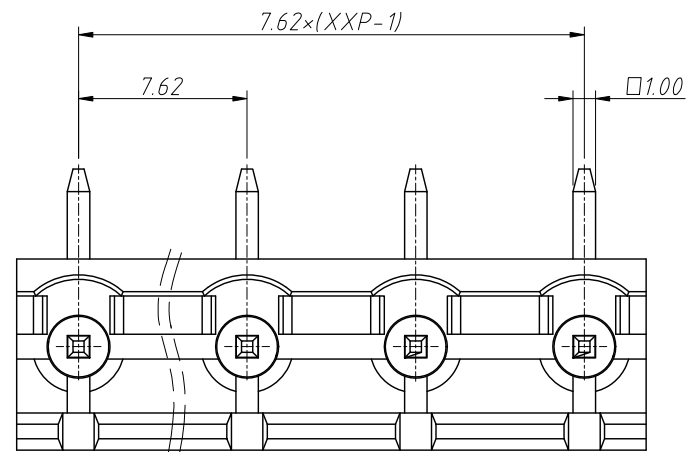
Material and other:
 Housing: PA66, UL94 V-0
 Pin Header: Brass, Tin Plated
 Contact resistance: 20mΩ
 Insulation resistance: 500MΩ/DC500V
 MAX Soldering: +250°C, for 5 Sec
 Temp. Range: -40°C ~ +105°C

3 $7.62 \times (XXP-1)$



Recommended PCB Layout

Order Information
L-KLS2-EDR-7.62-XXP-X
 RoHS
 Terminal Block
 Pitch: 7.62mm
 No. Of (02~24) Pin
 Color:
 1=Gray 2=Blue 3=Black
 4=Green 5=Orange 6=Red
 7=Transp 8=Yellow 9=White



ANGLE TOLERANCE	PROJECTION	Description:		
±3°		Pitch 7.62mm Pluggable Terminal Block, Socket		
GENERAL TOLERANCE	UNITS	mm	KLS P/N:	L-KLS2-EDR-7.62-XXP-X
0~30	±0.50	SHEET SIZE	A4	NingBo KLS ELECTRONIC CO.,L TD.
30~60	±0.75	Draw:	WuHao 2024-09-26	
60~90	±1.00	Check:	Daniel 2024-09-26	