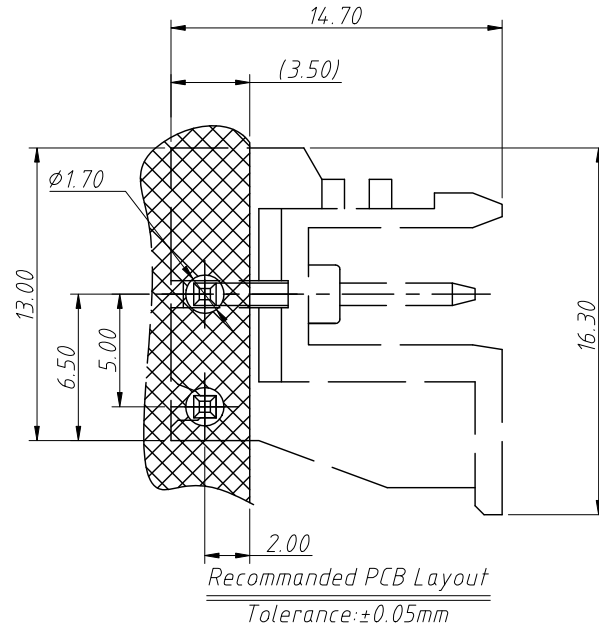
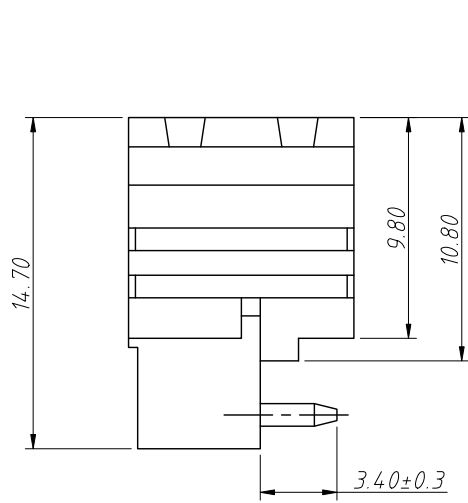


1 RoHS Compliance

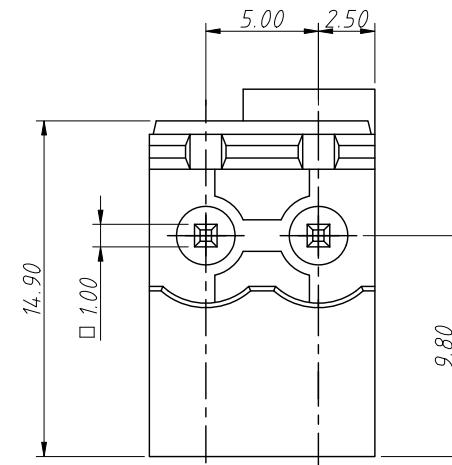
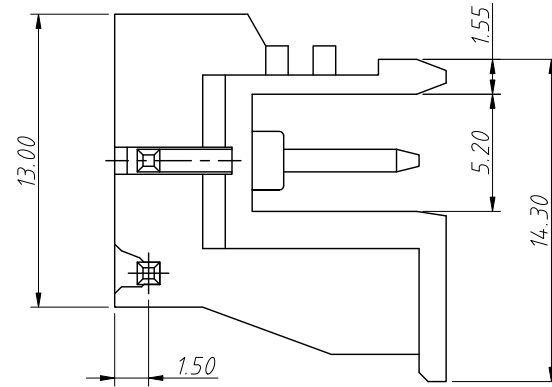
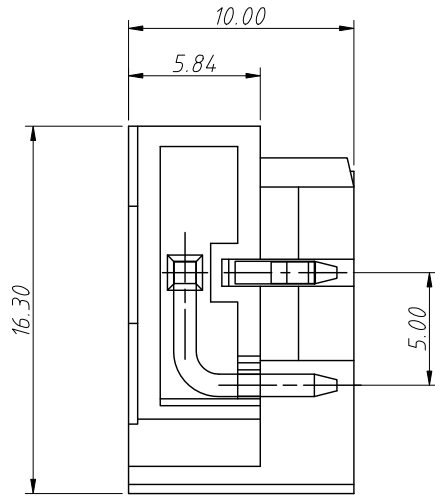
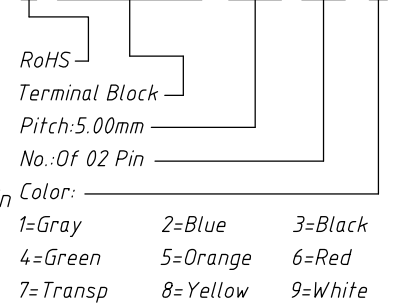
REV	SYM	Revision Record	Appr.	Date
V0	KLS02006	New Version Release	Song	2024-10-30



Material and other:  
 Housing: PA66, UL 94V-0  
 Pin Header: Copper Alloy, Sn Plated  
 Contact Resistance: 20mΩ Max  
 Insulation Resistance: 500MΩ/DC500V Min  
 Temp. Range: -40°C ~ +105°C  
 MAX Soldering: 250°C For 5S

Electrical Characteristics	UL	IEC
Rated Voltage	300V	320V
Rated Current	12A	15A
Withstand Voltage	AC2000V/1 min	---

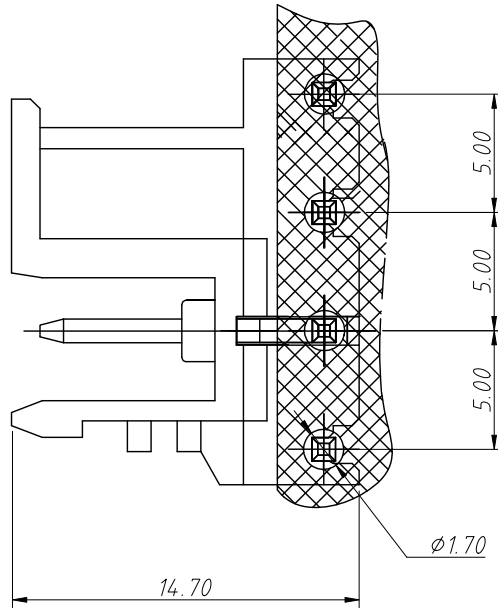
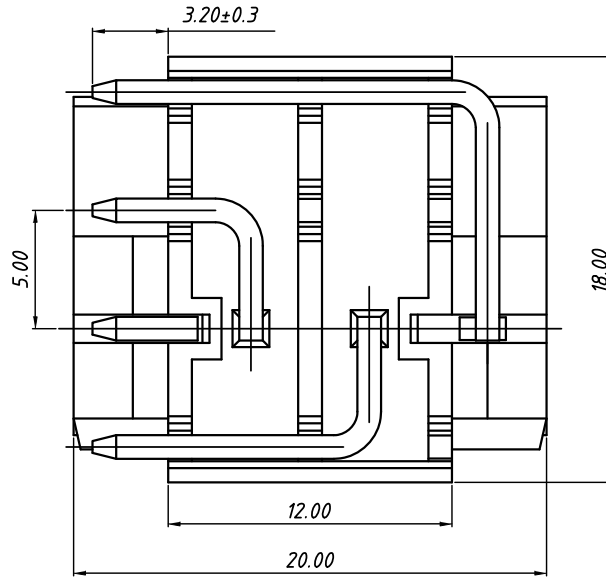
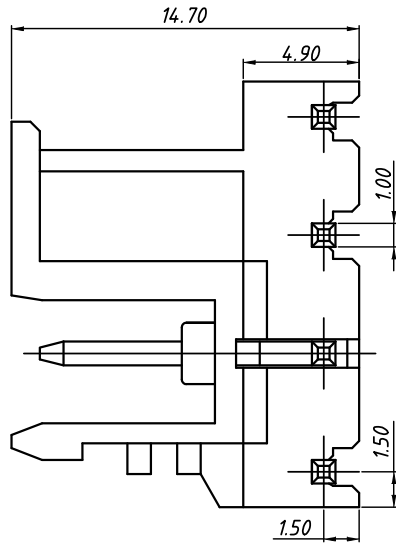
Order Information  
 L-KLS2-EDLF-5.00-02P-X



ANGLE TOLERANCE	PROJECTION	Description:
±3°		Pitch 5.00mm Terminal Block
GENERAL TOLERANCE	UNITS	mm
0°~30° ±0.50	SHEET SIZE	A4
30°~60° ±0.75	Draw:	Song 2024-10-30
60°~90° ±1.00	Check:	Daniel 2024-10-30
		KLS electronic NingBo KLS ELECTRONIC CO.,LTD.



1 RoHS Compliance



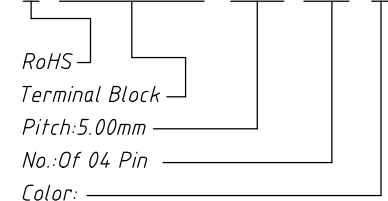
Recommended PCB Layout  
Tolerance:±0.05mm

6	7	8
REV	SYM	Revision Record
V0	KLS02006	New Version Release
		Appr. Song
		Date 2024-10-30

Electrical Characteristics	UL	IEC
Rated Voltage	300V	320V
Rated Current	12A	15A
Withstand Voltage	AC2000V/1 min	---

Order Information

L-KLS2-EDLF-5.00-04P-X



- Color:
- 1=Gray      2=Blue      3=Black
  - 4=Green    5=Orange    6=Red
  - 7=Transp    8=Yellow    9=White

Material and other:

Housing:PA66, UL 94 V-0

Pin Header:Copper Alloy,Sn Plated

Contact Resistance:20mΩ Max

Insulation Resistance:500MΩ/DC500V Min

Temp. Range:-40°C ~ +105°C

MAX Soldering:250°C For 5S

ANGLE TOLERANCE	PROJECTION	Description:
±3°		Pitch 5.00mm Terminal Block
GENERAL TOLERANCE	UNITS	mm
0~30	±0.50	
30~60	±0.75	
60~90	±1.00	
SHEET SIZE	A4	
Draw:	Song	2024-10-30
Check:	Daniel	2024-10-30
KLS electronic		NingBo KLS ELECTRONIC CO.,LTD.