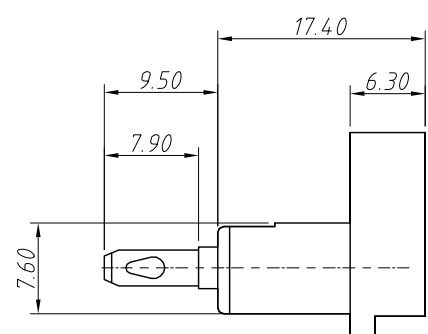
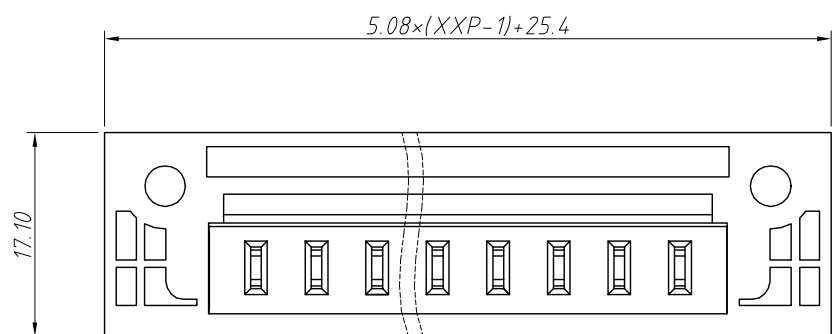


1 RoHS Compliance

REV	SYM	Revision Record	Appr.	Date
V0	KLS02006	New Version Release	WuHao	2024-09-25

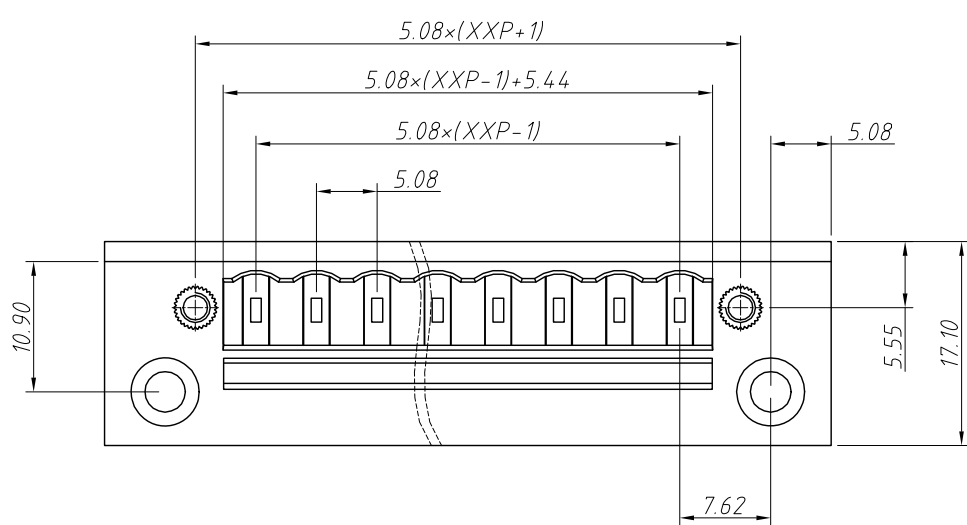
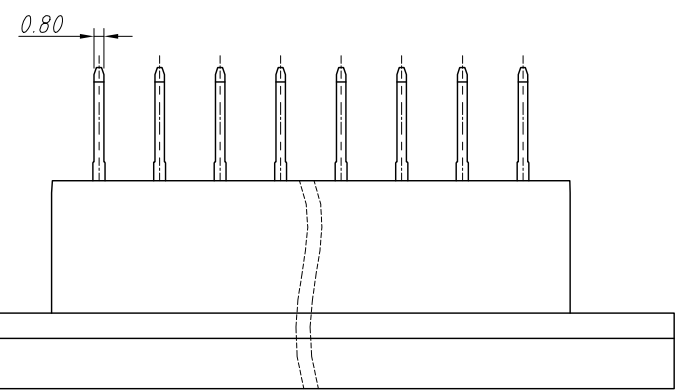
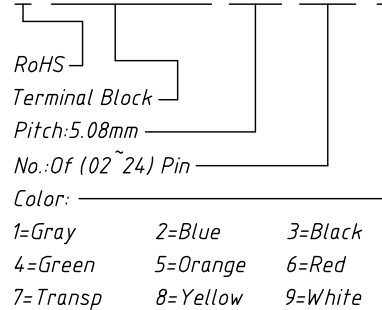


Electrical Characteristics	UL	IEC
Rated Voltage	300V	320V
Rated Current	15A	12A
Withstand Voltage	1600V/1 min	4.0KV

Material and other:  
 Housing:PA66,UL 94V-0  
 Pin Header:Coppo Alloy,Sn Plated  
 Operating Temperature:-40°C ~ +105°C  
 Soldering Temperature:260°C/5S

Order Information

L-KLS2-EDGM-5.08-XXP-X



ANGLE TOLERANCE	PROJECTION	Description:
±3°		Pitch 5.08mm Pluggable Terminal Block,Socket
GENERAL TOLERANCE	UNITS	KLS P/N:
0~30 ±0.50	mm	L-KLS2-EDGM-5.08-XXP-X
30~60 ±0.75	SHEET SIZE	
60~90 ±1.00	A4	
	Draw:	WuHao 2024-09-25
	Check:	Daniel 2024-09-25

