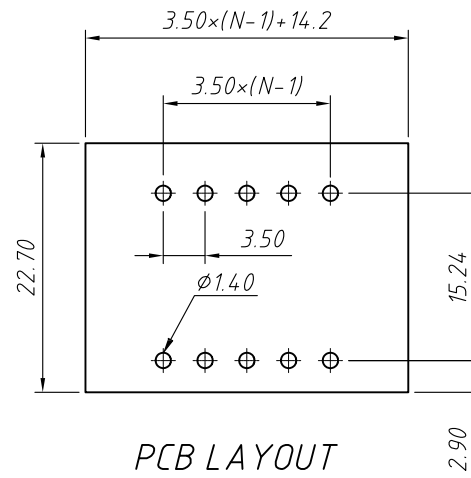
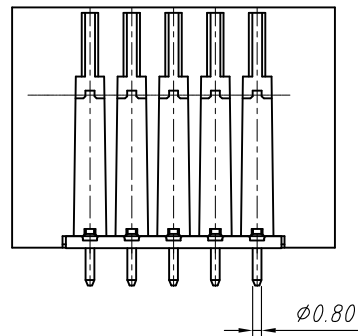


SECTION A-A



PCB LAYOUT

Material
Housing: PA66, UL 94V-0
Pin header: Brass, Tin plated
Nut: M2.5, Brass

Electrical
Rated voltage: 300V
Rated current: 8A
Contact Resistance: 20 mΩ
Insulation resistance: 500MΩ/DC500V
Withstand voltage: AC2000V / 1 min

Mechanical
Temp. Range: -40 °C ~ +105 °C

Order Information

L-KLS2-EDBVM-3.50-XXP-4 S 00

RoHS
Terminal Block
Pitch
No.: of Pole
Color: 4- Green
Screw: S-Slot Screw C-Cross Screw
Product Code: 00~99

GENERAL TOLERANCE		ANGLE TOLERANCE		Description:	
X. ±0.60	.X ±0.38	.X ±5°	.X ±3°	Pluggable Terminal Block 3.5 MM	
.XX ±0.25		.XX ±2°			
Draw by	2015-09-01	PROJECTION		KLS P/N:	KLS2-EDBVM-3.50-XXP-4S-00
Check by	2015-09-15	UNITS	mm	NingBo KLS ELECTRONIC CO.,L TD.	
SCALE		SHEET SIZE	A4		

1 RoHS Compliance

REV	SYM	Revision Record	Appr.	Date
V0	KLS02006	New Version Release	WuHao	2024-10-29

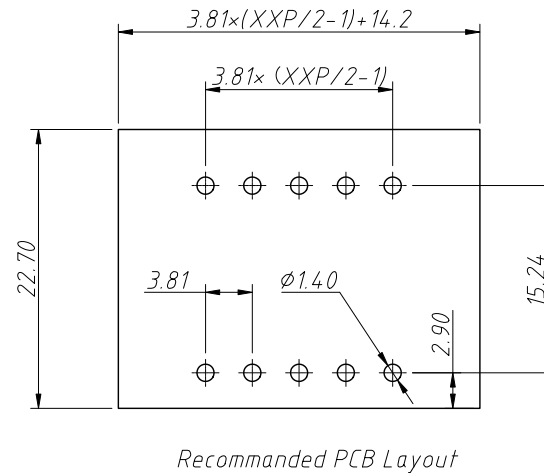
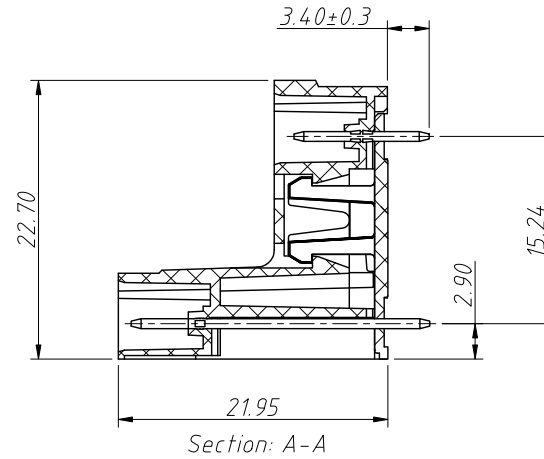
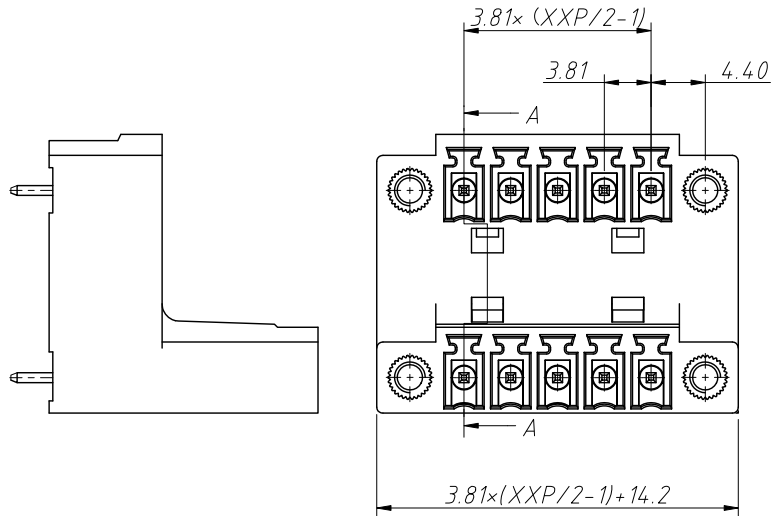
Electrical Characteristics	UL	IEC
Rated Voltage	300V	250V
Rated Current	8A	10A
Withstand Voltage	AC2000V/1 min	---

Material and other:
 Housing:PA66, UL94V-0
 Pin Header:Brass,Tin Plated
 Nut:M2.5,Brass
 Contact Resistance:20mΩ Max
 Insulation Resistance:500MΩ/DC500V Min
 Temp.Range:-40°C ~ +105°C
 Soldering:+250°C For 5 S Max

Order Information

L-KLS2-EDBVM-3.81-XXP-4 09

RoHS
 Terminal Block
 Pitch:3.81mm
 No.:Of (04 ~ 48) Pin
 Color:
 1=Gray 2=Blue 3=Black
 4=Green 5=Orange 6=Red
 7=Transp 8=Yellow 9=White
 Product Code:00 ~ 99



Recommended PCB Layout

ANGLE TOLERANCE	PROJECTION	Description:
±3°		Pitch 3.81mm Terminal Block
GENERAL TOLERANCE	UNITS	mm
0 ~ 30	±0.50	KLS P/N:
30 ~ 60	±0.75	SHEET SIZE
60 ~ 90	±1.00	A4
Draw:	WuHao	2024-10-29
Check:	Daniel	2024-10-29
		L-KLS2-EDBVM-3.81-XXP-409
		NingBo KLS ELECTRONIC CO.,L TD.