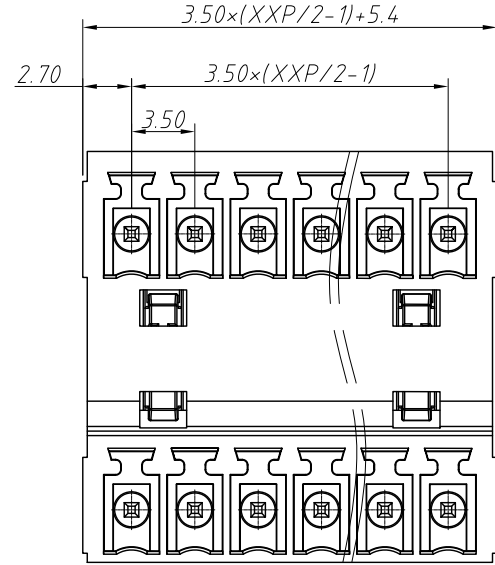
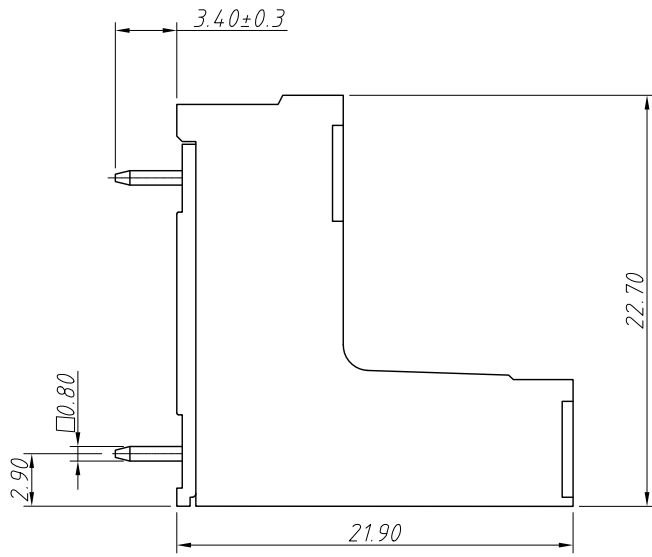


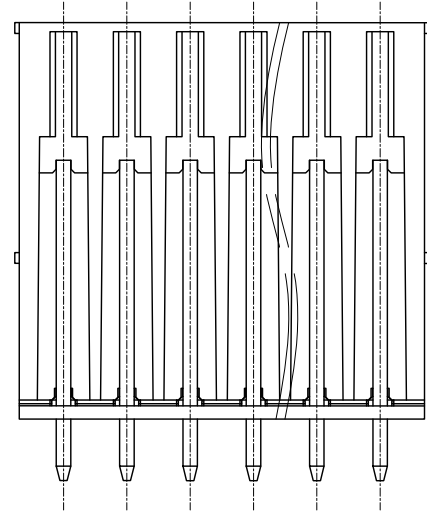
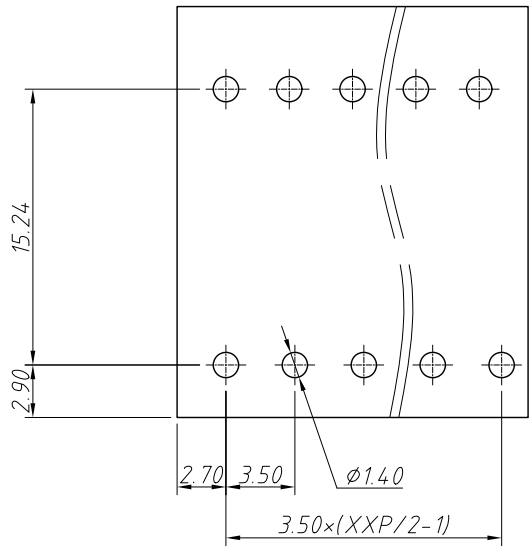
1
RoHS Compliance

6		7		8	
REV	SYM	Revision Record		Appr.	Date
V0	KLS02006	New Version Release		WuHao	2024-10-28



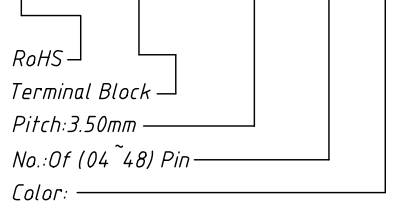
Electrical Characteristics	UL	IEC
Rated Voltage	300V	160V
Rated Current	8A	7A
Withstand Voltage	1600V/1 min	2.5 KV

Material and other:
 Housing/Cover:PA66, UL 94V-0
 Pin Header:Copper Alloy,Sn Plated
 Operating temperature:-40°C ~ +105°C
 Soldering Temperature:+260°C For 5 Sec Max



Order Information

L-KLS2-EDBV-3.50-XXP-X



- RoHS
 Terminal Block
 Pitch:3.50mm
 No.:Of (04~48) Pin
 Color:
- 1=Gray 2=Blue 3=Black
 - 4=Green 5=Orange 6=Red
 - 7=Transp 8=Yellow 9=White

Recommended PCB Layout

ANGLE TOLERANCE	PROJECTION	Description:			
±3°		Pitch 3.50mm Terminal Block			
GENERAL TOLERANCE	UNITS	mm	KLS P/N:		
0~30	±0.50	SHEET SIZE	A4		
30~60	±0.75	Draw:	WuHao	2024-10-28	
60~90	±1.00	Check:	Daniel	2024-10-28	



NingBo KLS ELECTRONIC CO.,L TD.

1 RoHS Compliance

REV	SYM	Revision Record	Appr.	Date
V0	KLS02006	New Version Release	WuHao	2024-10-29

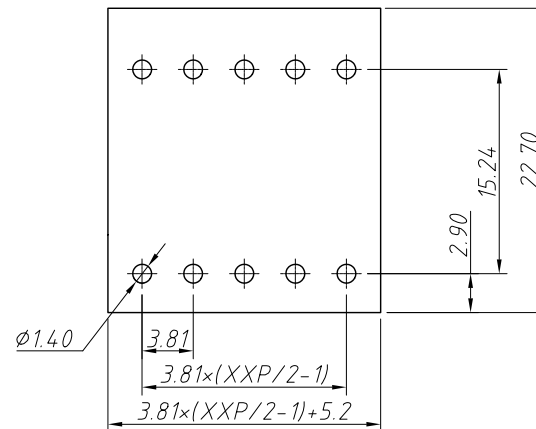
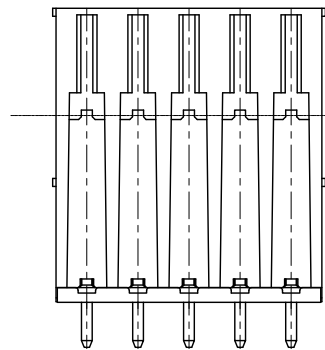
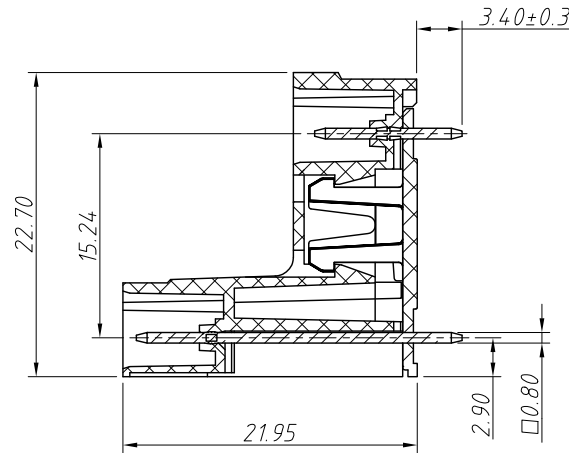
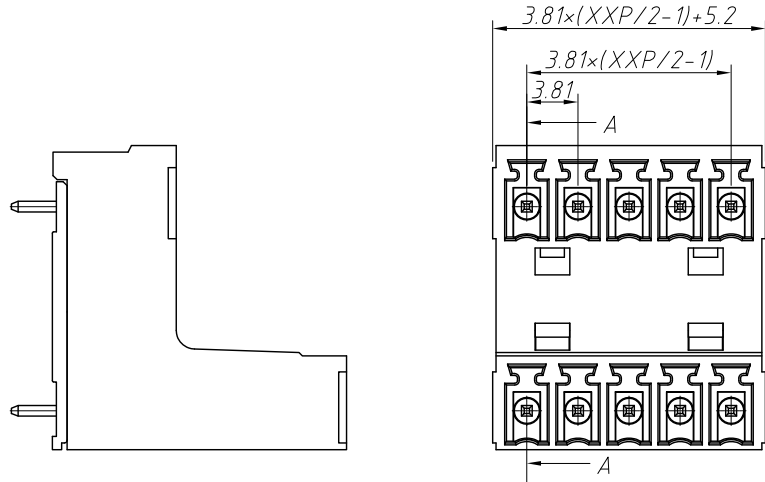
Electrical Characteristics	UL	IEC
Rated Voltage	300V	250V
Rated Current	8A	10A
Withstand Voltage	AC2000V/1 min	---

Material and other:
 Housing:PA66, UL 94V-0
 Pin Header:Brass, Tin Plated
 Contact Resistance:20mΩ Max
 Insulation Resistance:500MΩ/DC500V Min
 Temp. Range:-40°C ~ +105°C
 Soldering:+250°C For 5 Sec Max

Order Information

L-KLS2-EDBV-3.81-XXP-X

RoHS
 Terminal Block
 Pitch:3.81mm
 No.:Of (04~48) Pin
 Color:
 1=Gray 2=Blue 3=Black
 4=Green 5=Orange 6=Red
 7=Transp 8=Yellow 9=White



Recommended PCB Layout

ANGLE TOLERANCE	PROJECTION	Description:
±3°		Pitch 3.81mm Terminal Block
GENERAL TOLERANCE	UNITS	mm
0~30	±0.50	SHEET SIZE
30~60	±0.75	Draw:
60~90	±1.00	Check:
		KLS P/N:
		L-KLS2-EDBV-3.81-XXP-X



NingBo KLS ELECTRONIC CO.,L TD.