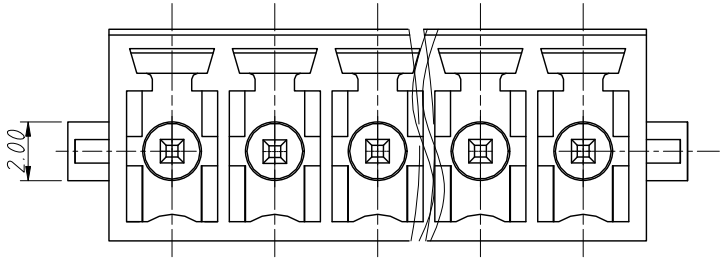
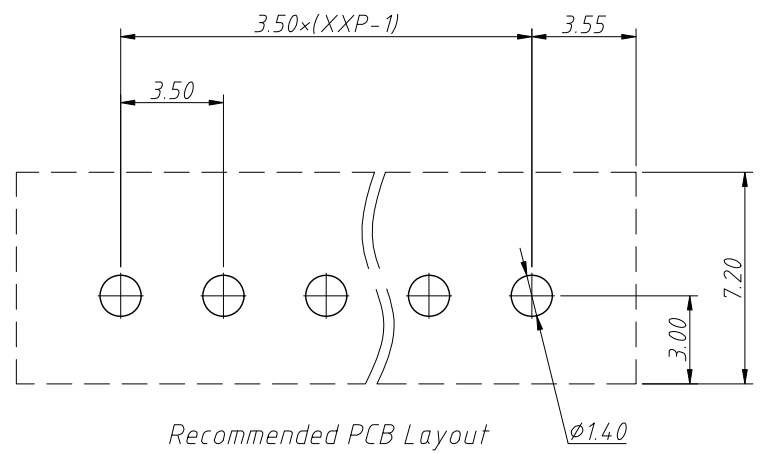


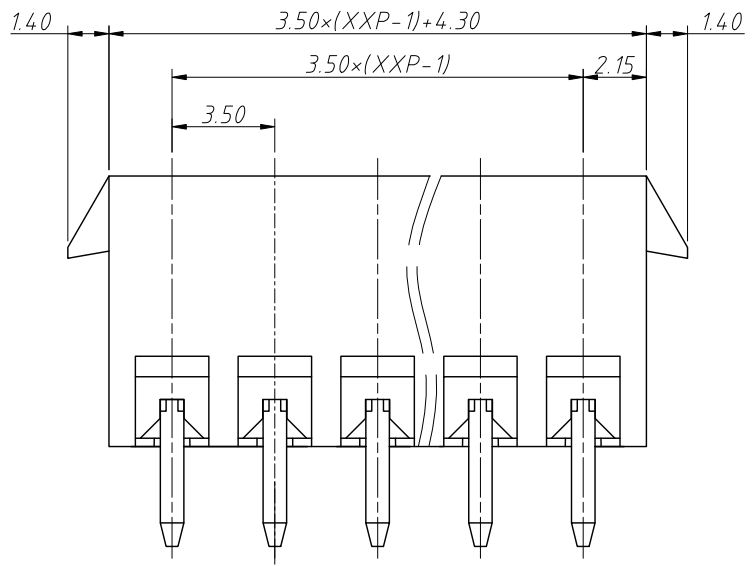
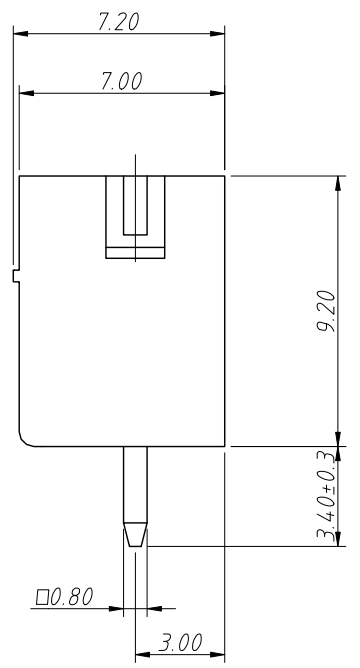
1
RoHS Compliance

2	3	4	5	6	7	8
REV	SYM	Revision Record		Appr.	Date	
V0	KLS02006	New Version Release		WuHao	2024-09-27	



Electrical Characteristics	UL	IEC
Rated Voltage	300V	160V
Rated Current	8A	7A
Withstand Voltage	1600V/1 min	2.5KV

Material and other:
 Material and other:
 Housing :PA66,UL 94 V-0
 Pin Header:Coppo Alloy,Sn Plated
 Operating Temperature:-40°C ~ +105°C



Order Information
 L-KLS2-EDVG-3.50-XXP-X

RoHS
 Terminal Block
 Pitch:3.50mm
 No.:Of (02~24) Pin
 Color:
 1=Gray 2=Blue 3=Black
 4=Green 5=Orange 6=Red
 7=Transp 8=Yellow 9=White

ANGLE TOLERANCE	PROJECTION	Description:	
±3°		Pitch 3.50mm Pluggable Terminal Block,Socket	
GENERAL TOLERANCE	UNITS	mm	KLS P/N:
0~30 ±0.50	SHEET SIZE	A4	L-KLS2-EDVG-3.50-XXP-X
30~60 ±0.75	Draw:	WuHao	2024-09-27
60~90 ±1.00	Check:	Daniel	2024-09-27

