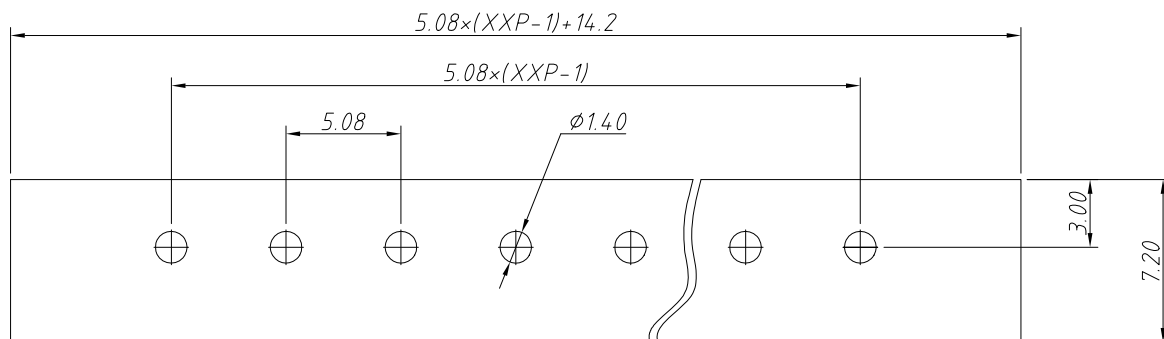
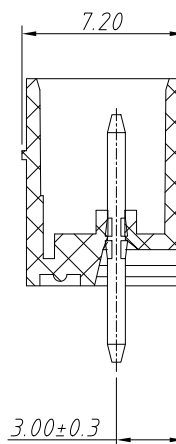
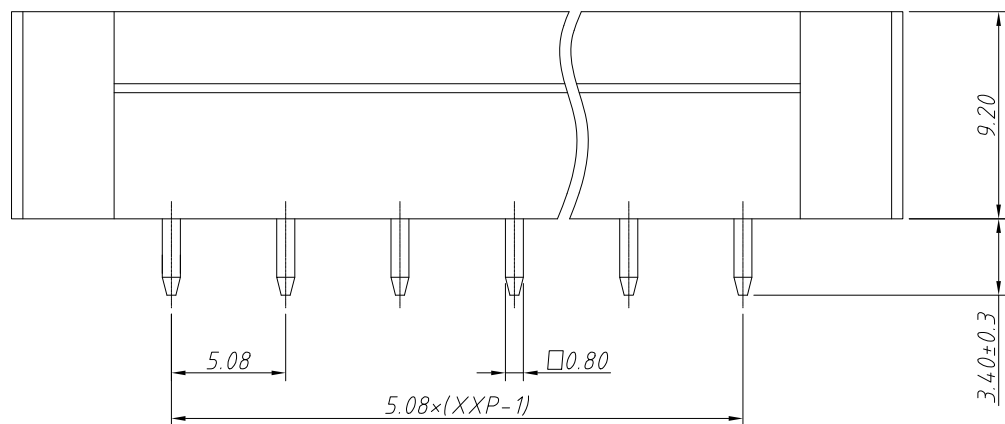
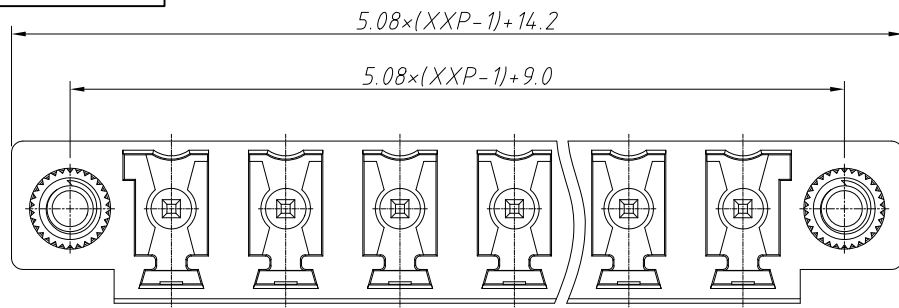


1 RoHS Compliance

6	7	8		
REV	SYM	Revision Record	Appr.	Date
V0	KLS02006	New Version Release	WuHao	2024-11-01



Recommended PCB Layout

Electrical Characteristics	UL	IEC
Rated Voltage	300V	250V
Rated Current	8A	10A
Withstand Voltage	AC2000V/1 min	---

Material and other:

Housing: PA66, UL 94V-0

Pin Header: Copper Alloy, Sn Plated

Contact resistance: $20m\Omega$ MAX

Insulation resistance: $500M\Omega$ /DC500V

Temp. Range: $-40^{\circ}C \sim +105^{\circ}C$

Soldering: $+250^{\circ}C$, for 5 Sec

Order Information

L-KLS2-EDKFVM-5.08-XXP-X

RoHS

Terminal Block

Pitch: 5.08mm

No.: Of (02~24) Pin

Color: 1=Gray 2=Blue 3=Black

4=Green 5=Orange 6=Red

7=Transp 8=Yellow 9=White

ANGLE TOLERANCE	PROJECTION	Description:		
$\pm 3^{\circ}$		Pitch 5.08mm Terminal Block		
GENERAL TOLERANCE	UNITS	mm	KLS P/N:	L-KLS2-EDKFVM-5.08-XXP-X
0~30	± 0.50	SHEET SIZE	A4	
30~60	± 0.75	Draw:	WuHao	2024-11-01
60~90	± 1.00	Check:	Daniel	2024-11-01



NingBo KLS ELECTRONIC CO.,L TD.