

1 RoHS Compliance

6	7	8
REV	SYM	Revision Record
V0	KLS02006	New Version Release
		Appr.
		WuHao
		Date
		2024-10-28

Electrical Characteristics	UL	IEC
Rated Voltage	300V	250V
Rated Current	8A	7A
Withstand Voltage	AC2000V/1 min	---

Material and other:  
 Housing:PA66, UL94V-0  
 Pin Header:Copper Alloy,Sn Plated  
 Nut:Copper Alloy  
 Contact Resistance:20mΩ Max  
 Insulation Resistance:500MΩ/DC500V Min  
 Temp.Range:-40°C ~ +105°C  
 Soldering:+250°C / 5 S Max

Order Information

L-KLS2-EDALV-3.50-XXP-4 09

RoHS

Terminal Block

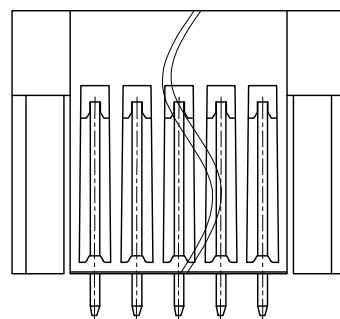
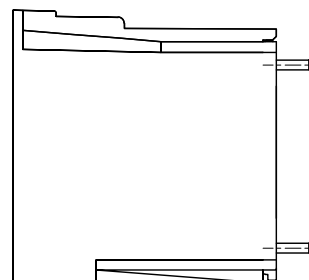
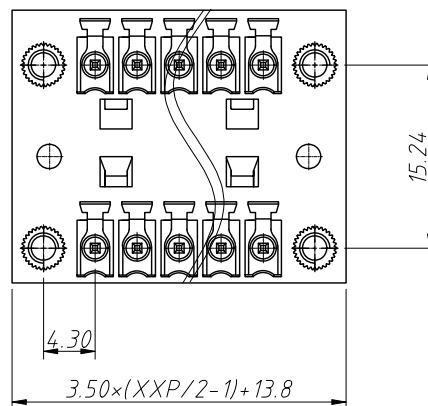
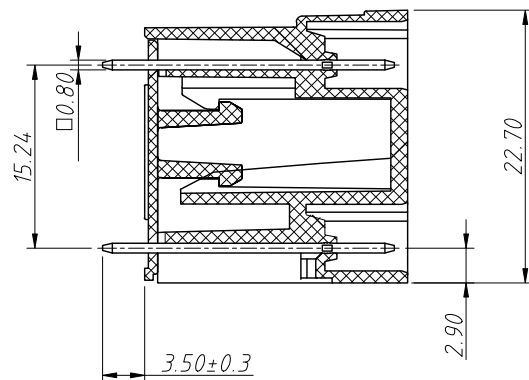
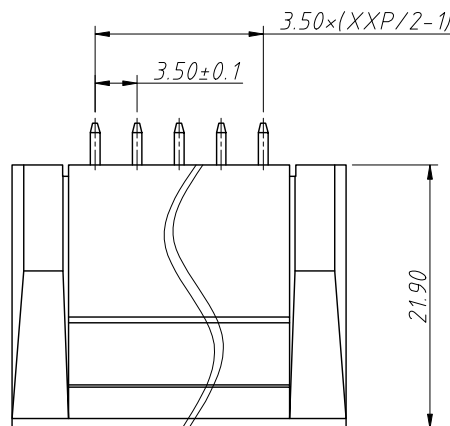
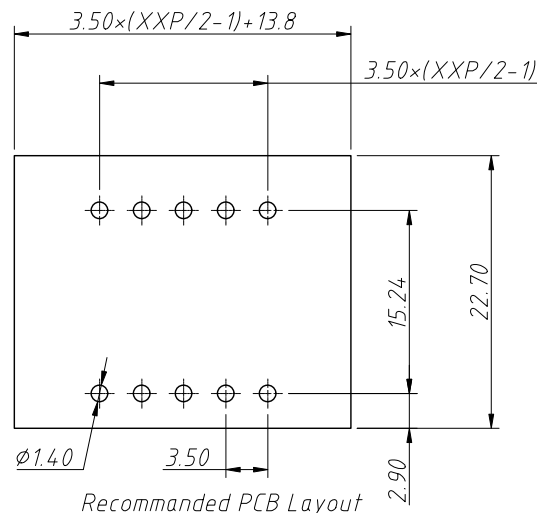
Pitch:3.50mm

No.:Of (04 ~ 48) Pin

Color:

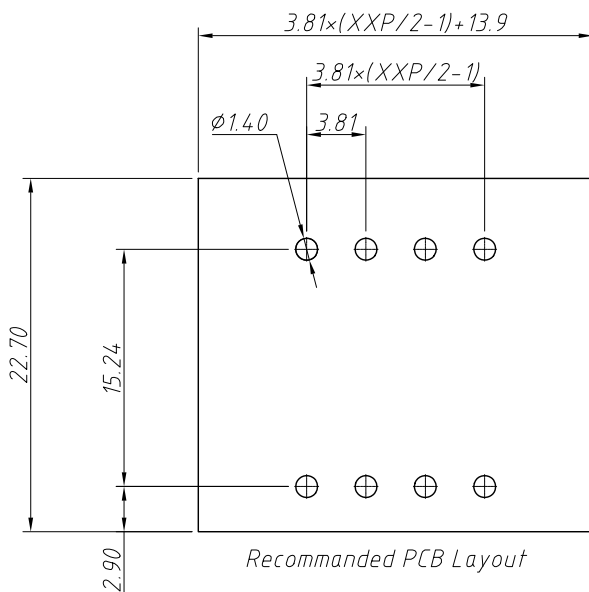
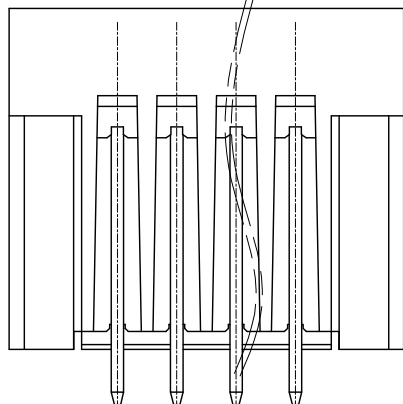
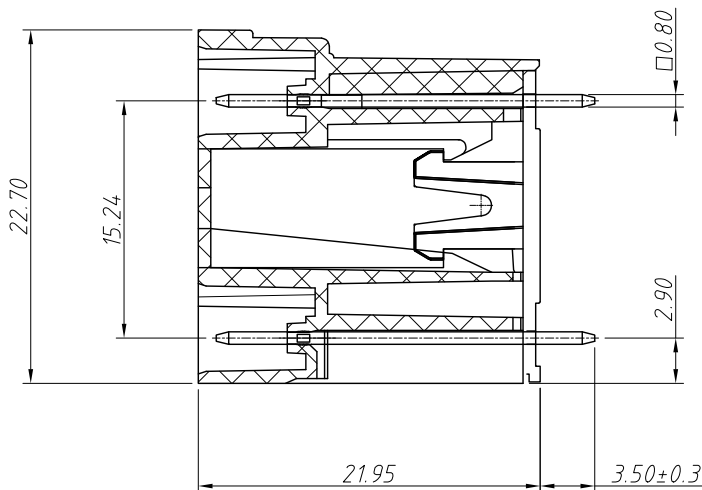
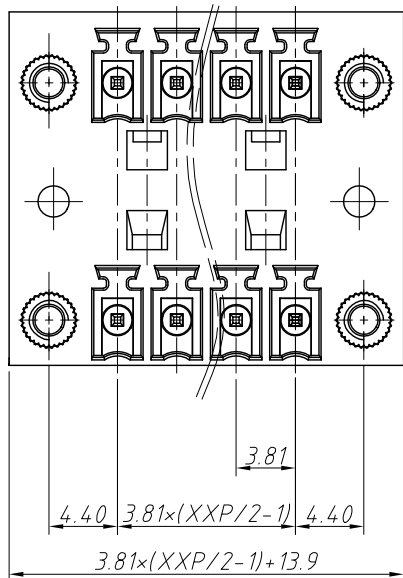
- 1=Gray      2=Blue      3=Black
- 4=Green    5=Orange    6=Red
- 7=Transp   8=Yellow    9=White

Product Code:00 ~ 99



ANGLE TOLERANCE	PROJECTION	Description:
±3°		Pitch 3.50mm Terminal Block
GENERAL TOLERANCE	UNITS	mm
0 ~ 30	±0.50	
30 ~ 60	±0.75	
60 ~ 90	±1.00	
SHEET SIZE	A4	
Draw:	WuHao	2024-10-28
Check:	Daniel	2024-10-28
		NingBo KLS ELECTRONIC CO.,L TD.

1 RoHS Compliance



Recommended PCB Layout

REV	SYM	Revision Record	Appr.	Date
V0	KLS02006	New Version Release	WuHao	2024-10-28

Electrical Characteristics	UL	IEC
Rated Voltage	300V	250V
Rated Current	8A	7A
Withstand Voltage	AC2000V/1 min	---

Material and other:

Housing: PA66, UL94V-0

Pin Header: Copper Alloy, Sn Plated

Contact Resistance: 20mΩ Max

Insulation Resistance: 500MΩ/DC500V Min

Temp. Range: -40°C ~ +105°C

Soldering: +250°C For 5 S Max

Order Information

L-KLS2-EDALV-3.81-XXP-4 09

RoHS

Terminal Block

Pitch: 3.81mm

No.: Of (04 ~ 48) Pin

Color:

1=Gray

2=Blue

3=Black

4=Green

5=Orange

6=Red

7=Transp

8=Yellow

9=White

Product Code: 00 ~ 99

ANGLE TOLERANCE	PROJECTION	Description:
$\pm 3^\circ$		Pitch 3.81mm Terminal Block
GENERAL TOLERANCE	UNITS	mm
0 ~ 30	$\pm 0.50$	
SHEET SIZE	A4	
Draw:	WuHao	2024-10-28
Check:	Daniel	2024-10-28



NingBo KLS ELECTRONIC CO.,LTD.