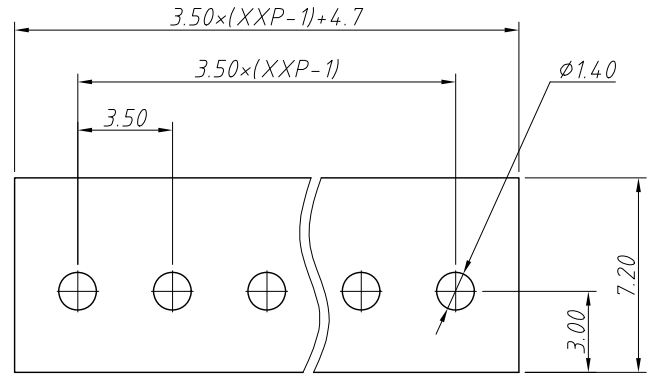
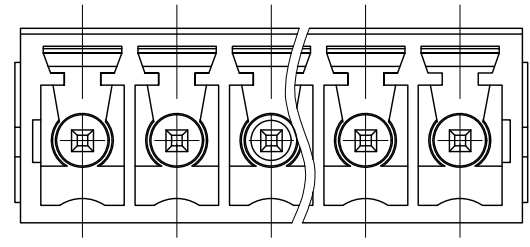


1
RoHS Compliance

2	3	4	5	6	7	8
REV	SYM	Revision Record		Appr.	Date	
V0	KLS02006	New Version Release		WuHao	2024-11-04	

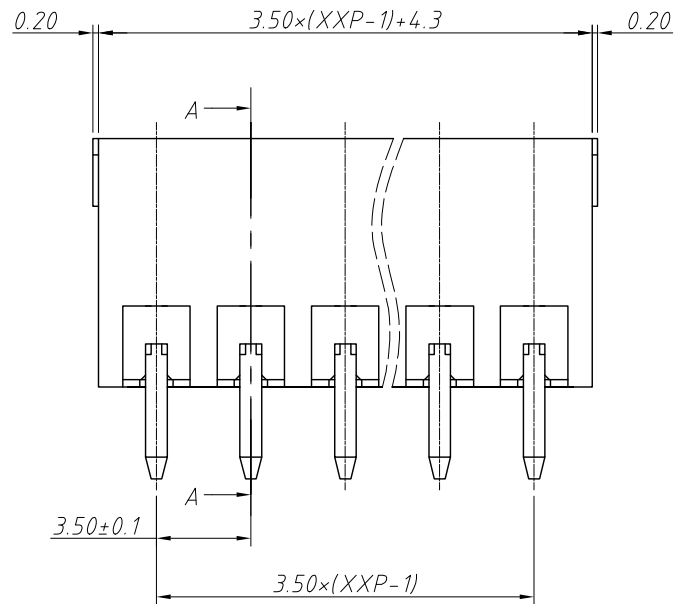
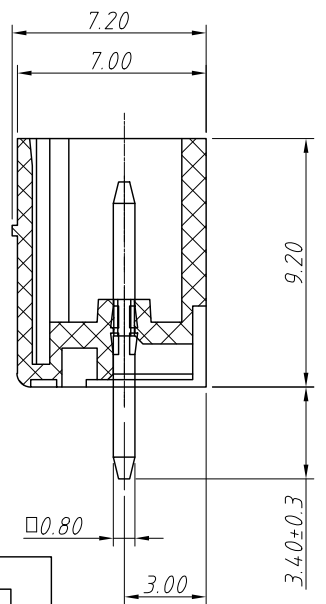


Recommended PCB Layout



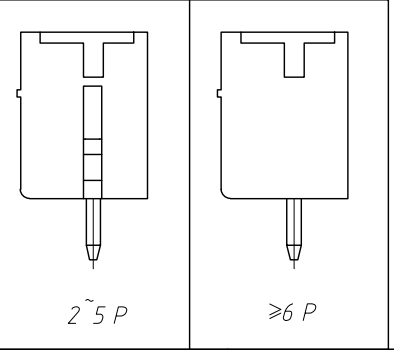
Electrical Characteristics	UL	IEC
Rated Voltage	300V	250V
Rated Current	8A	7A
Withstand Voltage	AC 2000V/1 min	---

Material and other:
 Housing:PA66, UL 94V-0
 Pin Header:Copper Alloy,Sn Plated
 Contact resistance:20mΩ MAX
 Insulation resistance:500MΩ/DC500V
 Temp. Range:-40°C ~ +105°C
 Soldering:+250°C For 5 Sec



Order Information
 L-KLS2-EDV-3.50-XXP-X
 RoHS
 Terminal Block
 Pitch:3.50mm
 No.:Of (02~24) Pin
 Color:
 1=Gray 2=Blue 3=Black
 4=Green 5=Orange 6=Red
 7=Transp 8=Yellow 9=White

SECTION A-A



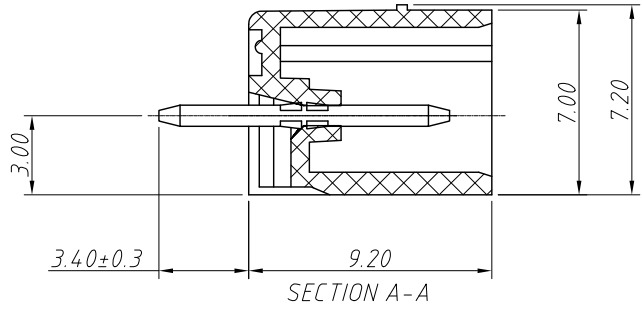
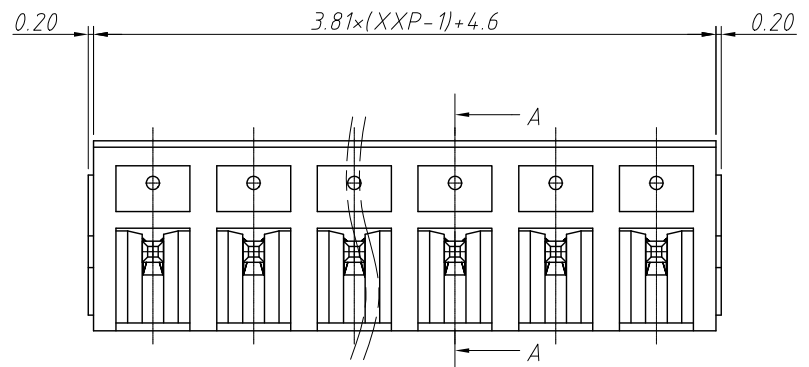
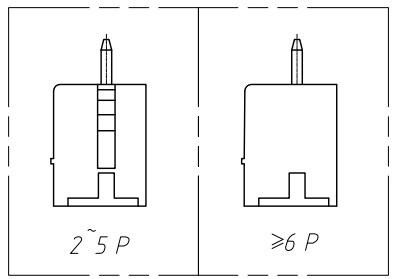
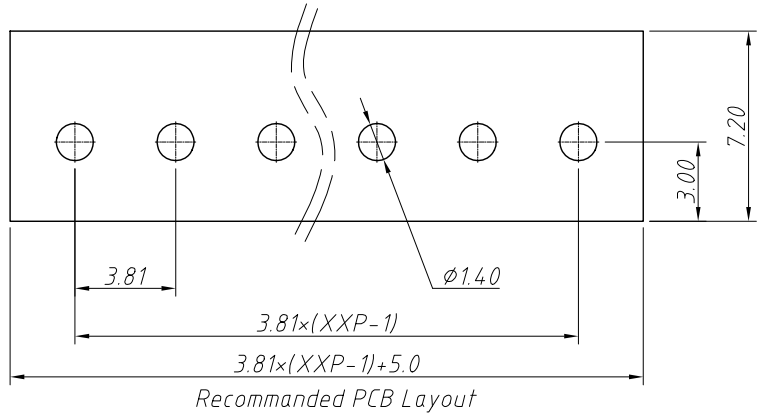
ANGLE TOLERANCE	PROJECTION	Description:				
±3°		Pitch 3.50mm Terminal Block				
GENERAL TOLERANCE	UNITS	mm	KLS P/N:			
0°~30° ±0.50	SHEET SIZE	A4	L-KLS2-EDV-3.50-XXP-X			
30°~60° ±0.75	Draw:	WuHao	2024-11-04			
60°~90° ±1.00	Check:	Daniel	2024-11-04	NingBo KLS ELECTRONIC CO.,L TD.		

1
RoHS Compliance

2	3	4	5	6	7	8
REV	SYM	Revision Record		Appr.	Date	
V0	KLS02006	New Version Release		WuHao	2024-11-04	

Electrical Characteristics	UL	IEC
Rated Voltage	300V	250V
Rated Current	8A	7A
Withstand Voltage	AC 2000V/1 min	---

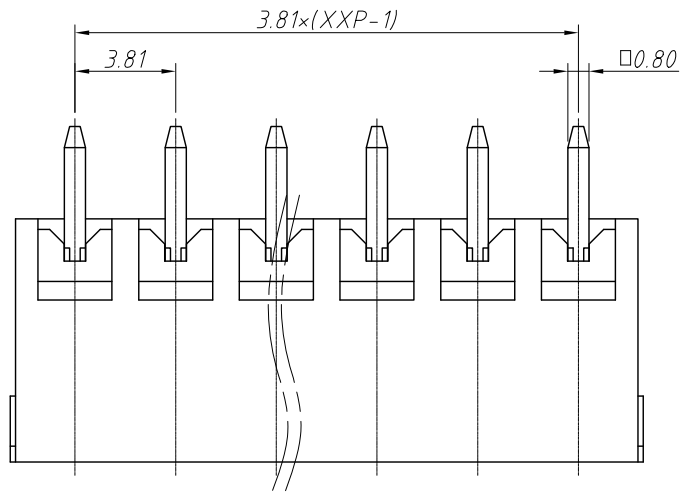
Material and other:
Housing: PA66, UL 94V-0
Pin Header: Copper Alloy, Sn Plated
Contact resistance: 20mΩ MAX
Insulation resistance: 500MΩ/DC500V
Temp. Range: -40°C ~ +105°C
Soldering: +250°C For 5 Sec



Order Information
L-KLS2-EDV-3.81-XXP-X

RoHS
Terminal Block
Pitch: 3.81mm
No.: Of (02~24) Pin
Color:

1=Gray 2=Blue 3=Black
4=Green 5=Orange 6=Red
7=Transp 8=Yellow 9=White



ANGLE TOLERANCE	PROJECTION	Description:	
$\pm 3^\circ$		Pitch 3.81mm Terminal Block	
GENERAL TOLERANCE	UNITS	mm	KLS P/N:
0~30 ±0.50	SHEET SIZE	A4	L-KLS2-EDV-3.81-XXP-X
30~60 ±0.75	Draw:	WuHao	2024-11-04
60~90 ±1.00	Check:	Daniel	2024-11-04

