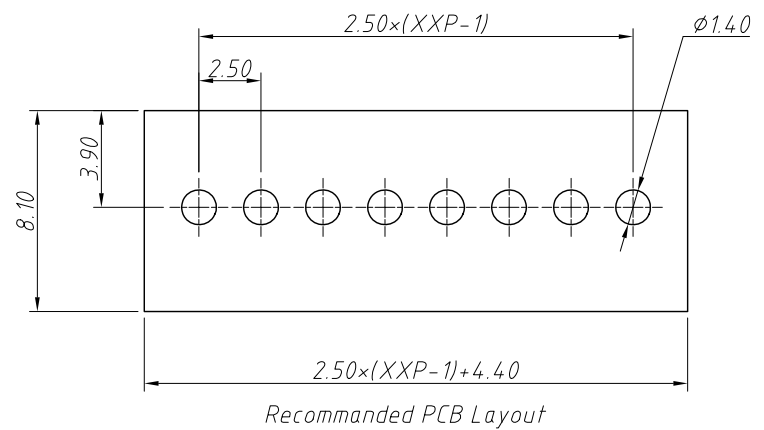


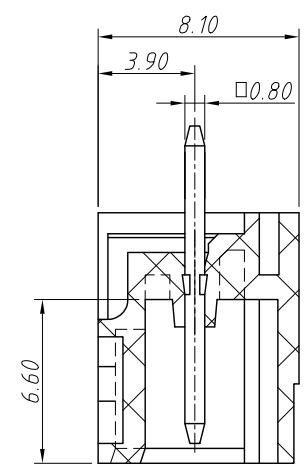
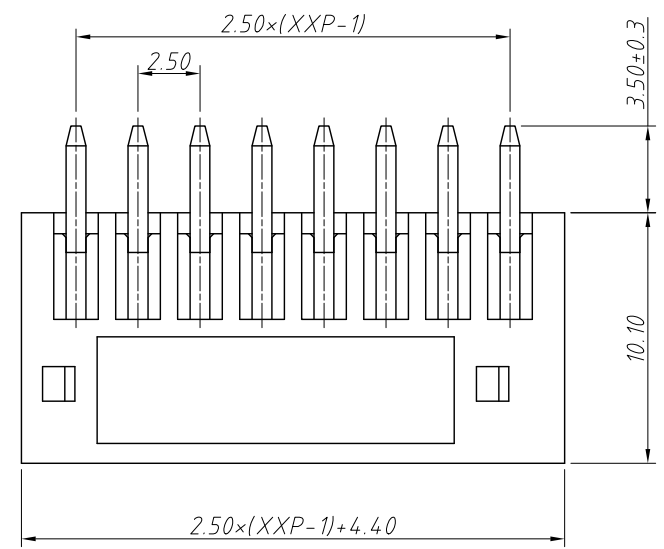
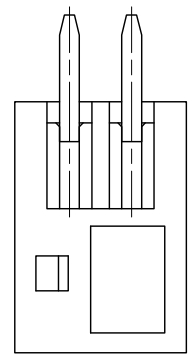
1
RoHS Compliance

7		8		
REV	SYM	Revision Record	Appr.	Date
V0	KLS02006	New Version Release	WuHao	2024-11-04

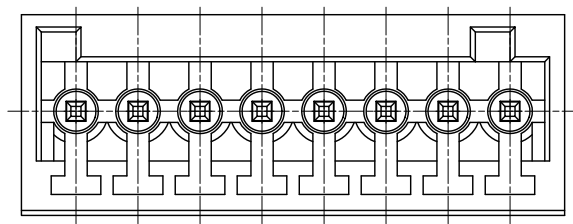
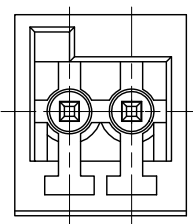


Electrical Characteristics	UL	IEC
Rated Voltage	150V	250V
Rated Current	5A	6A
Withstand Voltage	AC 1250V/1 min	---

Material and other:
Housing:PA66, UL94V-0
Pin Header:Copper Alloy,Sn Plated
Contact resistance:20m Ω MAX
Insulation resistance:500M Ω /DC500V
Temp. Range:-40 $^{\circ}$ C ~ +105 $^{\circ}$ C
Soldering:+250 $^{\circ}$ C For 5 Sec



Order Information
L-KLS2-EDV-2.50-XXP-X
RoHS
Terminal Block
Pitch:2.50mm
No.:Of (02~24) Pin
Color:
1=Gray 2=Blue 3=Black
4=Green 5=Orange 6=Red
7=Transp 8=Yellow 9=White



ANGLE TOLERANCE	PROJECTION	Description:	Pitch 2.50mm Terminal Block	
$\pm 3^{\circ}$				
GENERAL TOLERANCE	UNITS	mm	KLS P/N:	L-KLS2-EDV-2.50-XXP-X
0~30	± 0.50	SHEET SIZE	A4	
30~60	± 0.75	Draw:	WuHao	2024-11-04
60~90	± 1.00	Check:	Daniel	2024-11-04

