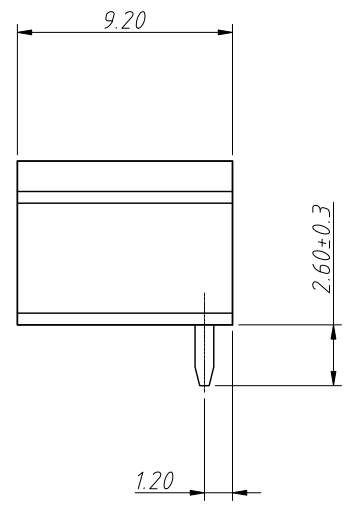
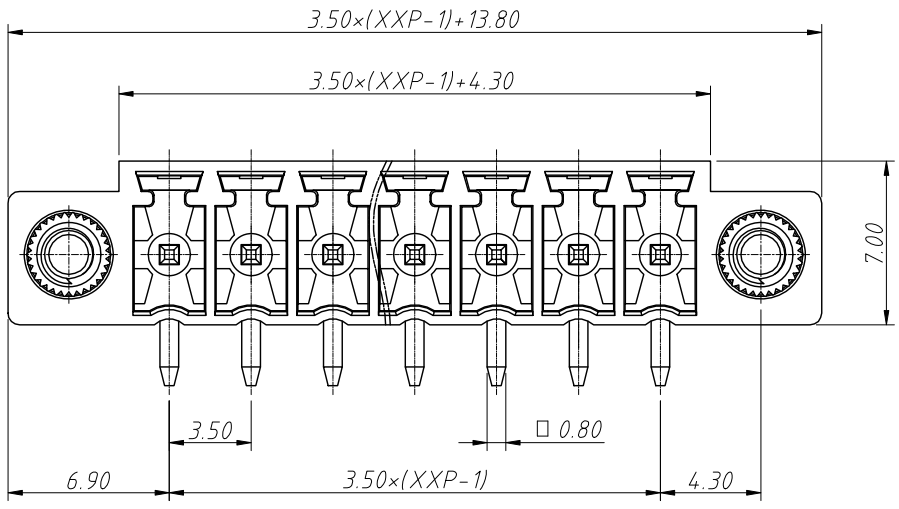


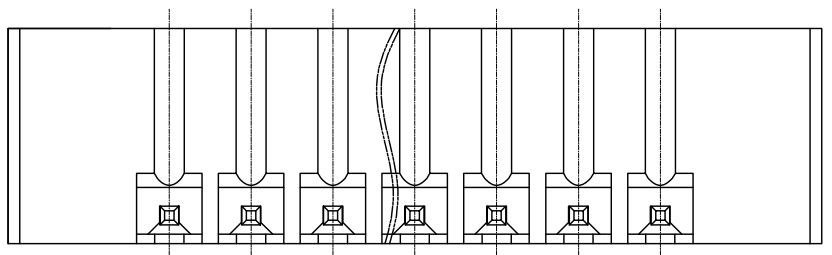
1
RoHS Compliance

REV	SYM	Revision Record	Appr.	Date
V0	KLS02006	New Version Release	Song	2024-09-20



Electrical Characteristics	UL	IEC
Rated Voltage	300V	160V
Rated Current	8A	8A
Withstand Voltage	1600V / 1min	2.5KV

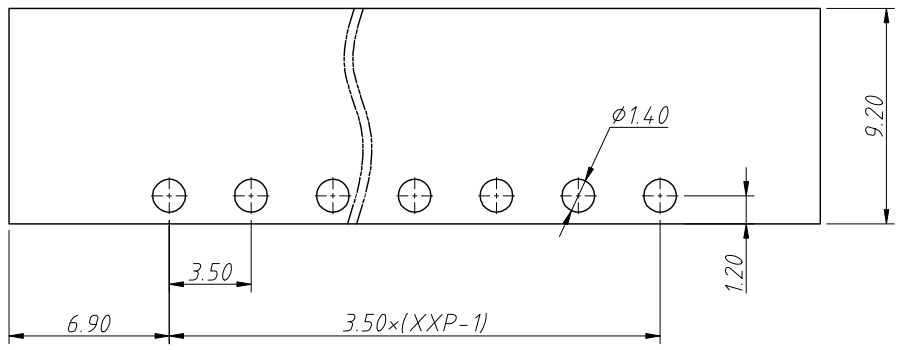
Material and other:
Housing:LCP, UL94V-0
Pin:Copper Alloy,Sn Plated
Operating Temperature:-40°C ~ +130°C
Soldering Temperature:285°C /10S



Order Information
L-KLS2-THREDRM-3.50-XXP-X

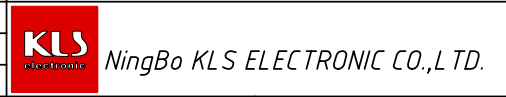
RoHS
Terminal Block
Pitch:3.50mm
No.:Of (02~24) Pins
Color:

1=Gray	2=Blue	3=Black
4=Green	5=Orange	6=Red
7=Transp	8=Yellow	9=White



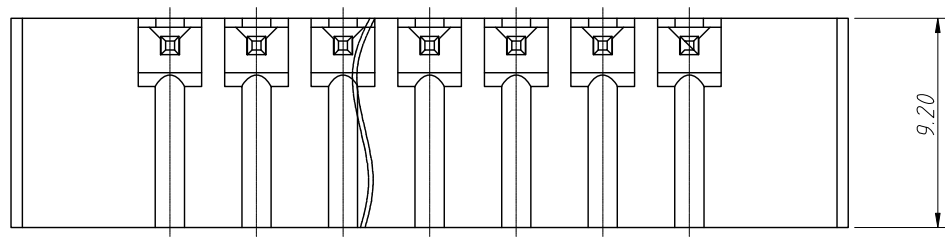
Recommended PCB Layout

ANGLE TOLERANCE	PROJECTION	Description:
±3°		Pitch 3.50mm Pluggable Terminal Block ,Socket
GENERAL TOLERANCE	UNITS	mm
0~30	±0.50	SHEET SIZE
30~60	±0.75	Draw:
60~90	±1.00	Check:
		KLS P/N:
		L-KLS2-THREDRM-3.50-XXP-X
		2024-09-20
		2024-09-20

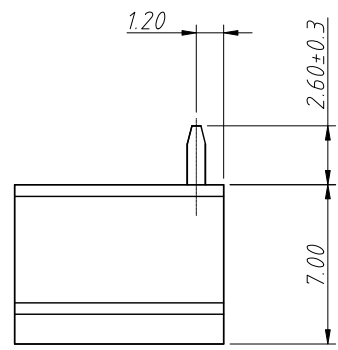
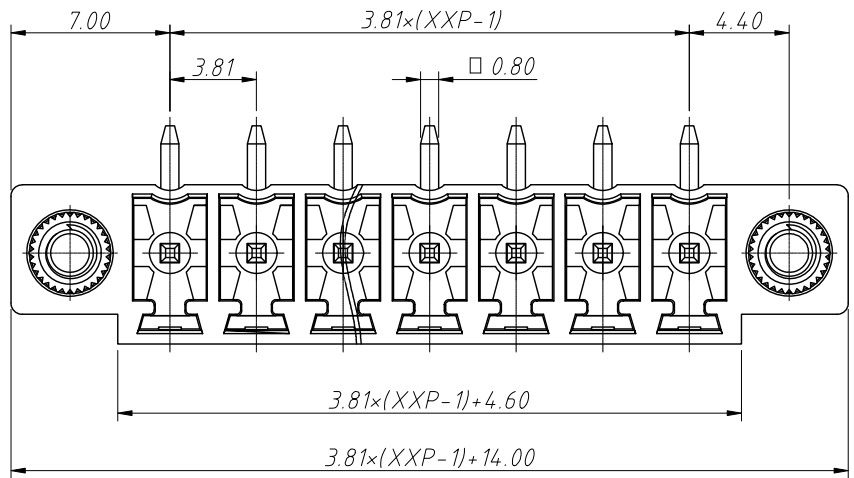


1 RoHS Compliance

6	7		8		
REV	SYM	Revision Record		Appr.	Date
V0	KLS02006	New Version Release		Song	2024-09-20



Electrical Characteristics	UL	IEC
Rated Voltage	300V	160V
Rated Current	8A	8A
Withstand Voltage	1600V / 1min	2.5KV

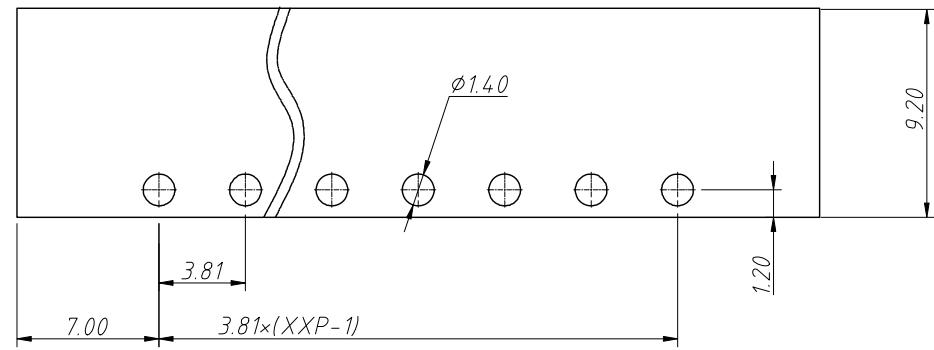


Material and other:
 Housing:LCP, UL94V-0
 Pin:Copper Alloy,Sn Plated
 Nut:Copper Alloy,M2.5
 Operating Temperature:-40°C ~ +130°C
 Soldering Temperature:285°C /10S

Order Information
 L-KLS2-THREDRM-3.81-XXP-X

RoHS
 Terminal Block
 Pitch:3.81mm
 No.:Of (02~24) Pins
 Color:

1=Gray 2=Blue 3=Black
 4=Green 5=Orange 6=Red
 7=Transp 8=Yellow 9=White



Recommended PCB Layout

ANGLE TOLERANCE	PROJECTION	Description:			
±3°		Pitch 3.81mm Pluggable Terminal Block ,Socket			
GENERAL TOLERANCE	UNITS	mm	KLS P/N:	L-KLS2-THREDRM-3.81-XXP-X	
0~30	±0.50	SHEET SIZE	A4		
30~60	±0.75	Draw:	Song	2024-09-20	
60~90	±1.00	Check:	Daniel	2024-09-20	

NingBo KLS ELECTRONIC CO.,L TD.