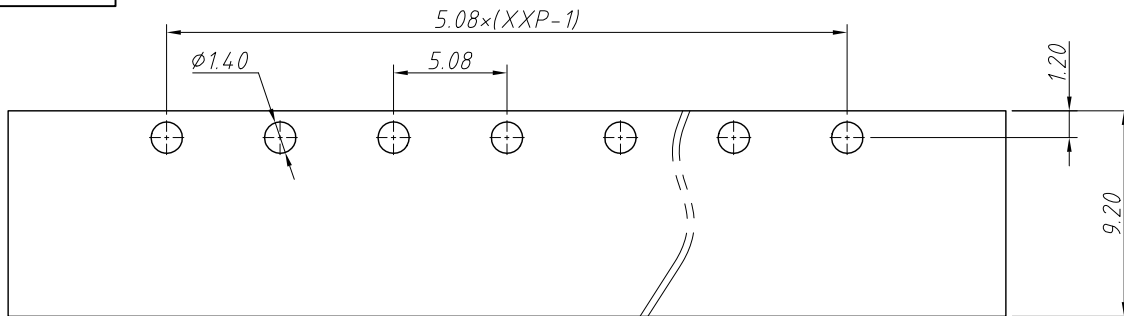


1 RoHS Compliance

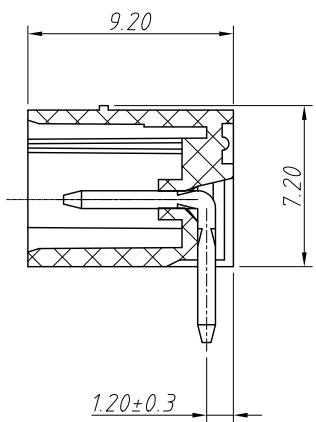
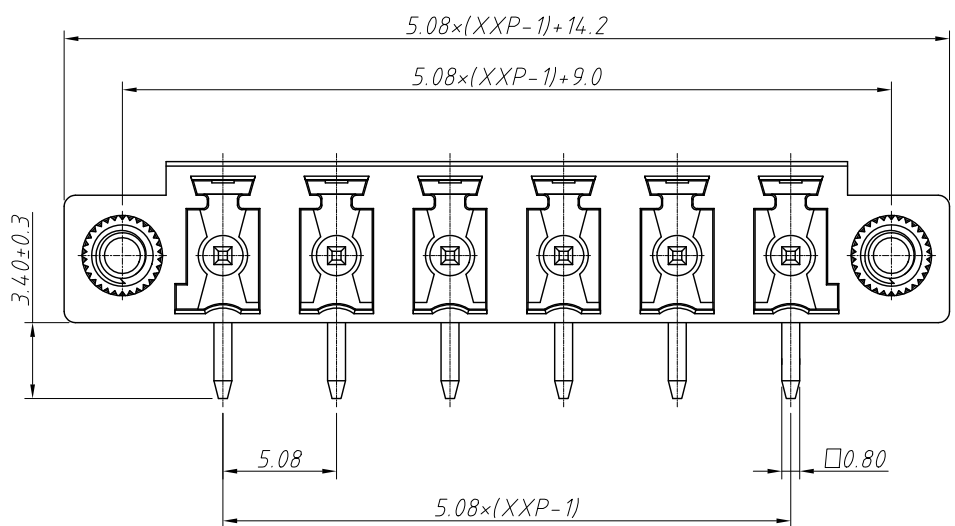
REV	SYM	Revision Record	Appr.	Date
V0	KLS02006	New Version Release	WuHao	2024-11-01



Electrical Characteristics	UL	IEC
Rated Voltage	300V	250V
Rated Current	8A	10A
Withstand Voltage	AC2000V/1 min	---

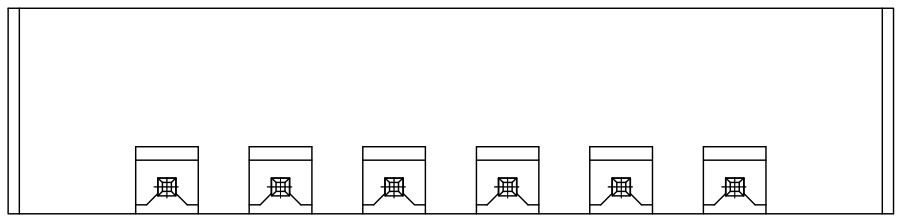
5.08*(XXP-1)+14.2
Recommended PCB Layout

Material and other:
 Housing: PA66, UL 94V-0
 Pin Header: Brass, Tin Plated
 Contact resistance: 20mΩ MAX
 Insulation resistance: 500MΩ/DC500V
 Temp. Range: -40°C ~ +105°C
 Soldering: +250°C, for 5 Sec



Order Information
 L-KLS2-EDKFRM-5.08-XXP-X

RoHS
 Terminal Block
 Pitch: 5.08mm
 No.: Of (02~24) Pin
 Color: 1=Gray 2=Blue 3=Black
 4=Green 5=Orange 6=Red
 7=Transp 8=Yellow 9=White



ANGLE TOLERANCE	PROJECTION	Description:	
±3°			Pitch 5.08mm Terminal Block
GENERAL TOLERANCE	UNITS	mm	KLS P/N:
0~30 ±0.50	SHEET SIZE	A4	L-KLS2-EDKFRM-5.08-XXP-X
30~60 ±0.75	Draw:	WuHao	2024-11-01
60~90 ±1.00	Check:	Daniel	2024-11-01

