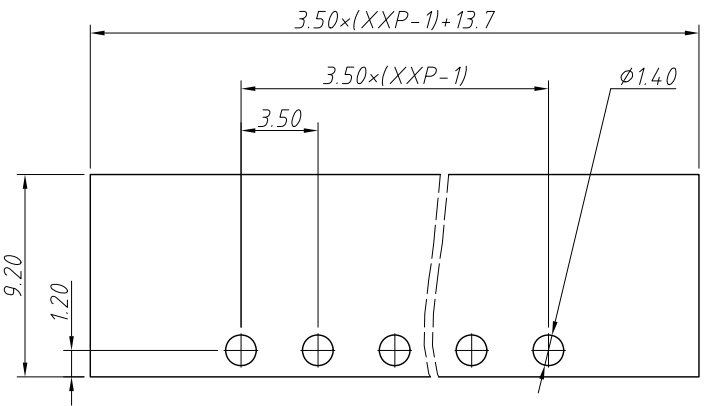
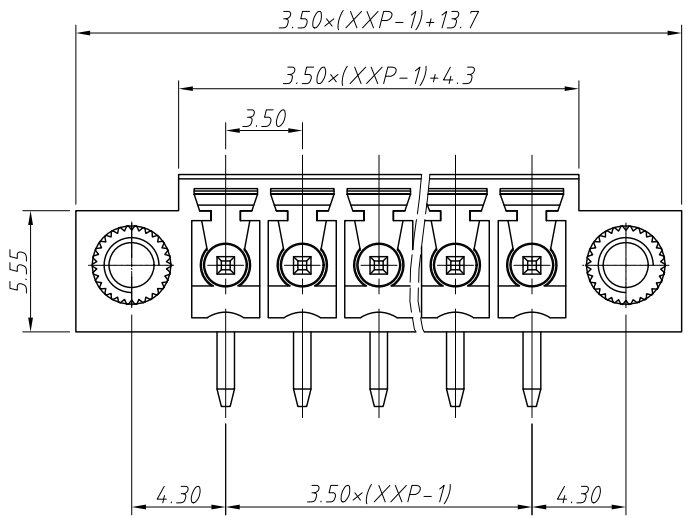


1
RoHS Compliance

7		8		
REV	SYM	Revision Record	Appr.	Date
V0	KLS02006	New Version Release	WuHao	2024-11-01

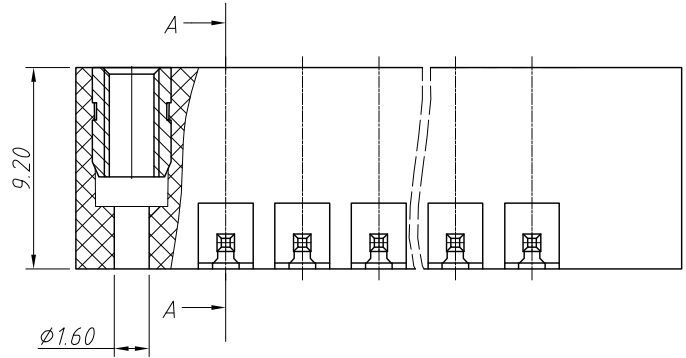
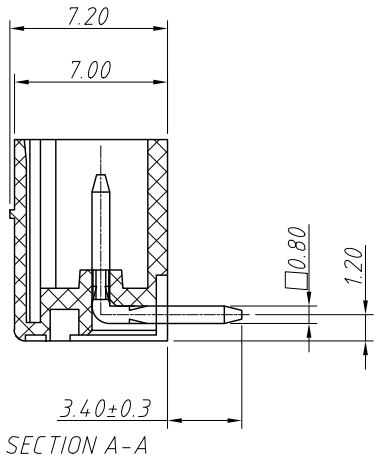


Recommended PCB Layout



Electrical Characteristics	UL	IEC
Rated Voltage	300V	250V
Rated Current	8A	7A
Withstand Voltage	AC 2000V/1 min	---

Material and other:
Housing: PA66, UL 94V-0
Pin Header: Copper Alloy, Sn Plated
Nut: Copper Alloy
Temp. Range: -40°C ~ +105°C
Soldering: +250°C For 5 Sec



Order Information
L-KLS2-EDLR-3.50-XXP-X

```

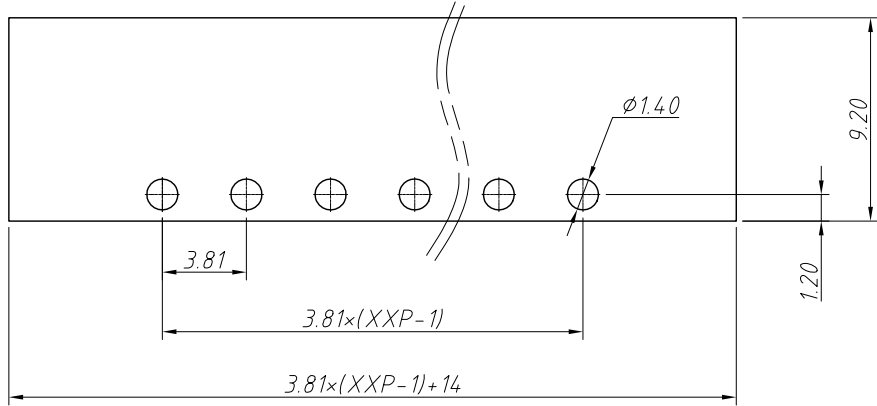
graph TD
    Root[L-KLS2-EDLR-3.50-XXP-X] --- RoHS[RoHS]
    Root --- TB[Terminal Block]
    Root --- Pitch[Pitch: 3.50mm]
    Root --- Pins[No.: Of (02~24) Pin]
    Root --- Color[Color]
    Color --- C1[1=Gray]
    Color --- C2[2=Blue]
    Color --- C3[3=Black]
    Color --- C4[4=Green]
    Color --- C5[5=Orange]
    Color --- C6[6=Red]
    Color --- C7[7=Transp]
    Color --- C8[8=Yellow]
    Color --- C9[9=White]
  
```

ANGLE TOLERANCE	PROJECTION	Description:
±3°		Pitch 3.50mm Terminal Block
GENERAL TOLERANCE	UNITS	mm
0~30	±0.50	
30~60	±0.75	
60~90	±1.00	
	SHEET SIZE	A4
	Draw:	WuHao 2024-11-01
	Check:	Daniel 2024-11-01
	KLS P/N:	L-KLS2-EDLR-3.50-XXP-X

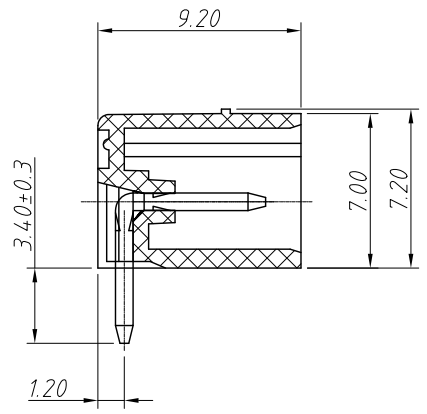
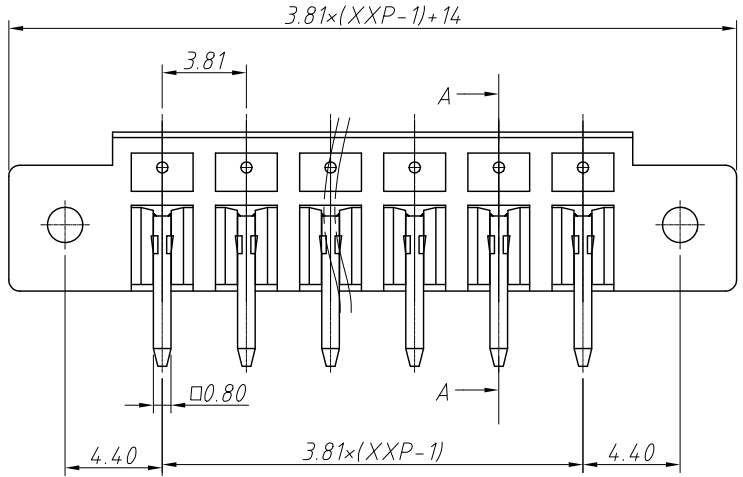


1
RoHS Compliance

6	7	8
REV	SYM	Revision Record
V0	KLS02006	New Version Release
		Appr.
		WuHao
		Date
		2024-11-01



Recommended PCB Layout



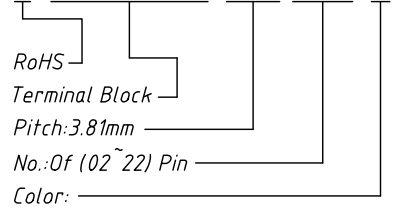
SECTION A-A

Electrical Characteristics	UL	IEC
Rated Voltage	300V	250V
Rated Current	8A	10A
Withstand Voltage	AC 2000V/1 min	---

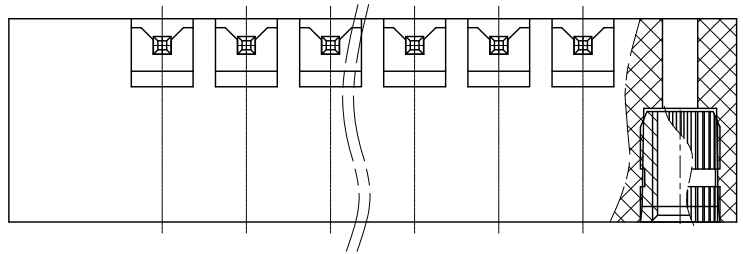
Material and other:
 Housing:PA66, UL 94V-0
 Pin Header:Brass, Tin Plated
 Temp. Range:-40°C ~ +105°C
 Soldering:+250°C For 5 Sec

Order Information

L-KLS2-EDLR-3.81-XXP-X



- Color:
- 1=Gray 2=Blue 3=Black
 - 4=Green 5=Orange 6=Red
 - 7=Transp 8=Yellow 9=White



ANGLE TOLERANCE	PROJECTION	Description:
±3°		Pitch 3.81mm Terminal Block
GENERAL TOLERANCE	UNITS	mm
0~30	±0.50	KLS P/N:
30~60	±0.75	L-KLS2-EDLR-3.81-XXP-X
60~90	±1.00	Draw: WuHao 2024-11-01
	Check: Daniel 2024-11-01	NingBo KLS ELECTRONIC CO.,L TD.