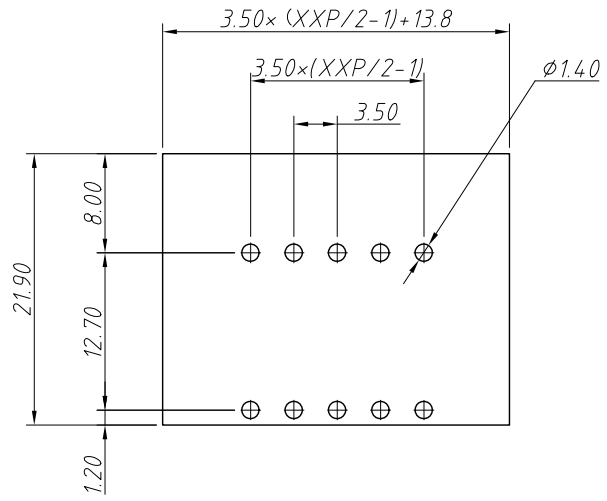
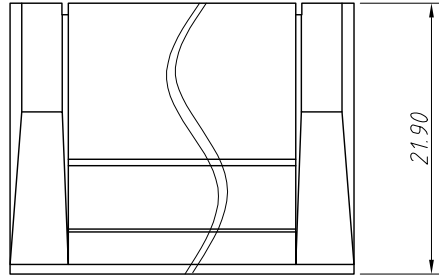


1
RoHS Compliance

| | | | | | |
|-----|----------|---------------------|--|-------|------------|
| 6 | | 7 | | 8 | |
| REV | SYM | Revision Record | | Appr. | Date |
| V0 | KLS02006 | New Version Release | | WuHao | 2024-10-28 |

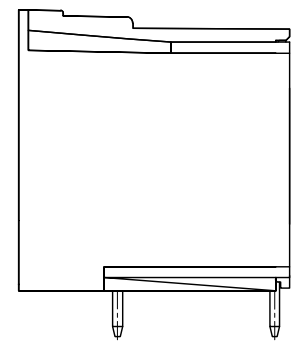
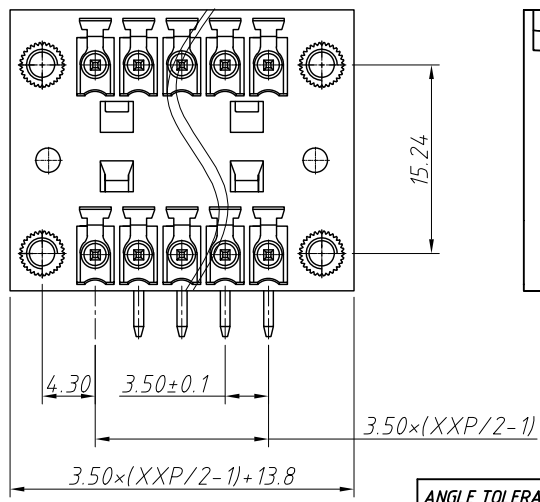
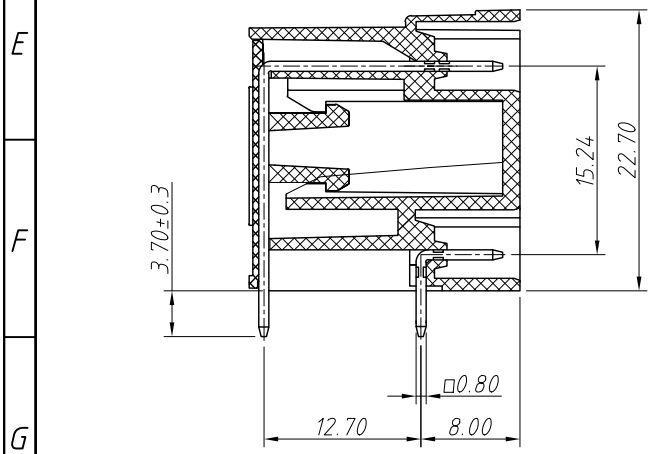


Recommended PCB Layout



| | | |
|----------------------------|---------------|------|
| Electrical Characteristics | UL | IEC |
| Rated Voltage | 300V | 250V |
| Rated Current | 8A | 7A |
| Withstand Voltage | AC2000V/1 min | --- |

Material and other:
 Housing:PA66, UL 94V-0
 Pin Header:Copper Alloy,Sn Plated
 Nut:Copper Alloy
 Contact Resistance:20mΩ Max
 Insulation Resistance:500MΩ/DC500V Min
 Temp. Range:-40°C ~ +105°C
 Soldering:+250°C For 5 Sec Max



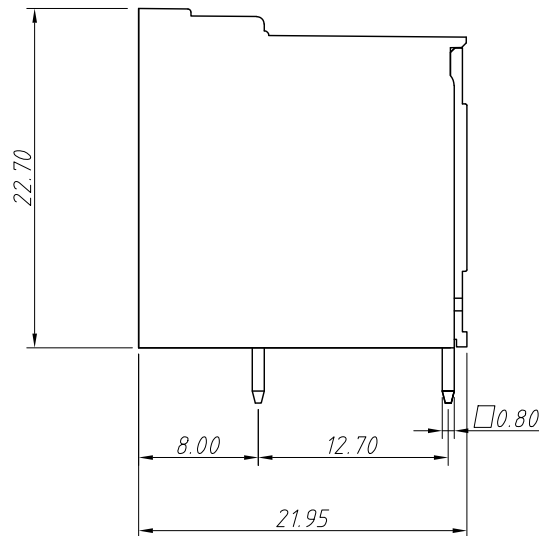
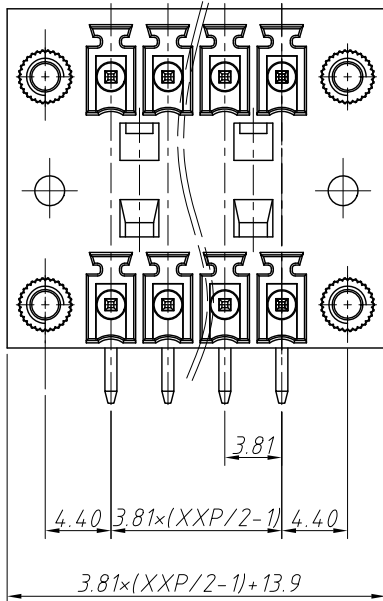
Order Information
L-KLS2-EDALR-3.50-XXP-X
 RoHS
 Terminal Block
 Pitch:3.50mm
 No.:Of (04~48) Pin
 Color:
 1=Gray 2=Blue 3=Black
 4=Green 5=Orange 6=Red
 7=Transp 8=Yellow 9=White

| | | | | | |
|-------------------|------------|-----------------------------|----------|------------|--|
| ANGLE TOLERANCE | PROJECTION | Description: | | | |
| ±3° | | Pitch 3.50mm Terminal Block | | | |
| GENERAL TOLERANCE | UNITS | mm | KLS P/N: | | |
| 0~30 | ±0.50 | SHEET SIZE | A4 | | |
| 30~60 | ±0.75 | Draw: | WuHao | 2024-10-28 | |
| 60~90 | ±1.00 | Check: | Daniel | 2024-10-28 | |



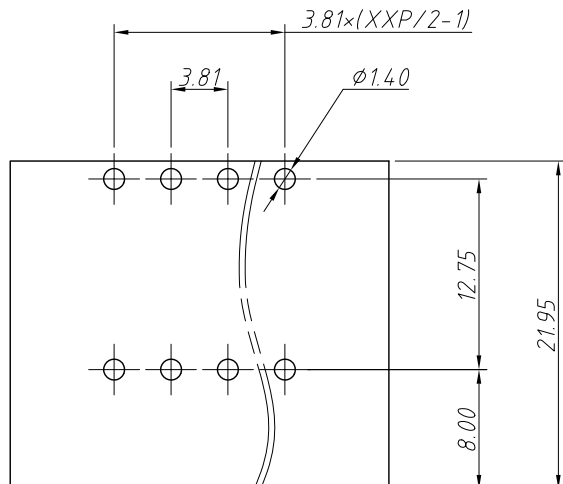
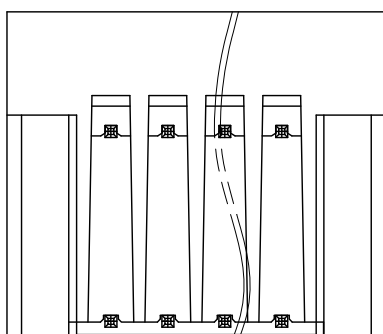
1 RoHS Compliance

| | | | | |
|-----|----------|---------------------|-------|------------|
| REV | SYM | Revision Record | Appr. | Date |
| V0 | KLS02006 | New Version Release | WuHao | 2024-10-28 |



| | | |
|----------------------------|------------|--------|
| Electrical Characteristics | UL | IEC |
| Rated Voltage | 300V | 160V |
| Rated Current | 8A | 7A |
| Withstand Voltage | 1600V/1min | 2.5 KV |

Material and other:
 Housing: PA66, UL 94V-0
 Pin Header: Copper Alloy, Sn Plated
 Operating temperature: $-40^{\circ}\text{C} \sim +105^{\circ}\text{C}$
 Soldering Temperature: $+250^{\circ}\text{C} / 5\text{S}$



Order Information
L-KLS2-EDALR-3.81-XXP-X

RoHS
 Terminal Block
 Pitch: 3.81mm
 No.: Of (04 ~ 48) Pin
 Color:

| | | |
|----------|----------|---------|
| 1=Gray | 2=Blue | 3=Black |
| 4=Green | 5=Orange | 6=Red |
| 7=Transp | 8=Yellow | 9=White |

Recommended PCB Layout

| | | |
|-------------------|------------|-----------------------------|
| ANGLE TOLERANCE | PROJECTION | Description: |
| $\pm 3^{\circ}$ | | Pitch 3.81mm Terminal Block |
| GENERAL TOLERANCE | UNITS | mm |
| 0 ~ 30 | ± 0.50 | KLS P/N: |
| 30 ~ 60 | ± 0.75 | SHEET SIZE |
| 60 ~ 90 | ± 1.00 | A4 |
| Draw: | WuHao | 2024-10-28 |
| Check: | Daniel | 2024-10-28 |

