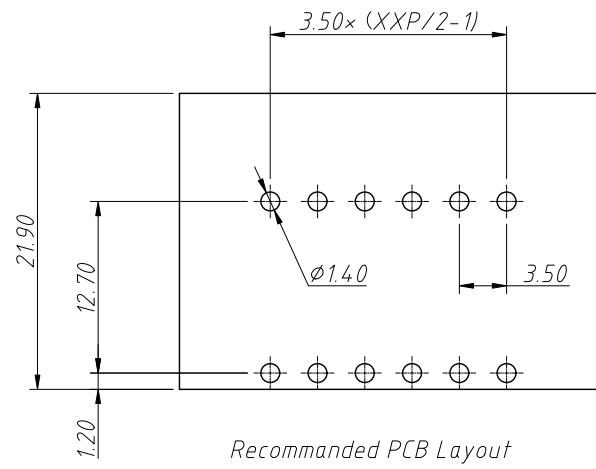
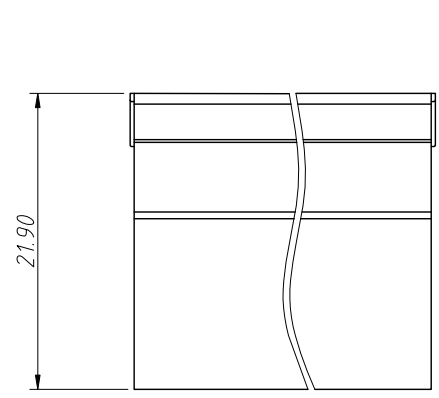


1
RoHS Compliance

REV	SYM	Revision Record	Appr.	Date
V0	KLS02006	New Version Release	WuHao	2024-10-28

B

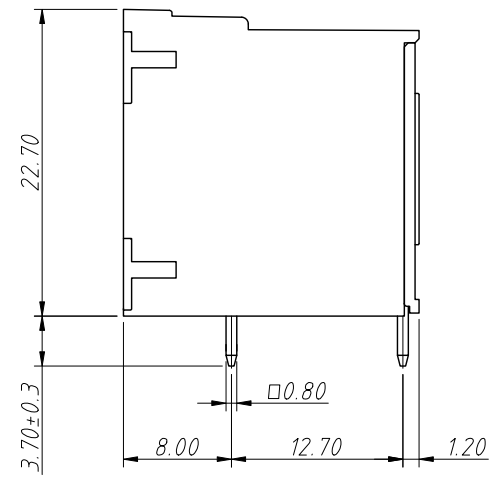
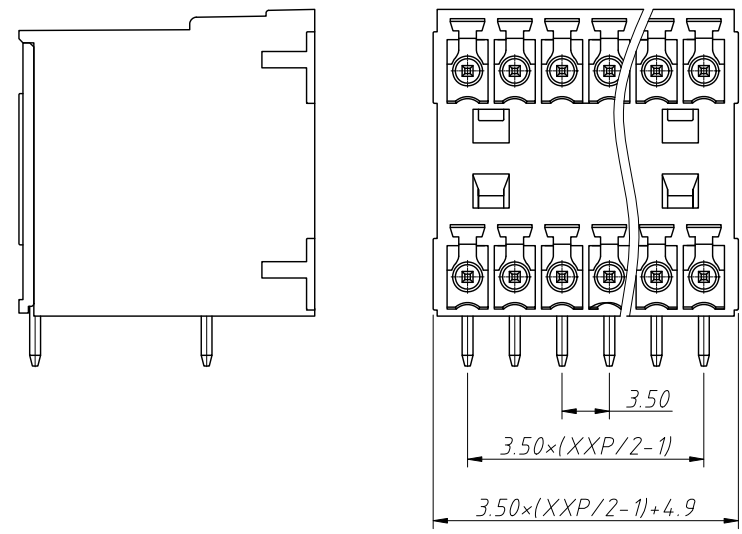


Electrical Characteristics	UL	IEC
Rated Voltage	300V	160V
Rated Current	8A	7A
Withstand Voltage	1600V/1 min	2.5 KV

Material and other:
 Housing:PA66, UL 94 V-0
 Cover:PA66, UL 94 V-0
 Short Pin: Copper Alloy, Sn Plated
 Long Pin: Copper Alloy, Sn Plated
 Operating temperature: -40°C ~ +105°C
 Soldering Temperature: +260°C For 5 Sec Max

D

E



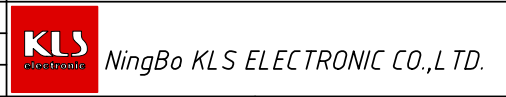
Order Information
L-KLS2-EDAR-3.50-XXP-X

RoHS
 Terminal Block
 Pitch: 3.50mm
 No.: Of (04 ~ 48) Pin
 Color:

1=Gray	2=Blue	3=Black
4=Green	5=Orange	6=Red
7=Transp	8=Yellow	9=White

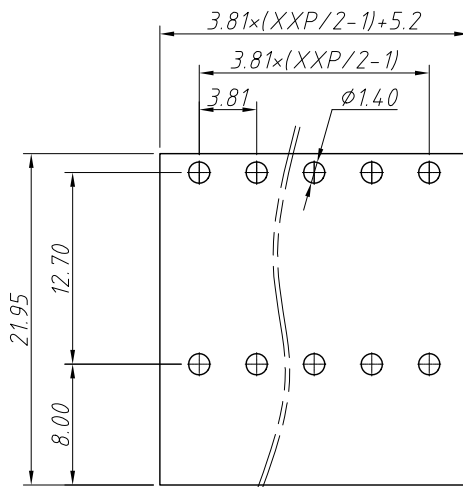
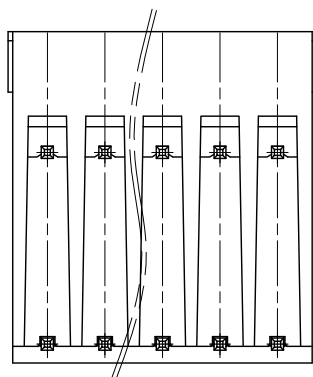
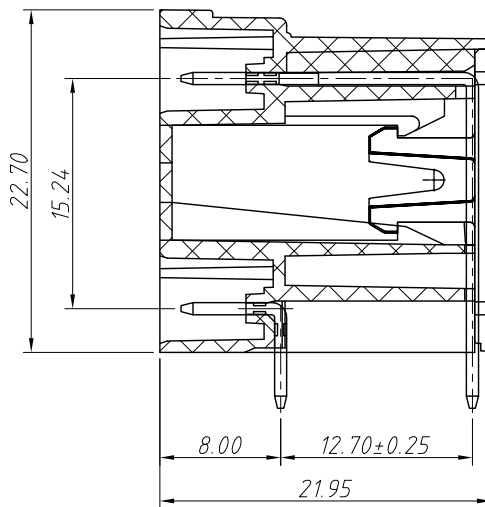
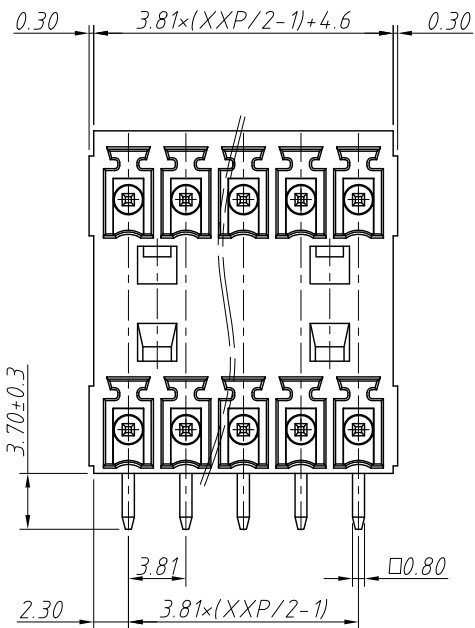
H

ANGLE TOLERANCE	PROJECTION	Description:
±3°		Pitch 3.50mm Terminal Block
GENERAL TOLERANCE	UNITS	mm
0 ~ 30	±0.50	SHEET SIZE
30 ~ 60	±0.75	Draw:
60 ~ 90	±1.00	Check:
		KLS P/N:
		L-KLS2-EDAR-3.50-XXP-X
		2024-10-28
		2024-10-28



1 RoHS Compliance

6	7	8
REV	SYM	Revision Record
V0	KLS02006	New Version Release
		Appr.
		WuHao
		Date
		2024-10-28



Recommended PCB Layout

Electrical Characteristics	UL	IEC
Rated Voltage	300V	250V
Rated Current	8A	7A
Withstand Voltage	AC2000V/1 min	---

Material and other:
 Housing:PA66, UL 94V-0
 Pin Header:Copper Alloy,Sn Plated
 Temp.Range:-40°C ~ +105°C
 Soldering:+250°C For 5 Sec Max

Order Information

L-KLS2-EDAR-3.81-XXP-X

RoHS
 Terminal Block
 Pitch:3.81mm
 No.:Of (04~48) Pin
 Color:
 1=Gray 2=Blue 3=Black
 4=Green 5=Orange 6=Red
 7=Transp 8=Yellow 9=White

ANGLE TOLERANCE	PROJECTION	Description:
±3°		Pitch 3.81mm Terminal Block
GENERAL TOLERANCE	UNITS	mm
0~30	±0.50	SHEET SIZE
30~60	±0.75	A4
60~90	±1.00	Draw: WuHao 2024-10-28
	Check: Daniel 2024-10-28	
		L-KLS2-EDAR-3.81-XXP-X
		NingBo KLS ELECTRONIC CO.,L TD.