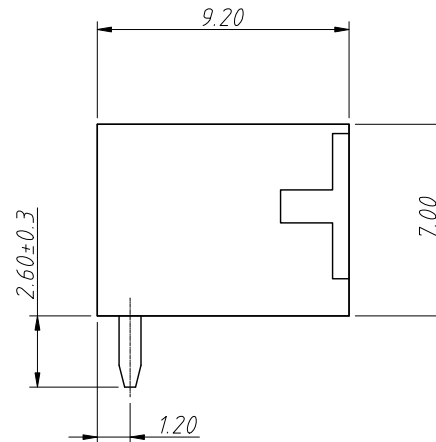
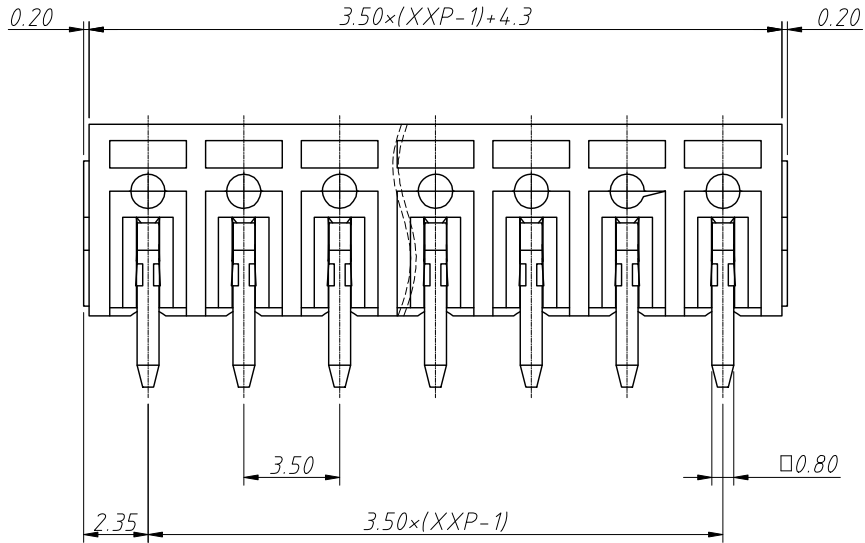


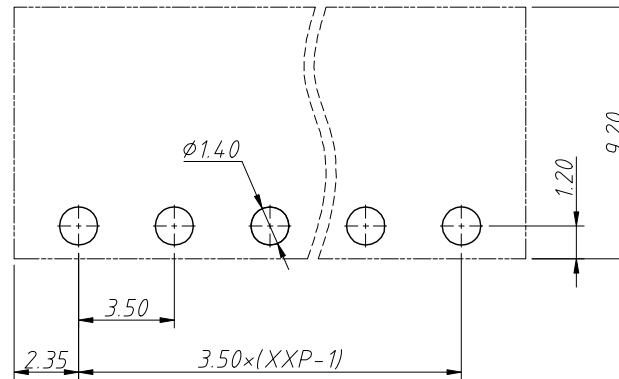
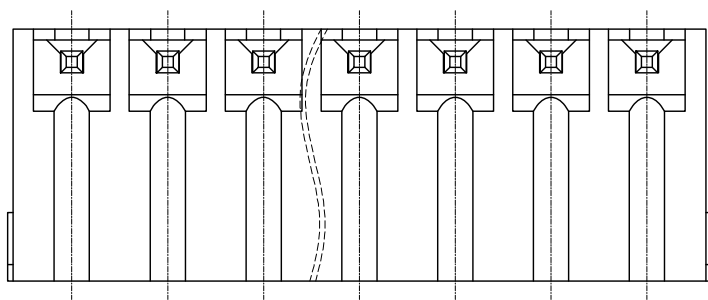
1 RoHS Compliance

REV	SYM	Revision Record	Appr.	Date
V0	KLS02006	New Version Release	WuHao	2024-10-8



Electrical Characteristics	UL	IEC
Rated Voltage	300V	160V
Rated Current	8A	8A
Withstand Voltage	1600V/1 min	2.5KV

Material and other:  
 Housing:LCP UL 94 V-0  
 Pin Header:Copper Alloy,Sn Plated  
 Operating Temperature:-40°C ~ +130°C  
 Soldering Temperature:285°C/10S



Recommended PCB Layout

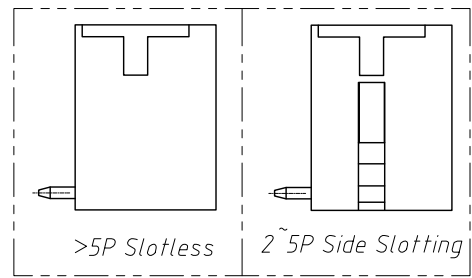
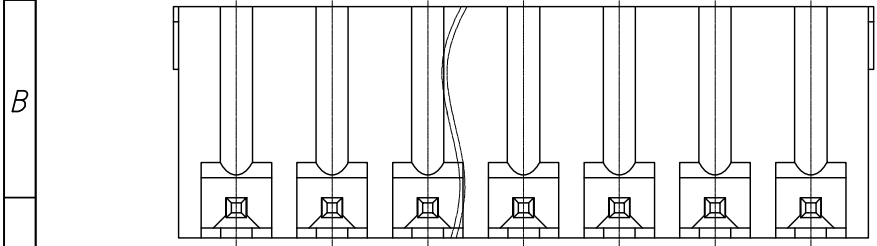
Order Information  
 L-KLS2-THREDR-3.50-XXP-X

RoHS  
 Terminal Block  
 Pitch:3.50mm  
 No.:Of (02~24) Pin  
 Color:  
 1=Gray    2=Blue    3=Black  
 4=Green    5=Orange    6=Red  
 7=Transp    8=Yellow    9=White

ANGLE TOLERANCE	PROJECTION	Description:
±3°		Pitch 3.50mm Pluggable Terminal Block,Socket
GENERAL TOLERANCE	UNITS	mm
0~30	±0.50	SHEET SIZE
30~60	±0.75	Draw:
60~90	±1.00	Check:
		KLS P/N:
		L-KLS2-THREDR-3.50-XXP-X
		NingBo KLS ELECTRONIC CO.,LTD.

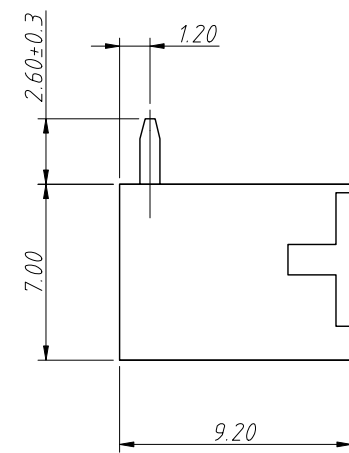
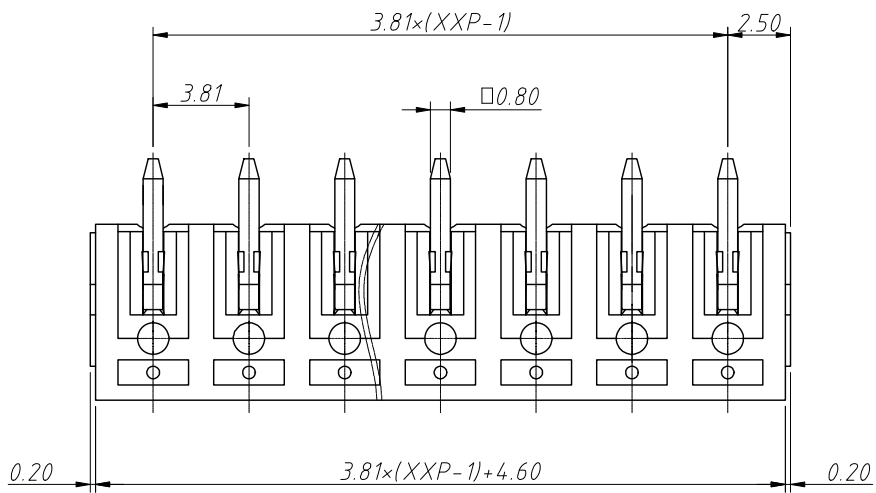
1  
RoHS Compliance

REV	SYM	Revision Record	Appr.	Date
V0	KLS02006	New Version Release	WuHao	2024-10-8

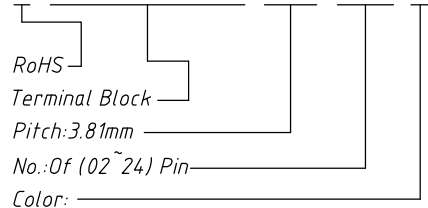


Electrical Characteristics	UL	IEC
Rated Voltage	300V	160V
Rated Current	8A	8A
Withstand Voltage	1600V/1 min	2.5KV

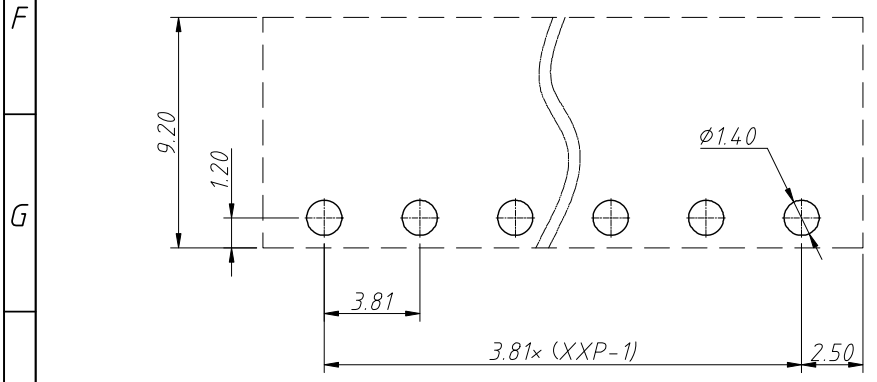
Material and other:  
 Housing:LCP UL94 V-0  
 Pin:Copper Alloy,Sn Plated  
 Operating Temperature:-40°C ~ +130°C  
 Soldering Temperature:285°C/10 S



Order Information  
 L-KLS2-THREDR-3.81-XXP-X



- Color:
- 1=Gray    2=Blue    3=Black
  - 4=Green    5=Orange    6=Red
  - 7=Transp    8=Yellow    9=White



Recommended PCB Layout

ANGLE TOLERANCE	PROJECTION	Description:
±3°		Pitch 3.81mm Pluggable Terminal Block,Socket
GENERAL TOLERANCE	UNITS	mm
0~30	±0.50	
30~60	±0.75	
60~90	±1.00	
SHEET SIZE	A4	
Draw:	Song	2024-10-8
Check:	Daniel	2024-10-8
KLS ELECTRONIC		NingBo KLS ELECTRONIC CO.,L.TD.