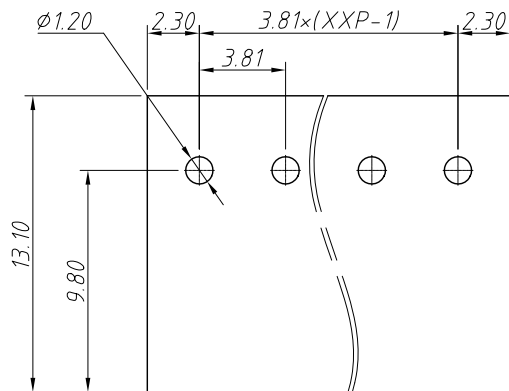
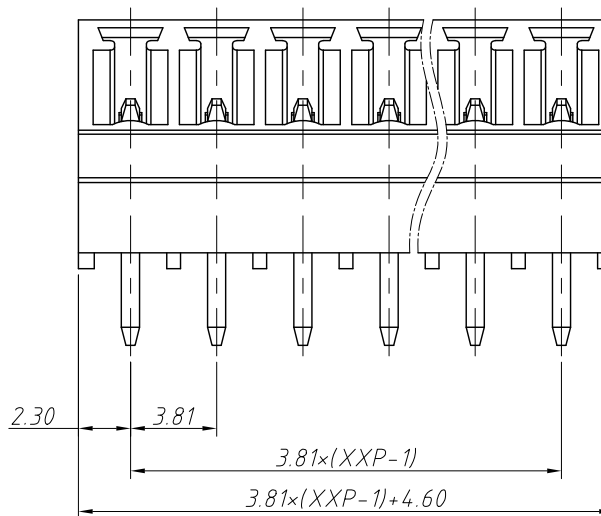
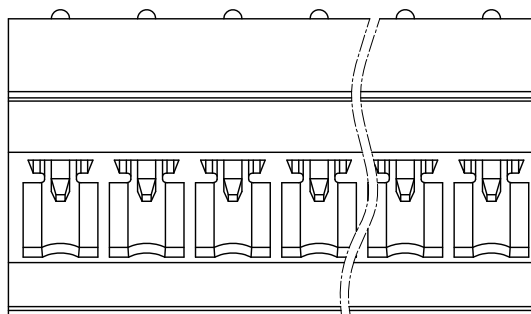
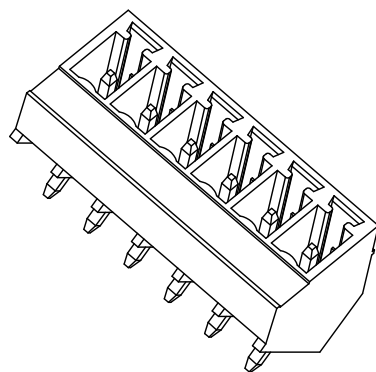
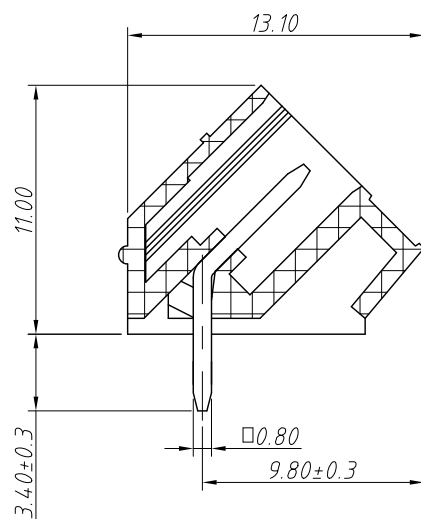


1
RoHS Compliance



Recommended PCB Layout



6		7		8	
REV	SYM	Revision Record		Appr.	Date
V0	KLS02006	New Version Release		WuHao	2024-11-06

Electrical Characteristics	UL	IEC
Rated Voltage	300V	250V
Rated Current	8A	7A
Withstand Voltage	AC 2000V/1 min	---

Material and other:

Housing:PA66, UL 94V-0

Pin Header:Copper Alloy,Sn Plated

Contact resistance:20mΩ MAX

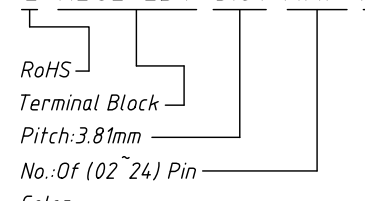
Insulation resistance:500MΩ/DC500V

Temp. Range:-40°C ~ +105°C

Soldering:+250°C For 5 Sec

Order Information

L-KLS2-EDY-3.81-XXP-X



Color:
 1=Gray 2=Blue 3=Black
 4=Green 5=Orange 6=Red
 7=Transp 8=Yellow 9=White

ANGLE TOLERANCE	PROJECTION	Description:			
±3°		Pitch 3.81mm Terminal Block			
GENERAL TOLERANCE	UNITS	mm	KLS P/N:		
0~30 ±0.50	SHEET SIZE	A4	L-KLS2-EDY-3.81-XXP-X		
30~60 ±0.75	Draw:	WuHao	2024-11-06		
60~90 ±1.00	Check:	Daniel	2024-11-06	NingBo KLS ELECTRONIC CO.,L TD.	