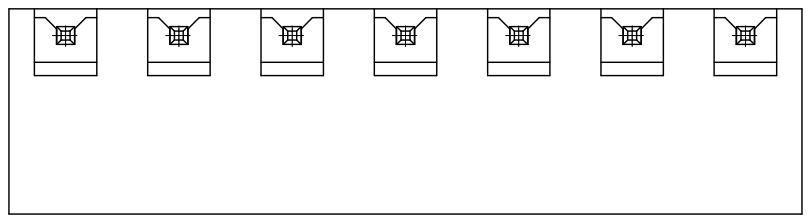


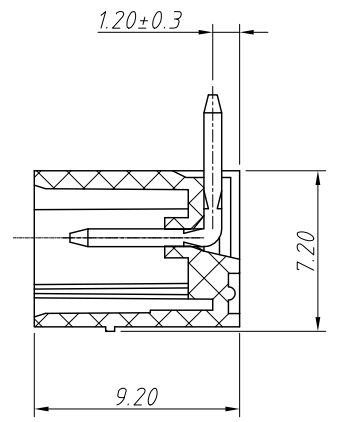
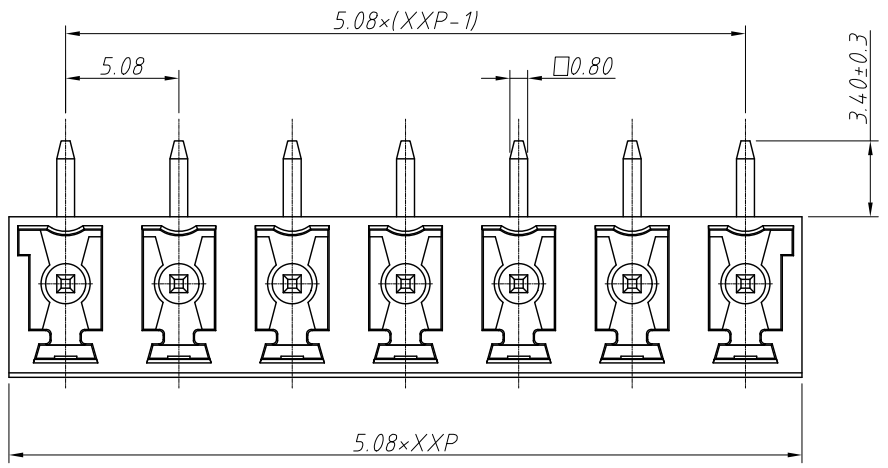
1
RoHS Compliance

6		7		8	
REV	SYM	Revision Record		Appr.	Date
V0	KLS02006	New Version Release		WuHao	2024-11-01



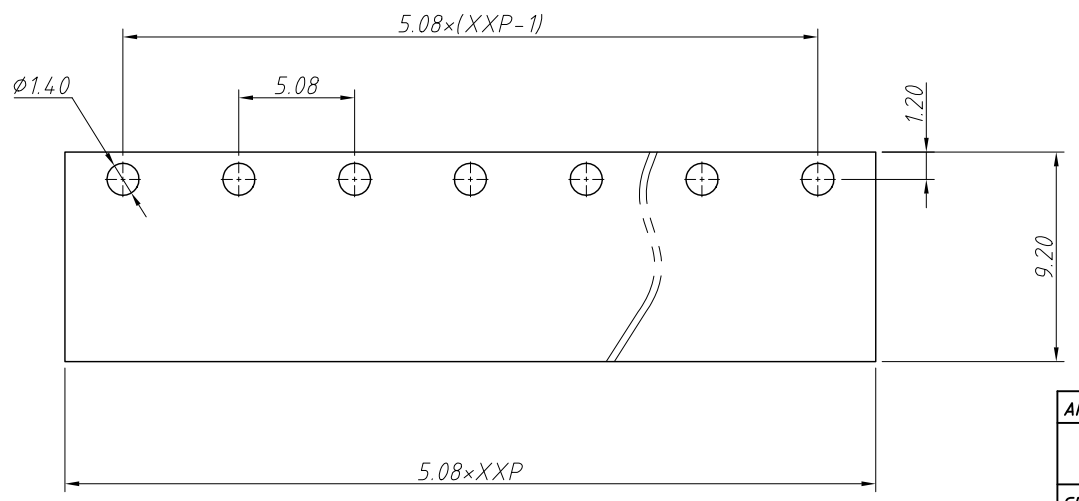
Electrical Characteristics	UL	IEC
Rated Voltage	300V	250V
Rated Current	8A	10A
Withstand Voltage	AC2000V/1 min	---

Material and other:
Housing:PA66, UL 94V-0
Pin Header:Brass, Tin Plated
Contact resistance:20mΩ MAX
Insulation resistance:500MΩ/DC500V
Temp.Range:-40°C ~ +105°C
Soldering:+250°C, for 5 Sec



Order Information

L-KLS2-EDKFR-5.08-XXP-X
RoHS
Terminal Block
Pitch:5.08mm
No.:Of (02~24) Pin
Color:1=Gray 2=Blue 3=Black
4=Green 5=Orange 6=Red
7=Transp 8=Yellow 9=White



Recommended PCB Layout

ANGLE TOLERANCE	PROJECTION	Description:			
±3°		Pitch 5.08mm Terminal Block			
GENERAL TOLERANCE	UNITS	mm	KLS P/N:		
0~30	±0.50	SHEET SIZE	A4	L-KLS2-EDKFR-5.08-XXP-X	
30~60	±0.75	Draw:	WuHao	2024-11-01	
60~90	±1.00	Check:	Daniel	2024-11-01	

NingBo KLS ELECTRONIC CO.,L TD.