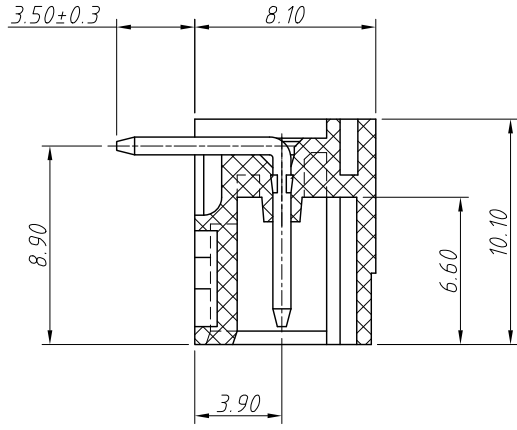


1
RoHS Compliance

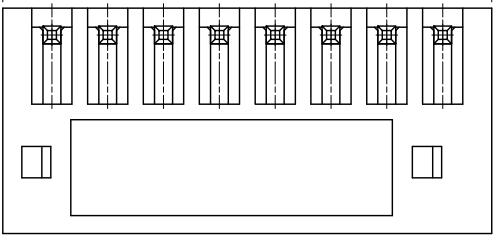
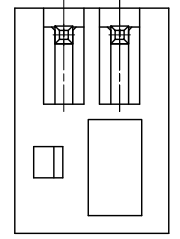
2.50×(XXP-1)+4.40



REV	SYM	Revision Record	Appr.	Date
V0	KLS02006	New Version Release	WuHao	2024-11-04

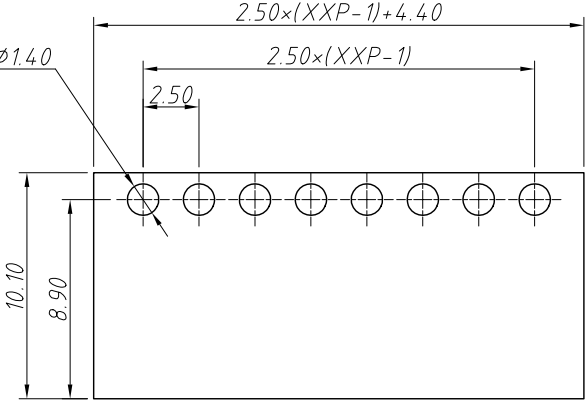
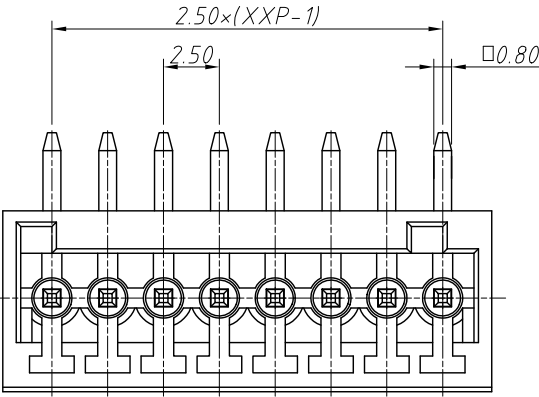
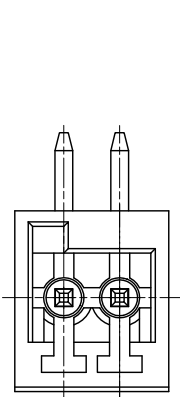
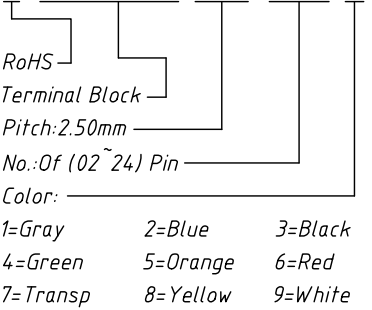
Electrical Characteristics	UL	IEC
Rated Voltage	150V	250V
Rated Current	5A	6A
Withstand Voltage	AC 1250V/1 min	---

Material and other:
 Housing:PA66, UL 94V-0
 Pin Header:Copper Alloy,Sn Plated
 Contact resistance:20mΩ MAX
 Insulation resistance:500MΩ/DC500V
 Temp. Range:-40°C ~ +105°C
 Soldering:+250°C For 5 Sec



Order Information

L-KLS2-EDR-2.50-XXP-X



Recommended PCB Layout

2P View

ANGLE TOLERANCE	PROJECTION	Description:	Pitch 2.50mm Terminal Block	
±3°				
GENERAL TOLERANCE	UNITS	mm	KLS P/N:	L-KLS2-EDR-2.50-XXP-X
0~30	±0.50	SHEET SIZE	A4	
30~60	±0.75	Draw:	WuHao	2024-11-04
60~90	±1.00	Check:	Daniel	2024-11-04

