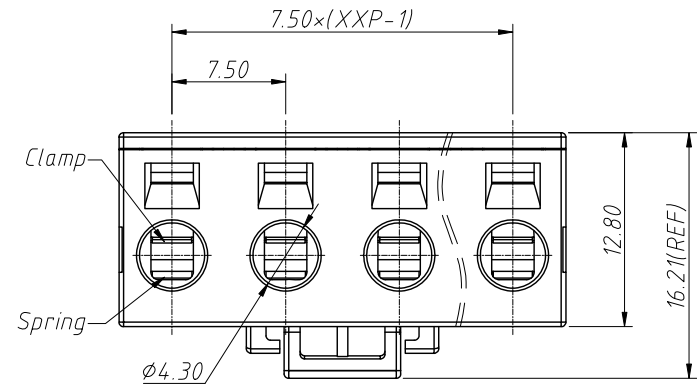


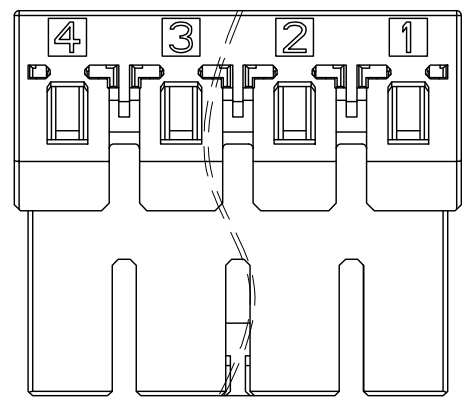
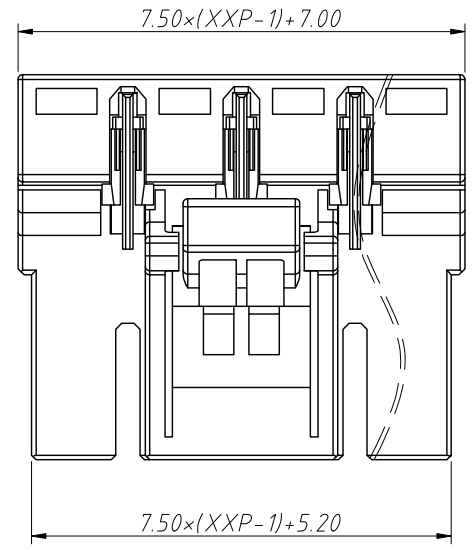
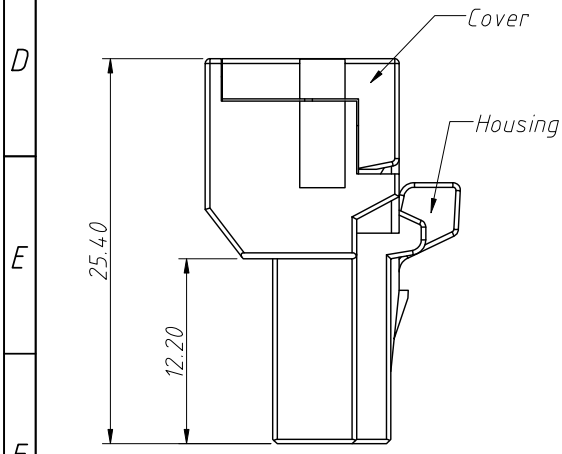
1
RoHS Compliance

6		7		8	
REV	SYM	Revision Record		Appr.	Date
V0	KLS02006	New Version Release		Jenny	2024-08-15

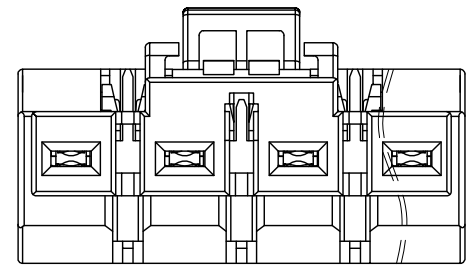


Electrical Characteristics	UL	IEC
Rated Voltage	300V	500V
Rated Current	16A	20A
Withstand Voltage	1600V / 1min	6.0KV
Wire Range	12 ~ 28 AWG	0.2 ~ 2.5mm ²

Material and other:
 Housing: PA66, UL 94 V-0
 Cover: PA66, UL 94 V-0
 Spring: Stainless steel
 Clamp: Copper alloy, Au Plated Area
 Stripping Length: 7-8mm
 Operating temperature: -40°C ~ +105°C



Order Information
 L-KLS2-9KS-7.50-XXP-X
 RoHS
 Terminal Block
 Pitch: 7.50mm
 No.: Of (02 ~ 09, 11) Pin
 Color:
 1=Gray 2=Blue 3=Black
 4=Green 5=Orange 6=Red
 7=Transp 8=Yellow 9=White



ANGLE TOLERANCE	PROJECTION	Description:			
$\pm 3^\circ$		Pitch 7.50mm Pluggable Terminal Block, Plug			
GENERAL TOLERANCE	UNITS	mm	KLS P/N:	L-KLS2-9KS-7.50-XXP-X	
0 ~ 30	± 0.50	SHEET SIZE	A4		
30 ~ 60	± 0.75	Draw:	Jenny	2024-08-15	
60 ~ 90	± 1.00	Check:	Daniel	2024-08-15	

NingBo KLS ELECTRONIC CO., L TD.