

RoHS Compliance

REV	SYM	Revision Record	Appr.	Date
V0	KLS02006	New Version Release	Jenny	2024-08-15

Electrical Characteristics	UL	IEC
Rated Voltage	300V	160V
Rated Current	16A	20A
Withstand Voltage	1600V / 1min	4.0KV
Wire Range	12~28 AWG	0.2~2.5mm ²

Material and other:

Housing:PA66, UL94V-0

Contactor:Copper alloy,Au Plated Area
Stripping Length:7-8mm

Operating temperature:-40°C ~ +105°C

Order Information

L-KLS2-9KS-5.00-XXP-X

RoHS

Terminal Block

Pitch:5.00mm

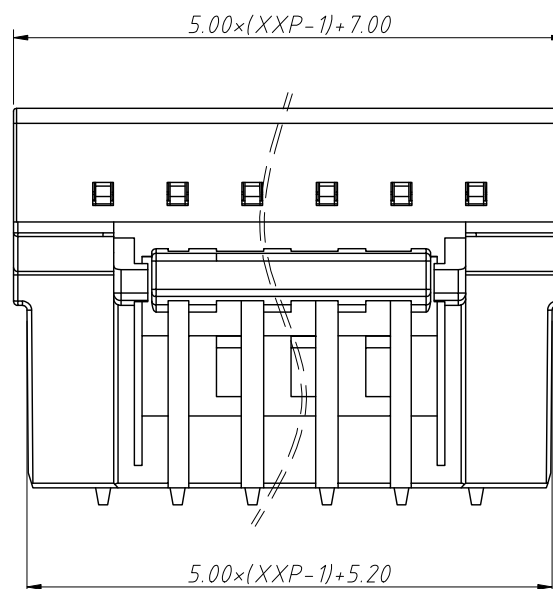
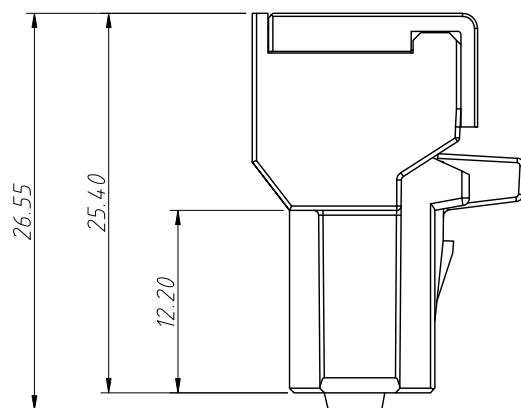
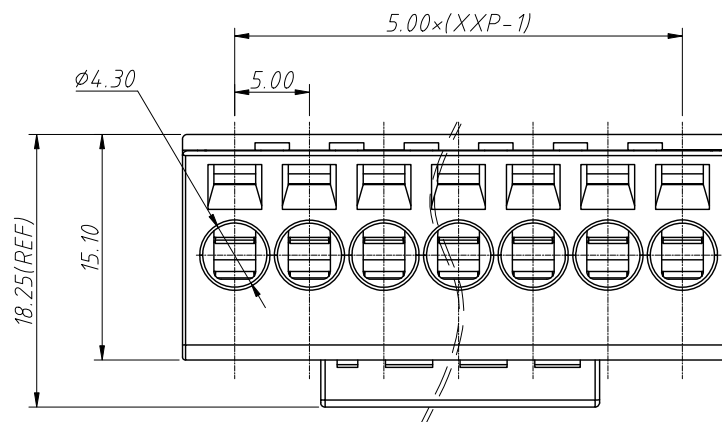
No.:Of (07, 09, 11, 13) Pin

Color:

1=Gray 2=Blue 3=Black

4=Green 5=Orange 6=Red

7=Transp 8=Yellow 9=White



ANGLE TOLERANCE	PROJECTION	Description:
±3°		Pitch 5.00mm Pluggable Terminal Block ,Plug
GENERAL TOLERANCE	UNITS	mm
0~30	±0.50	SHEET SIZE
30~60	±0.75	Draw:
60~90	±1.00	Check:
		KLS P/N:
		L-KLS2-9KS-5.00-XXP-X
		NingBo KLS ELECTRONIC CO.,L TD.