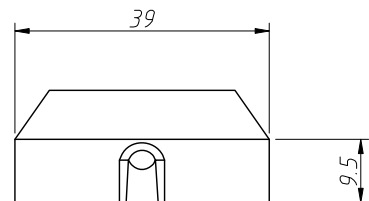


1 RoHS Compliance

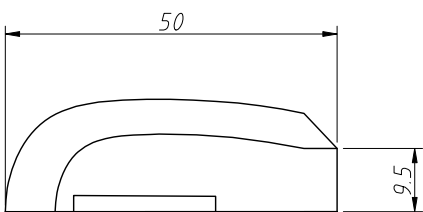
REV	SYM	Revision Record	Appr.	Date
V0	KLS17048	New Version Release	Song	2024-11-28



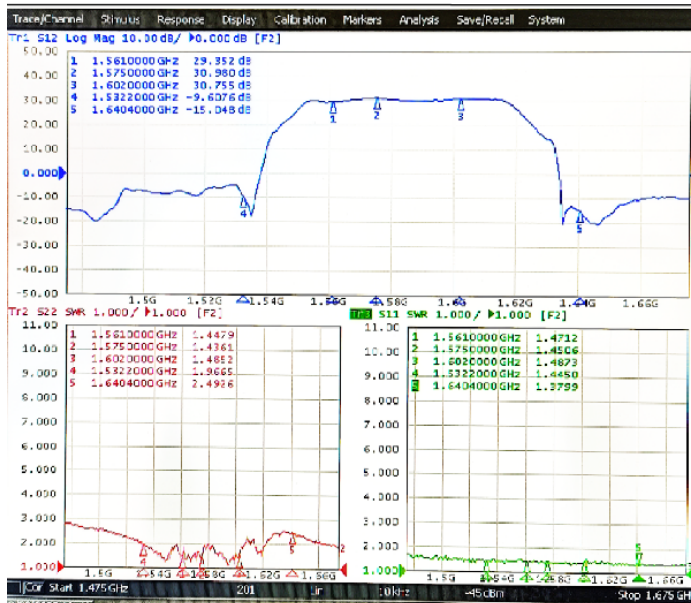
Tail



Out Side



Side



Material:

Antenna element: 25x25x4

Installation method: magnet

Cover: 50x39x16.9mm, ABS+PC Black

Cable: RG174 Copper Coaxial Cable 50ohm, Black

Connector: SMA-J

H.S Tube: Heat Shrink Tube

Notes:

Frequency Range: 1575.42Mhz

Band Width: 10MHz

Axial ratio: ≤4DB

Vswr: ≤2.0

Gain: 28±2DB

Impedance: 50 OHM

Polarization: RHCP

Noise Figure: ≤1.8DB

DC Voltage: 3-5V

DC Current: ≤25mA

Dielectric Size: 50x39x16.9

Working Temp.: -40°C ~ +85°C

The Assembly Of Each Component Should Be Firm And Reliable

The Signal Parameters Of The Finished Product Must Reach

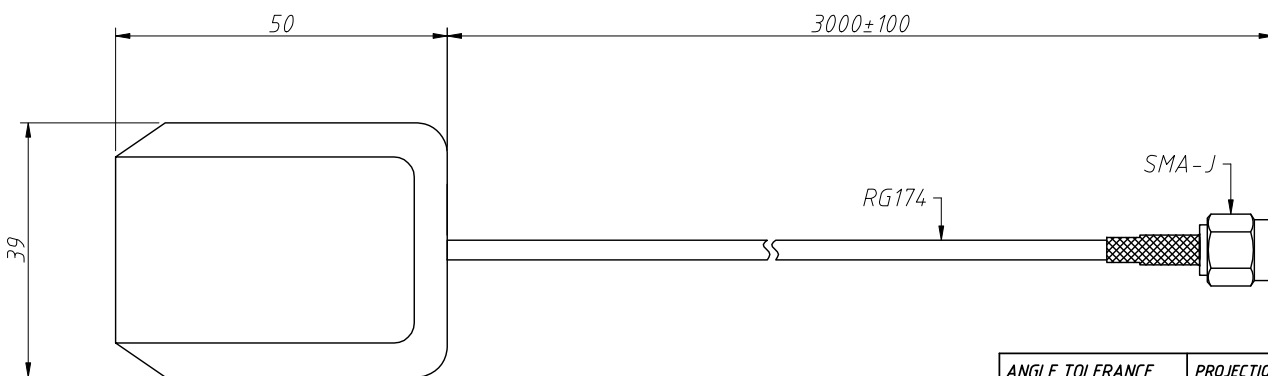
The Specified Value

The Product Needs To Be Packaged In Quantity According To

The Requirements, And There Should Be No Obvious Signs

During Transportation Phenomena Such As Compression

Deformation



ANGLE TOLERANCE	PROJECTION	Description:	GPS Active Antenna	
±3°				
GENERAL TOLERANCE	UNITS	mm	KLS P/N:	L-KLS1-GPS-YY07-RG174-L3M
.x ±0.30	SHEET SIZE	A4		
.xx ±0.20	Draw:	Song	2024-11-28	NingBo KLS ELECTRONIC CO.,L TD.
.xxx ±0.10	Check:	Daniel	2024-11-28	