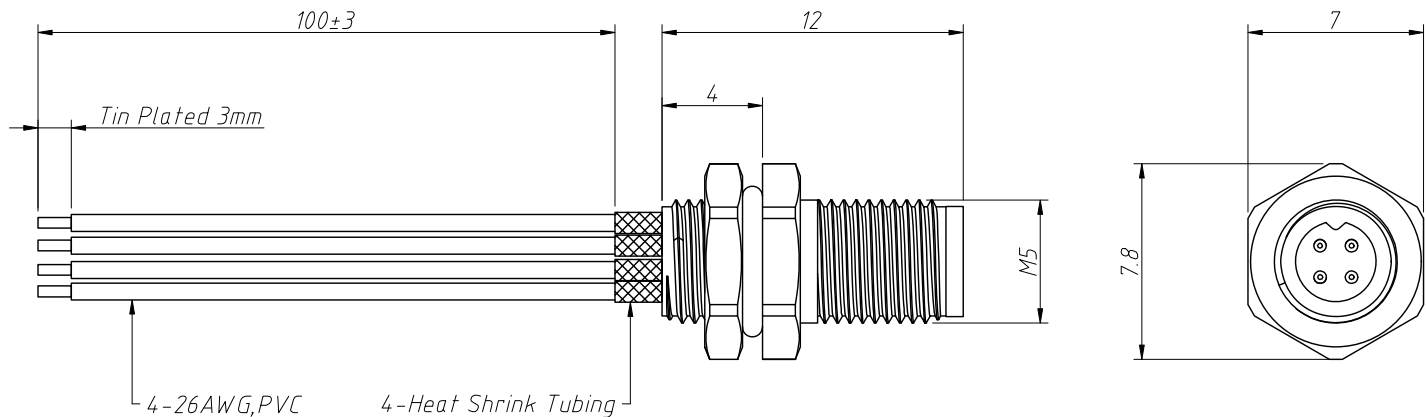


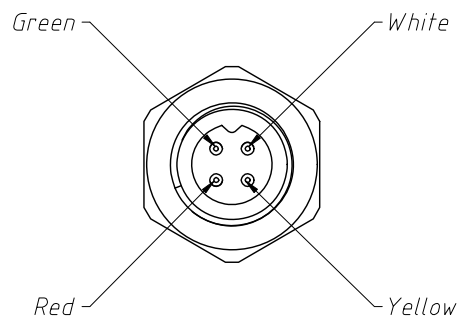
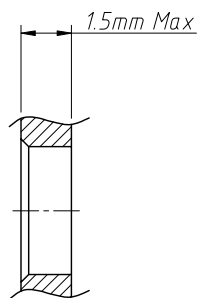
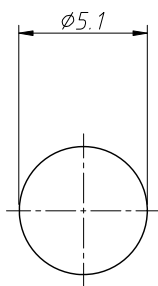
1 RoHS Compliance

REV	SYM	Revision Record	Appr.	Date
V0	KLS15011	New Version Release	Song	2024-08-16



Material:  
 Core: TPU+GF, Black  
 Shell: Brass, Nickel Plated  
 Pin: Phosphor Bronze, Gold Plating  
 Waterproof Ring: Fluororubber/Silicone

Electric:  
 Rated Current: 1A  
 Rated Voltage: 60V  
 Pulse High Voltage: 500V  
 Locking Method: M5×0.5, Screw Locking  
 Screw Torque: Recommended: 0.15Nm, 0.2Nm Max  
 Wiring Method: Welding  
 Temperature: -25°C ~ +80°C (Dynamic),  
 -40°C ~ +105°C (Static)  
 Insulation Resistance: 100M Ω Min  
 Contact Resistance: 6m Ω Max  
 Protection Level: IP67



Rear Panel Assembly  
 Recommend Holes Size

Order Information

L-KLS15-M5 A-D2 04-L100MM

RoHS  
 M5: Screw Type  
 Type: A-Coding  
 D2: PCB 180°, Panel  
 mount, Rear Lock, Male  
 Number of Contacts  
 Wire Length

ANGLE TOLERANCE	PROJECTION	Description:	Metal Circular Connector	
±3°				
GENERAL TOLERANCE	UNITS	mm	L-KLS15-M5A-D204-L100MM	
.x ±0.30	SHEET SIZE	A4		
.xx ±0.20	Draw:	Song	2024-08-16	
.xxx ±0.10	Check:	Daniel	2024-08-16	

NingBo KLS ELECTRONIC CO.,LTD.