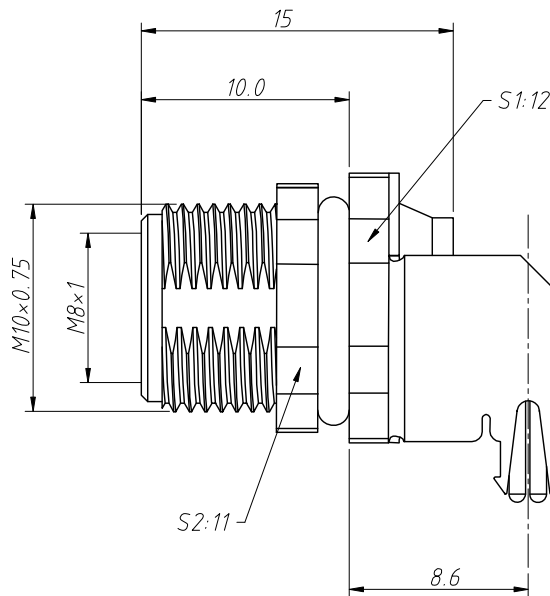
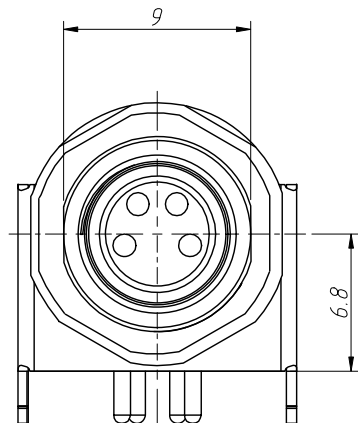


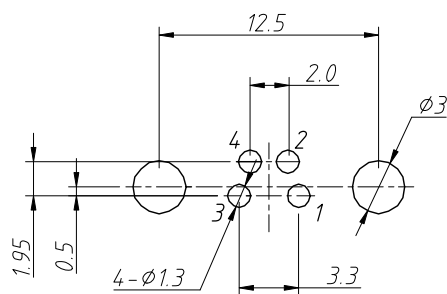
1 RoHS Compliance

6	7	8
REV	SYM	Revision Record
V0	KLS15012	New Version Release
		Appr. Song
		Date 2024-10-16

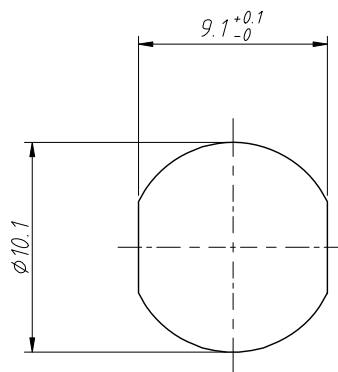


Material:
 Insulator:PA Black
 O-Ring:Rubber
 Outer Shell:Brass,Nickel Plated
 Pin:Phosphor Copper,G/F
 Hexagonal Nut:Brass,Nickel Plated
 Shield Shell:Brass,G/F

Electric:
 Rated Current:3A
 Durability:1000 mate/unmate cycles Min
 Pin Contact Resistance:10mΩ Max
 Insulation Resistance:100 MΩ Min
 Rated Temperature:-25°C ~ +80°C
 Salt Spray Test:48h Min
 Pin size:φ1.0mm
 Water Proof:IP67



PCB Layout(Front View)



Recommended Panel Cut-Out

ANGLE TOLERANCE	PROJECTION	Description:	Fixed Socket,PCB 90°, Panel mount,Front lock,Female
±3°			
GENERAL TOLERANCE	UNITS	mm	KLS P/N: L-KLS15-M8A-R104
.x ±0.30	SHEET SIZE	A4	
.xx ±0.20	Draw:	Song	2024-10-16
.xxx ±0.10	Check:	Daniel	2024-10-16



NingBo KLS ELECTRONIC CO.,L TD.